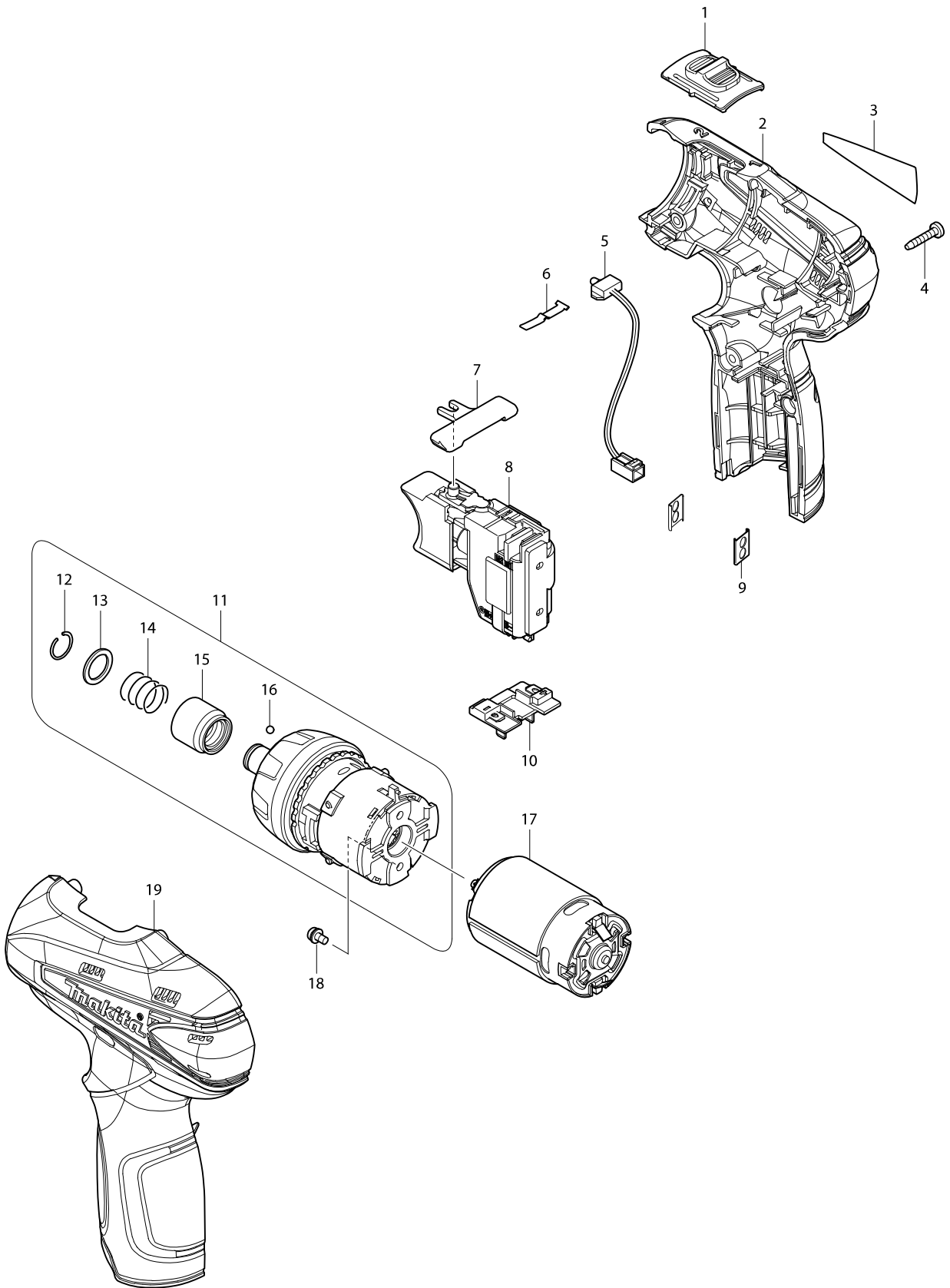


# Model No. DF030D CORDLESS DRIVER DRILL



# Model No. DF030D CORDLESS DRIVER DRILL

Item	Parts No.	Description	I/C	Qty	N/O	Sales	Purch.	Note
001	125461-4	SPEED CHANGE LEVER ASSEMBLY		1	*			
C10	231433-0	COMPRESSION SPRING 4		2	*			
001-1	126233-0	SPEED CHANGE LEVER ASSEMBLY	<	1				
C10	231433-0	COMPRESSION SPRING 4		2				
002	188498-2	HOUSING SET		1	*			
D10		INC. 19			*			
002-1	187147-8	HOUSING SET	X	1	*			
D10		INC. 19			*			
002-2	187359-3	HOUSING SET	O	1				
D10		INC. 19						
003	865041-1	DF030D NAME PLATE		1				
004	266130-9	TAPPING SCREW BIND PT 3X16		6				
005	631813-4	LED CIRCUIT		1	*			
006	232239-9	LEAF SPRING		1				
007	450504-6	F/R CHANGE LEVER		1				
008	650599-1	SWITCH C3HY-1A-LM		1	*			
008-1	650645-0	SWITCH C3HY-1A-LF1M	<	1	*			
008-2	650699-7	SWITCH C3HW-3A-LF1M	X	1				
009	345998-7	SET PLATE		2				
010	643830-2	TERMINAL		1				
011	125460-6	GEAR ASSEMBLY		1				
D10		INC. 12-16						
012	231965-7	RING SPRING 10		1				
013	267143-3	FLAT WASHER 11		1				
014	233005-7	COMPRESSION SPRING 13		1				
015	324919-2	BIT SLEEVE		1				
016	216019-1	STEEL BALL 3		2				
017	629853-4	DC MOTOR		1				
018	911003-8	PAN HEAD SCREW M3X6		2				
019	188498-2	HOUSING SET		1	*			
D10		INC. 2			*			
019-1	187147-8	HOUSING SET	X	1	*			
D10		INC. 2			*			
019-2	187359-3	HOUSING SET	O	1				
D10		INC. 2						
020	533020-4	LEAD ASS'Y		1				
021	533019-9	LEAD ASS'Y		1				
A01A	168467-9	HOLSTER		1				
A02A	***DC10WA	DC10WA BATTERY CHARGER		1				
A03A	194550-6	BATTERY BL1013 SET		2				
A04	784250-2	+ BIT 2-45		1	*			
A04-1	784202-3	PHILLIPS BIT 2-45	O	1				
A05A	824781-0	PLASTIC CASE		1				
A06A	824842-6	PLASTIC CARRYING CASE		1	*			
C10	417724-5	LATCH		2	*			
A06-1A	141104-0	PLASTIC CARRYING CASE COMPLETE	<	1				
C10	417724-5	LATCH		2				