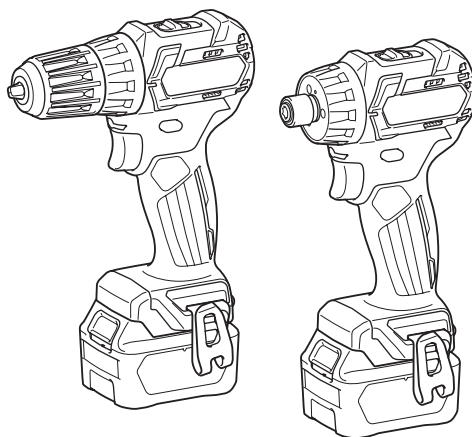




EN	Cordless Driver Drill	INSTRUCTION MANUAL	5
ID	Bor Obeng Tanpa Kabel	PETUNJUK PENGGUNAAN	12
VI	Máy khoan & vặn vít chạy pin	TÀI LIỆU HƯỚNG DẪN	19
TH	สว่านไขควงแบบไร้สาย	คู่มือการใช้งาน	26

DF332D
DF032D



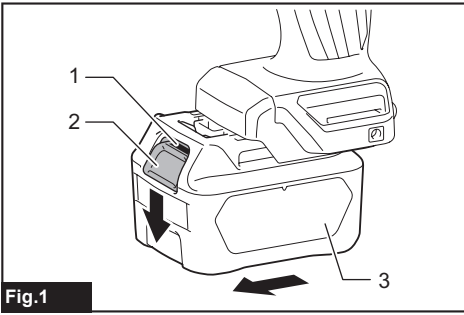


Fig.1

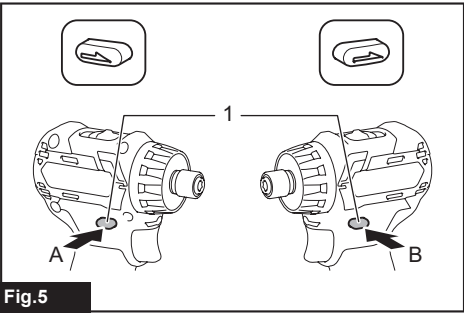


Fig.5

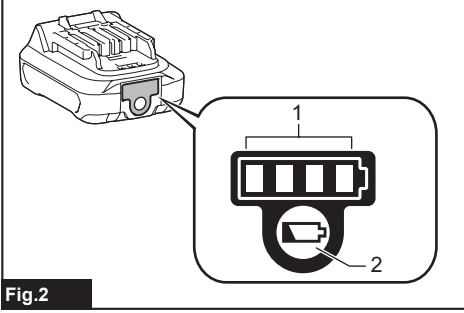


Fig.2

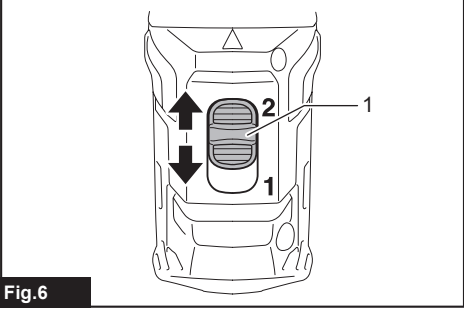


Fig.6

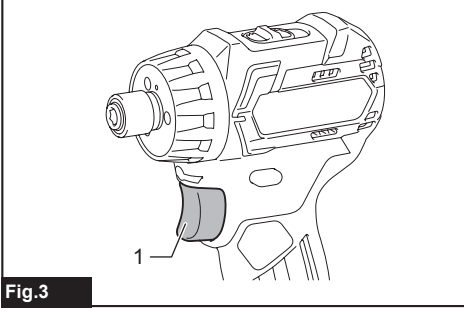


Fig.3

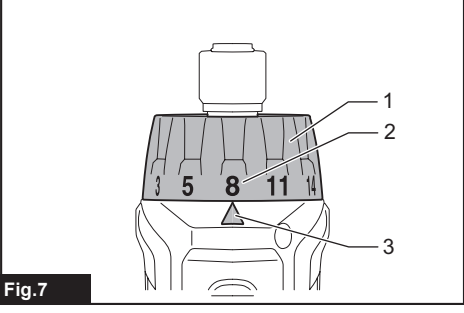


Fig.7

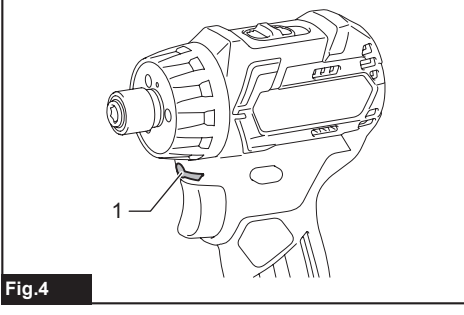


Fig.4

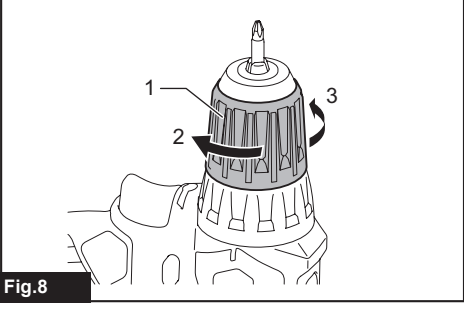


Fig.8

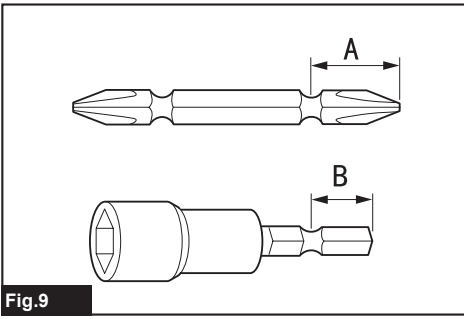


Fig.9

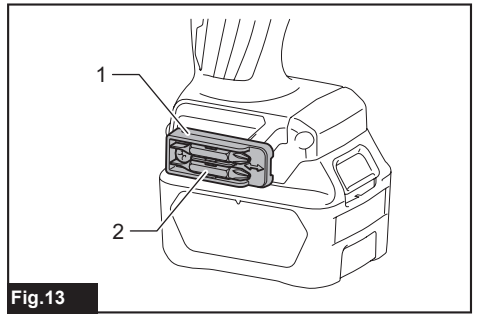


Fig.13

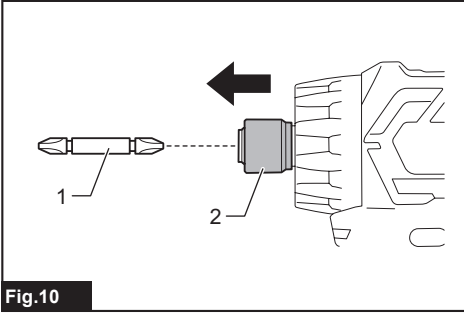


Fig.10

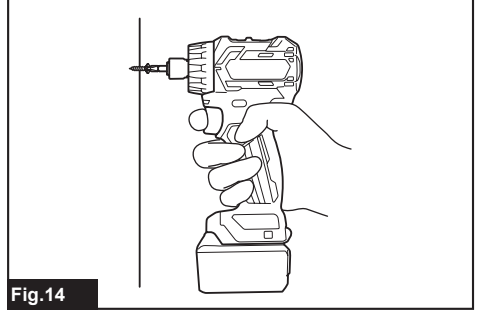


Fig.14

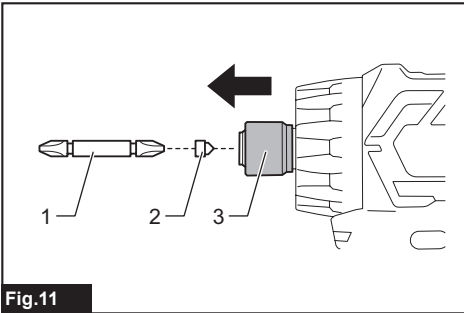


Fig.11

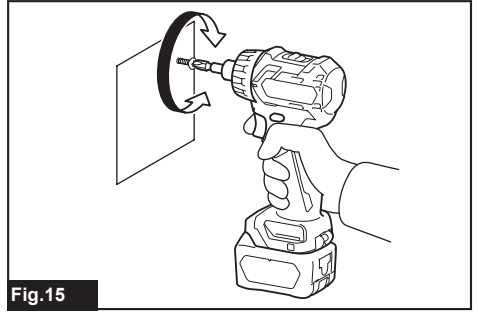


Fig.15

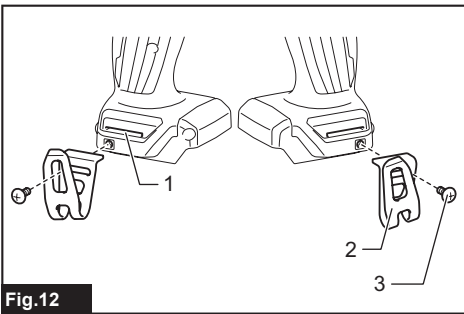


Fig.12

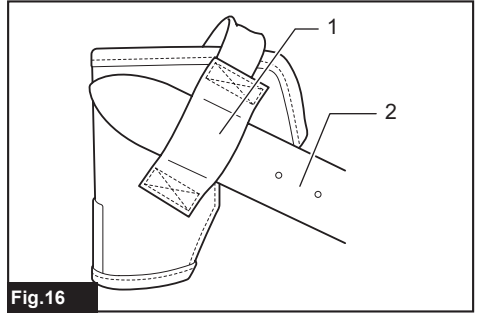


Fig.16

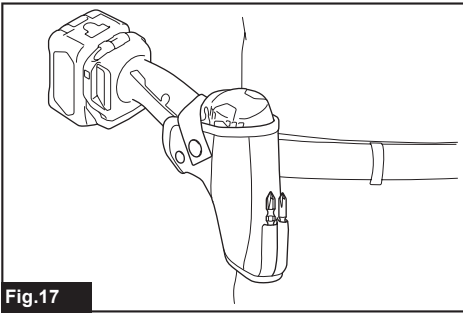


Fig.17

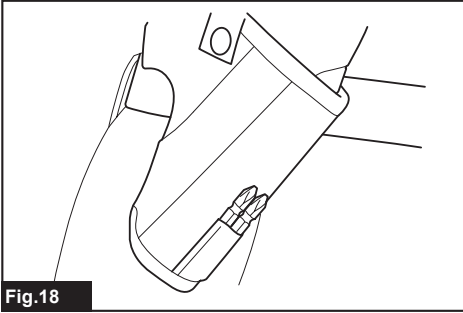


Fig.18

SPECIFICATIONS

Model:		DF332D		DF032D	
Drilling capacities	Steel	10 mm			
	Wood	28 mm			
Fastening capacities	Wood screw	5.1 mm x 63 mm			
	Machine screw	M6			
No load speed	High (2)	0 - 1,500 min ⁻¹			
	Low (1)	0 - 450 min ⁻¹			
Overall length		154 mm		124 mm	
Rated voltage		D.C. 10.8 V - 12 V max			
Battery cartridge		BL1016, BL1021B	BL1041B	BL1016, BL1021B	BL1041B
Net weight		1.0 kg	1.2 kg	0.88 kg	1.0 kg

- Due to our continuing program of research and development, the specifications herein are subject to change without notice.
- Specifications and battery cartridge may differ from country to country.
- Weight, with battery cartridge, according to EPTA-Procedure 01/2003

Symbols

The following show the symbols used for the equipment. Be sure that you understand their meaning before use.



Read instruction manual.



Only for EU countries
Do not dispose of electric equipment or battery pack together with household waste material!

In observance of the European Directives, on Waste Electric and Electronic Equipment and Batteries and Accumulators and Waste Batteries and Accumulators and their implementation in accordance with national laws, electric equipment and batteries and battery pack(s) that have reached the end of their life must be collected separately and returned to an environmentally compatible recycling facility.

Intended use

The tool is intended for drilling and screw driving in wood, metal and plastic.

General power tool safety warnings

⚠ WARNING: Read all safety warnings and all instructions. Failure to follow the warnings and instructions may result in electric shock, fire and/or serious injury.

Save all warnings and instructions for future reference.

The term "power tool" in the warnings refers to your mains-operated (corded) power tool or battery-operated (cordless) power tool.

Work area safety

1. **Keep work area clean and well lit.** Cluttered or dark areas invite accidents.
2. **Do not operate power tools in explosive atmospheres, such as in the presence of flammable liquids, gases or dust.** Power tools create sparks which may ignite the dust or fumes.
3. **Keep children and bystanders away while operating a power tool.** Distractions can cause you to lose control.

Electrical Safety

1. **Power tool plugs must match the outlet. Never modify the plug in any way. Do not use any adapter plugs with earthed (grounded) power tools.** Unmodified plugs and matching outlets will reduce risk of electric shock.
2. **Avoid body contact with earthed or grounded surfaces such as pipes, radiators, ranges and refrigerators.** There is an increased risk of electric shock if your body is earthed or grounded.
3. **Do not expose power tools to rain or wet conditions.** Water entering a power tool will increase the risk of electric shock.
4. **Do not abuse the cord. Never use the cord for carrying, pulling or unplugging the power tool. Keep cord away from heat, oil, sharp edges or moving parts.** Damaged or entangled cords increase the risk of electric shock.
5. **When operating a power tool outdoors, use an extension cord suitable for outdoor use.** Use of a cord suitable for outdoor use reduces the risk of electric shock.
6. **If operating a power tool in a damp location is unavoidable, use a residual current device (RCD) protected supply.** Use of an RCD reduces the risk of electric shock.

Personal Safety

1. **Stay alert, watch what you are doing and use**

common sense when operating a power tool.

Do not use a power tool while you are tired or under the influence of drugs, alcohol or medication. A moment of inattention while operating power tools may result in serious personal injury.

2. **Use personal protective equipment. Always wear eye protection.** Protective equipment such as dust mask, non-skid safety shoes, hard hat, or hearing protection used for appropriate conditions will reduce personal injuries.
3. **Prevent unintentional starting. Ensure the switch is in the off-position before connecting to power source and/or battery pack, picking up or carrying the tool.** Carrying power tools with your finger on the switch or energising power tools that have the switch on invites accidents.
4. **Remove any adjusting key or wrench before turning the power tool on.** A wrench or a key left attached to a rotating part of the power tool may result in personal injury.
5. **Do not overreach. Keep proper footing and balance at all times.** This enables better control of the power tool in unexpected situations.
6. **Dress properly. Do not wear loose clothing or jewellery. Keep your hair, clothing, and gloves away from moving parts.** Loose clothes, jewellery or long hair can be caught in moving parts.
7. **If devices are provided for the connection of dust extraction and collection facilities, ensure these are connected and properly used.** Use of dust collection can reduce dust-related hazards.

Power tool use and care

1. **Do not force the power tool. Use the correct power tool for your application.** The correct power tool will do the job better and safer at the rate for which it was designed.
2. **Do not use the power tool if the switch does not turn it on and off.** Any power tool that cannot be controlled with the switch is dangerous and must be repaired.
3. **Disconnect the plug from the power source and/or the battery pack from the power tool before making any adjustments, changing accessories, or storing power tools.** Such preventive safety measures reduce the risk of starting the power tool accidentally.
4. **Store idle power tools out of the reach of children and do not allow persons unfamiliar with the power tool or these instructions to operate the power tool.** Power tools are dangerous in the hands of untrained users.
5. **Maintain power tools. Check for misalignment or binding of moving parts, breakage of parts and any other condition that may affect the power tool's operation. If damaged, have the power tool repaired before use.** Many accidents are caused by poorly maintained power tools.
6. **Keep cutting tools sharp and clean.** Properly maintained cutting tools with sharp cutting edges are less likely to bind and are easier to control.
7. **Use the power tool, accessories and tool bits etc. in accordance with these instructions, taking into account the working conditions and the work to be performed.** Use of the power tool for operations different from those intended could

result in a hazardous situation.

Battery tool use and care

1. **Recharge only with the charger specified by the manufacturer.** A charger that is suitable for one type of battery pack may create a risk of fire when used with another battery pack.
2. **Use power tools only with specifically designed battery packs.** Use of any other battery packs may create a risk of injury and fire.
3. **When battery pack is not in use, keep it away from other metal objects, like paper clips, coins, keys, nails, screws or other small metal objects, that can make a connection from one terminal to another.** Shorting the battery terminals together may cause burns or a fire.
4. **Under abusive conditions, liquid may be ejected from the battery; avoid contact. If contact accidentally occurs, flush with water. If liquid contacts eyes, additionally seek medical help.** Liquid ejected from the battery may cause irritation or burns.

Service

1. **Have your power tool serviced by a qualified repair person using only identical replacement parts.** This will ensure that the safety of the power tool is maintained.
2. **Follow instruction for lubricating and changing accessories.**
3. **Keep handles dry, clean and free from oil and grease.**

Cordless driver drill safety warnings

1. **Use auxiliary handle(s), if supplied with the tool.** Loss of control can cause personal injury.
2. **Hold power tool by insulated gripping surfaces, when performing an operation where the cutting accessory may contact hidden wiring.** Cutting accessory contacting a "live" wire may make exposed metal parts of the power tool "live" and could give the operator an electric shock.
3. **Hold power tool by insulated gripping surfaces, when performing an operation where the fastener may contact hidden wiring.** Fasteners contacting a "live" wire may make exposed metal parts of the power tool "live" and could give the operator an electric shock.
4. **Always be sure you have a firm footing. Be sure no one is below when using the tool in high locations.**
5. **Hold the tool firmly.**
6. **Keep hands away from rotating parts.**
7. **Do not leave the tool running. Operate the tool only when hand-held.**
8. **Do not touch the drill bit or the workpiece immediately after operation; they may be extremely hot and could burn your skin.**
9. **Some material contains chemicals which may be toxic. Take caution to prevent dust inhalation and skin contact. Follow material supplier safety data.**

SAVE THESE INSTRUCTIONS.

⚠WARNING: DO NOT let comfort or familiarity with product (gained from repeated use) replace strict adherence to safety rules for the subject product. MISUSE or failure to follow the safety rules stated in this instruction manual may cause serious personal injury.

Important safety instructions for battery cartridge

1. Before using battery cartridge, read all instructions and cautionary markings on (1) battery charger, (2) battery, and (3) product using battery.
2. Do not disassemble battery cartridge.
3. If operating time has become excessively shorter, stop operating immediately. It may result in a risk of overheating, possible burns and even an explosion.
4. If electrolyte gets into your eyes, rinse them out with clear water and seek medical attention right away. It may result in loss of your eyesight.
5. Do not short the battery cartridge:
 - (1) Do not touch the terminals with any conductive material.
 - (2) Avoid storing battery cartridge in a container with other metal objects such as nails, coins, etc.
 - (3) Do not expose battery cartridge to water or rain.

A battery short can cause a large current flow, overheating, possible burns and even a breakdown.
6. Do not store the tool and battery cartridge in locations where the temperature may reach or exceed 50 °C (122 °F).
7. Do not incinerate the battery cartridge even if it is severely damaged or is completely worn out. The battery cartridge can explode in a fire.
8. Be careful not to drop or strike battery.
9. Do not use a damaged battery.
10. Follow your local regulations relating to disposal of battery.

SAVE THESE INSTRUCTIONS.

⚠CAUTION: Only use genuine Makita batteries. Use of non-genuine Makita batteries, or batteries that have been altered, may result in the battery bursting causing fires, personal injury and damage. It will also void the Makita warranty for the Makita tool and charger.

Tips for maintaining maximum battery life

1. Charge the battery cartridge before completely discharged. Always stop tool operation and charge the battery cartridge when you notice less tool power.
2. Never recharge a fully charged battery cartridge. Overcharging shortens the battery service life.

3. Charge the battery cartridge with room temperature at 10 °C - 40 °C (50 °F - 104 °F). Let a hot battery cartridge cool down before charging it.

FUNCTIONAL DESCRIPTION

⚠CAUTION: Always be sure that the tool is switched off and the battery cartridge is removed before adjusting or checking function on the tool.

Installing or removing battery cartridge

⚠CAUTION: Always switch off the tool before installing or removing of the battery cartridge.

⚠CAUTION: Hold the tool and the battery cartridge firmly when installing or removing battery cartridge. Failure to hold the tool and the battery cartridge firmly may cause them to slip off your hands and result in damage to the tool and battery cartridge and a personal injury.

► Fig.1: 1. Red indicator 2. Button 3. Battery cartridge

To remove the battery cartridge, slide it from the tool while sliding the button on the front of the cartridge.

To install the battery cartridge, align the tongue on the battery cartridge with the groove in the housing and slip it into place. Insert it all the way until it locks in place with a little click. If you can see the red indicator on the upper side of the button, it is not locked completely.

⚠CAUTION: Always install the battery cartridge fully until the red indicator cannot be seen. If not, it may accidentally fall out of the tool, causing injury to you or someone around you.

⚠CAUTION: Do not install the battery cartridge forcibly. If the cartridge does not slide in easily, it is not being inserted correctly.

Battery protection system

The tool is equipped with a battery protection system. This system automatically cuts off power to the motor to extend battery life. The tool will automatically stop during operation if the tool and/or battery are placed under one of the following conditions:

Overloaded:

The tool is operated in a manner that causes it to draw an abnormally high current.

In this situation, turn the tool off and stop the application that caused the tool to become overloaded. Then turn the tool on to restart.

If the tool does not start, the battery is overheated. In this situation, let the battery cool before turning the tool on again.

Low battery voltage:

The remaining battery capacity is too low and the tool

will not operate. If you turn the tool on, the motor runs again but stops soon. In this situation, remove and recharge the battery.

Indicating the remaining battery capacity

Only for battery cartridges with "B" at the end of the model number

► Fig.2: 1. Indicator lamps 2. Check button

Press the check button on the battery cartridge to indicate the remaining battery capacity. The indicator lamps light up for few seconds.

Indicator lamps		Remaining capacity
Lighted	Off	
■ ■ ■ ■	□	75% to 100%
■ ■ ■ □	□	50% to 75%
■ ■ □ □	□ □	25% to 50%
■ □ □ □	□ □ □ □	0% to 25%

NOTE: Depending on the conditions of use and the ambient temperature, the indication may differ slightly from the actual capacity.

Switch action

► Fig.3: 1. Switch trigger

CAUTION: Before inserting the battery cartridge into the tool, always check to see that the switch trigger actuates properly and returns to the "OFF" position when released.

To start the tool, simply pull the switch trigger. Tool speed is increased by increasing pressure on the switch trigger. Release the switch trigger to stop.

NOTE: The tool automatically stops if you keep pulling the switch trigger for about 6 minutes.

Lighting up the front lamp

► Fig.4: 1. Lamp

CAUTION: Do not look in the light or see the source of light directly.

Pull the switch trigger to light up the lamp. The lamp keeps on lighting while the switch trigger is being pulled. The lamp goes out approximately 10 seconds after releasing the switch trigger.

NOTE: Use a dry cloth to wipe the dirt off the lens of the lamp. Be careful not to scratch the lens of lamp, or it may lower the illumination.

NOTE: When the tool is overheated, the light flashes for one minute, and then the LED display goes off. In this case, cool down the tool before operating again.

Reversing switch action

► Fig.5: 1. Reversing switch lever

CAUTION: Always check the direction of rotation before operation.

CAUTION: Use the reversing switch only after the tool comes to a complete stop. Changing the direction of rotation before the tool stops may damage the tool.

CAUTION: When not operating the tool, always set the reversing switch lever to the neutral position.

This tool has a reversing switch to change the direction of rotation. Depress the reversing switch lever from the A side for clockwise rotation or from the B side for counterclockwise rotation.

When the reversing switch lever is in the neutral position, the switch trigger cannot be pulled.

Speed change

► Fig.6: 1. Speed change lever

CAUTION: Always set the speed change lever fully to the correct position. If you operate the tool with the speed change lever positioned halfway between the "1" side and "2" side, the tool may be damaged.

CAUTION: Do not use the speed change lever while the tool is running. The tool may be damaged.



Position of speed change lever	Speed	Torque	Applicable operation
1	Low	High	Heavy loading operation
2	High	Low	Light loading operation

To change the speed, switch off the tool first. Select the "2" side for high speed or "1" for low speed but high torque. Be sure that the speed change lever is set to the correct position before operation.

If the tool speed is coming down extremely during the operation with "2", slide the lever to the "1" and restart the operation.

Adjusting the fastening torque

► Fig.7: 1. Adjusting ring 2. Graduation 3. Arrow

The fastening torque can be adjusted in 21 steps by turning the adjusting ring. Align the graduations with the arrow on the tool body. You can get the minimum fastening torque at 1 and maximum torque at  marking. The clutch will slip at various torque levels when set at the number 1 to 20. The clutch does not work at the  marking.

Before actual operation, drive a trial screw into your material or a piece of duplicate material to determine which torque level is required for a particular application.

The following shows the rough guide of the relationship between the screw size and graduation.

Graduation		1	2	3	4	5	6	7	8	9	10	11	12	13	14	15	16	17	18	19	20	
Machine screw		M4				M5								M6								
Wood screw	Soft wood (e.g. pine)	-				φ3.5 x 22				φ4.1x 38				-								
	Hard wood (e.g. lauan)	-				φ3.5 x 22								φ4.1x 38				-				

ASSEMBLY

CAUTION: Always be sure that the tool is switched off and the battery cartridge is removed before carrying out any work on the tool.

Installing or removing driver bit/drill bit

For Model DF332D (optional accessory)

► Fig.8: 1. Sleeve 2. Close 3. Open

Turn the sleeve counterclockwise to open the chuck jaws. Place the driver bit/drill bit in the chuck as far as it will go. Turn the sleeve clockwise to tighten the chuck. To remove the driver bit/drill bit, turn the sleeve counterclockwise.

Installing or removing driver bit/socket bit

For Model DF032D (optional accessory)

► Fig.9

Use only driver bit/socket bit that has inserting portion shown in the figure. Do not use any other driver bit/socket bit.

For tool with shallow driver bit hole

A=12mm B=9mm	Use only these type of driver bit. Follow the procedure 1. (Note) Bit-piece is not necessary.
-----------------	---

For tool with deep driver bit hole

A=17mm B=14mm	To install these types of driver bits, follow the procedure 1.
A=12mm B=9mm	To install these types of driver bits, follow the procedure 2. (Note) Bit-piece is necessary for installing the bit.

- To install the driver bit, pull the sleeve in the direction of the arrow and insert the driver bit into the sleeve as far as it will go.

Then release the sleeve to secure the driver bit.

► Fig.10: 1. Driver bit 2. Sleeve

- To install the driver bit, pull the sleeve in the direction of the arrow and insert the bit-piece and driver bit into the sleeve as far as it will go. The bit-piece should be inserted into the sleeve with its pointed end facing in. Then release the sleeve to secure the driver bit.

► Fig.11: 1. Driver bit 2. Bit-piece 3. Sleeve

To remove the driver bit, pull the sleeve in the direction of the arrow and pull the driver bit out.

NOTE: If the driver bit is not inserted deep enough into the sleeve, the sleeve will not return to its original position and the driver bit will not be secured. In this case, try re-inserting the bit according to the instructions above.

NOTE: After inserting the driver bit, make sure that it is firmly secured. If it comes out, do not use it.

Installing hook

► Fig.12: 1. Groove 2. Hook 3. Screw

The hook is convenient for temporarily hanging the tool. This can be installed on either side of the tool. To install the hook, insert it into a groove in the tool housing on either side and then secure it with a screw. To remove, loosen the screw and then take it out.

Installing driver bit holder

Optional accessory

► Fig.13: 1. Driver bit holder 2. Driver bit

Fit the driver bit holder into the protrusion at the tool foot on either right or left side and secure it with a screw. When not using the driver bit, keep it in the driver bit holders. Driver bits 45 mm-long can be kept there.

OPERATION

CAUTION: Always insert the battery cartridge all the way until it locks in place. If you can see the red part on the upper side of the button, it is not locked completely. Insert it fully until the red part cannot be seen. If not, it may accidentally fall out of the tool, causing injury to you or someone around you.

CAUTION: When the speed comes down extremely, reduce the load or stop the tool to avoid the tool damage.

Hold the tool firmly with one hand on the grip and the other hand on the bottom of the battery cartridge to control the twisting action.

► Fig.14

Screwdriving operation


CAUTION: Adjust the adjusting ring to the proper torque level for your work.

CAUTION: Make sure that the driver bit is inserted straight in the screw head, or the screw and/or driver bit may be damaged.

Place the point of the driver bit in the screw head and apply pressure to the tool. Start the tool slowly and then increase the speed gradually. Release the switch trigger as soon as the clutch cuts in.

NOTE: When driving wood screw, pre-drill a pilot hole 2/3 the diameter of the screw. It makes driving easier and prevents splitting of the workpiece.

Drilling operation

First, turn the adjusting ring so that the pointer points to the  marking. Then proceed as follows.

Drilling in wood

When drilling in wood, the best results are obtained with wood drills equipped with a guide screw. The guide screw makes drilling easier by pulling the drill bit into the workpiece.

Drilling in metal

To prevent the drill bit from slipping when starting a hole, make an indentation with a center-punch and hammer at the point to be drilled. Place the point of the drill bit in the indentation and start drilling. Use a cutting lubricant when drilling metals. The exceptions are iron and brass which should be drilled dry.

CAUTION: Pressing excessively on the tool will not speed up the drilling. In fact, this excessive pressure will only serve to damage the tip of your drill bit, decrease the tool performance and shorten the service life of the tool.

CAUTION: Hold the tool firmly and exert care when the drill bit begins to break through the workpiece. There is a tremendous force exerted on the tool/drill bit at the time of hole break through.

CAUTION: A stuck drill bit can be removed simply by setting the reversing switch to reverse rotation in order to back out. However, the tool may back out abruptly if you do not hold it firmly.

CAUTION: Always secure small workpieces in a vise or similar hold-down device.


CAUTION: If the tool is operated continuously until the battery cartridge has discharged, allow the tool to rest for 15 minutes before proceeding with a fresh battery.

Using the tool as a hand screwdriver

► Fig.15

Switch off the tool.

Move the reversing switch lever to the neutral position.

Turn the adjusting ring so that the arrow points to the  marking.

Turn the tool.

NOTE: This use is convenient for checking the screwdriving.

NOTE: Do not use the tool for work requiring excessive force, such as tightening bolt or removing rusted screws.

Using holster

Optional accessory

CAUTION: When using the holster, remove a driver bit/drill bit from the tool.

CAUTION: Turn off the tool and wait until it comes to a complete stop before placing it in the holster.

Be sure to close the holster securely with the holster button so that it holds the tool firmly.

1. Thread a waist belt or similar through holster holder.

► Fig.16: 1. Holster holder 2. Waist belt

2. Put the tool in the holster and lock it with the holster button.

► Fig.17

► Fig.18

You can keep two driver bits at the front of the holster.

MAINTENANCE

⚠ CAUTION: Always be sure that the tool is switched off and the battery cartridge is removed before attempting to perform inspection or maintenance.

NOTICE: Never use gasoline, benzine, thinner, alcohol or the like. Discoloration, deformation or cracks may result.

To maintain product SAFETY and RELIABILITY, repairs, any other maintenance or adjustment should be performed by Makita Authorized or Factory Service Centers, always using Makita replacement parts.

OPTIONAL ACCESSORIES

⚠ CAUTION: These accessories or attachments are recommended for use with your Makita tool specified in this manual. The use of any other accessories or attachments might present a risk of injury to persons. Only use accessory or attachment for its stated purpose.

If you need any assistance for more details regarding these accessories, ask your local Makita Service Center.

- Drill bits
- Driver bits
- Socket bits
- Bit piece
- Driver bit holder
- Holster
- Plastic carrying case
- Hook
- Makita genuine battery and charger

NOTE: Some items in the list may be included in the tool package as standard accessories. They may differ from country to country.

SPEKIFIKASI

Model:		DF332D	DF032D
Kapasitas pengeboran	Baja	10 mm	
	Kayu	28 mm	
Kapasitas pengencangan	Sekrup kayu	5,1 mm x 63 mm	
	Sekrup mesin	M6	
Kecepatan tanpa beban	Tinggi (2)	0 - 1.500 min ⁻¹	
	Rendah (1)	0 - 450 min ⁻¹	
Panjang keseluruhan		154 mm	124 mm
Tegangan terukur		D.C. 10,8 V - 12 V maks	
Kartrid baterai		BL1016, BL1021B	BL1016, BL1021B
Berat bersih		1,0 kg	1,0 kg

- Karena kesinambungan program penelitian dan pengembangan kami, spesifikasi yang disebutkan di sini dapat berubah tanpa pemberitahuan.
- Spesifikasi dan kartrid baterai dapat berbeda dari satu negara ke negara lainnya.
- Berat, dengan kartrid baterai, menurut Prosedur EPTA 01/2003

Simbol

Berikut ini adalah simbol-simbol yang digunakan pada peralatan ini. Pastikan Anda mengerti makna masing-masing simbol sebelum menggunakan alat.



Baca petunjuk penggunaan.



Hanya untuk negara-negara UE
 Jangan membuang peralatan listrik atau paket baterai bersama-sama dengan bahan limbah rumah tangga!
 Dengan memerhatikan Petunjuk Eropa, tentang Limbah Peralatan Listrik dan Elektronik serta Baterai dan Akumulator serta Limbah Baterai dan Akumulator dan pelaksanaannya sesuai dengan ketentuan hukum nasional, peralatan listrik dan baterai dan paket baterai yang telah habis umur pakainya harus dikumpulkan secara terpisah dan dikembalikan ke fasilitas daur ulang yang kompatibel secara lingkungan.

Penggunaan

Mesin ini digunakan untuk mengebor dan memasang sekrup pada kayu, logam dan plastik.

Peringatan keselamatan umum mesin listrik

⚠ PERINGATAN: Bacalah semua peringatan keselamatan dan semua petunjuk. Kelalaian mematuhi peringatan dan petunjuk dapat menyebabkan sengatan listrik, kebakaran dan/atau cedera serius.

Simpanlah semua peringatan dan petunjuk untuk acuan di masa depan.

Istilah "mesin listrik" dalam semua peringatan mengacu pada mesin listrik yang dijalankan dengan sumber listrik jala-jala (berkabel) atau baterai (tanpa kabel).

Keselamatan tempat kerja

1. **Jaga tempat kerja selalu bersih dan berpenerangan cukup.** Tempat kerja yang berantakan dan gelap mengundang kecelakaan.
2. **Jangan gunakan mesin listrik dalam lingkungan yang mudah meledak, misalnya jika ada cairan, gas, atau debu yang mudah menyala.** Mesin listrik menimbulkan bunga api yang dapat menyala debu atau uap tersebut.
3. **Jauhkan anak-anak dan orang lain saat menggunakan mesin listrik.** Bila perhatian terpecah, anda dapat kehilangan kendali.

Keamanan Kelistrikan

1. **Steker mesin listrik harus cocok dengan stopkontak. Jangan sekali-kali mengubah steker dengan cara apa pun. Jangan menggunakan steker adaptor dengan mesin listrik turbin (dibumikan).** Steker yang tidak diubah dan stopkontak yang cocok akan mengurangi risiko sengatan listrik.
2. **Hindari sentuhan tubuh dengan permukaan turbin atau yang dibumikan seperti pipa, radiator, kompor, dan kulkas.** Risiko sengatan listrik bertambah jika tubuh Anda terbumikan atau dibumikan.
3. **Jangan membiarkan mesin listrik kehujanan atau kebasahan.** Air yang masuk ke dalam mesin listrik akan meningkatkan risiko sengatan listrik.
4. **Jangan menyalahgunakan kabel. Jangan sekali-kali menggunakan kabel untuk membawa, menarik, atau mencabut mesin**

listrik dari stopkontak. Jauhkan kabel dari panas, minyak, tepian tajam, atau bagian yang bergerak. Kabel yang rusak atau kusut memperbesar risiko sengatan listrik.

5. **Bila menggunakan mesin listrik di luar ruangan, gunakan kabel ekstensi yang sesuai untuk penggunaan di luar ruangan.** Penggunaan kabel yang sesuai untuk penggunaan luar ruangan mengurangi risiko sengatan listrik.
6. **Jika mengoperasikan mesin listrik di lokasi lembap tidak terhindarkan, gunakan pasokan daya yang dilindungi peranti imbasan arus (residual current device - RCD).** Penggunaan RCD mengurangi risiko sengatan listrik.

Keselamatan Diri

1. **Jaga kewaspadaan, perhatikan pekerjaan Anda dan gunakan akal sehat bila menggunakan mesin listrik. Jangan menggunakan mesin listrik saat Anda lelah atau di bawah pengaruh obat bius, alkohol, atau obat.** Sekejap saja lalai saat menggunakan mesin listrik dapat menyebabkan cedera badan serius.
2. **Gunakan alat pelindung diri. Selalu gunakan pelindung mata.** Peralatan pelindung seperti masker debu, sepatu pengaman anti-selip, helm pengaman, atau pelindung telinga yang digunakan untuk kondisi yang sesuai akan mengurangi risiko cedera badan.
3. **Cegah penyalaan yang tidak disengaja. Pastikan bahwa sakelar berada dalam posisi mati (off) sebelum menghubungkan mesin ke sumber daya dan/atau paket baterai, atau mengangkat atau membawanya.** Membawa mesin listrik dengan jari Anda pada sakelarnya atau mengalirkan listrik pada mesin listrik yang sakelarnya hidup (on) akan mengundang kecelakaan.
4. **Lepaskan kunci-kunci penyetel sebelum menghidupkan mesin listrik.** Kunci-kunci yang masih terpasang pada bagian mesin listrik yang berputar dapat menyebabkan cedera.
5. **Jangan meraih terlalu jauh. Jagalah pijakan dan keseimbangan sepanjang waktu.** Hal ini memungkinkan kendali yang lebih baik atas mesin listrik dalam situasi yang tidak diharapkan.
6. **Kenakan pakaian dengan baik. Jangan memakai pakaian yang kedodoran atau perhiasan. Jaga jarak antara rambut, pakaian, dan sarung tangan Anda dengan bagian mesin yang bergerak.** Pakaian kedodoran, perhiasan, atau rambut panjang dapat tersangkut pada bagian yang bergerak.
7. **Jika tersedia fasilitas untuk menghisap dan mengumpulkan debu, pastikan fasilitas tersebut terhubung listrik dan digunakan dengan baik.** Penggunaan pembersih debu dapat mengurangi bahaya yang terkait dengan debu.

Penggunaan dan pemeliharaan mesin listrik

1. **Jangan memaksa mesin listrik. Gunakan mesin listrik yang tepat untuk keperluan Anda.** Mesin listrik yang tepat akan menuntaskan pekerjaan dengan lebih baik dan aman pada kecepatan sesuai rancangannya.
2. **Jangan gunakan mesin listrik jika sakelar**

tidak dapat menyalakan dan mematakannya.

Mesin listrik yang tidak dapat dikendalikan dengan sakelarnya adalah berbahaya dan harus diperbaiki.

3. **Cabut steker dari sumber listrik dan/atau paket baterai dari mesin listrik sebelum melakukan penyetelan, penggantian aksesoris, atau menyimpan mesin listrik.** Langkah keselamatan preventif tersebut mengurangi risiko hidupnya mesin secara tak sengaja.
4. **Simpan mesin listrik jauh dari jangkauan anak-anak dan jangan biarkan orang yang tidak paham mengenai mesin listrik tersebut atau petunjuk ini menggunakan mesin listrik.** Mesin listrik sangat berbahaya di tangan pengguna yang tak terlatih.
5. **Rawatlah mesin listrik. Periksa apakah ada bagian bergerak yang tidak lurus atau macet, bagian yang pecah dan kondisi lain yang dapat memengaruhi penggunaan mesin listrik. Jika rusak, perbaiki dahulu mesin listrik sebelum digunakan.** Banyak kecelakaan disebabkan oleh kurangnya pemeliharaan mesin listrik.
6. **Jaga agar mesin pemotong tetap tajam dan bersih.** Mesin pemotong yang terawat baik dengan mata pemotong yang tajam tidak mudah macet dan lebih mudah dikendalikan.
7. **Gunakan mesin listrik, aksesoris, dan mata mesin, dll. sesuai dengan petunjuk ini, dengan memperhitungkan kondisi kerja dan jenis pekerjaan yang dilakukan.** Penggunaan mesin listrik untuk penggunaan yang lain dari peruntukan dapat menimbulkan situasi berbahaya.

Penggunaan dan pemeliharaan mesin bertenaga baterai

1. **Isi ulang baterai hanya dengan pengisi daya yang ditentukan oleh pabrikan.** Pengisi daya yang cocok untuk satu jenis paket baterai dapat menimbulkan risiko kebakaran ketika digunakan untuk paket baterai yang lain.
2. **Gunakan mesin listrik hanya dengan paket baterai yang telah ditentukan secara khusus.** Penggunaan paket baterai lain dapat menimbulkan risiko cedera dan kebakaran.
3. **Ketika paket baterai tidak digunakan, jauhkan dari benda logam lain, seperti penjepit kertas, uang logam, kunci, paku, sekrup atau benda logam kecil lainnya, yang dapat menghubungkan satu terminal ke terminal lain.** Hubungan singkat terminal baterai dapat menyebabkan luka bakar atau kebakaran.
4. **Pemakaian yang salah, dapat menyebabkan keluarnya cairan dari baterai; hindari kontak. Jika terjadi kontak secara tidak sengaja, bilas dengan air. Jika cairan mengenai mata, cari bantuan medis.** Cairan yang keluar dari baterai bisa menyebabkan iritasi atau luka bakar.

Servis

1. **Berikan mesin listrik untuk diperbaiki hanya kepada oleh teknisi yang berkualifikasi dengan menggunakan hanya suku cadang pengganti yang serupa.** Hal ini akan menjamin terjaganya keamanan mesin listrik.
2. **Patuhi petunjuk pelumasan dan penggantian aksesoris.**

3. Jagalah agar gagang kering, bersih, dan bebas dari minyak dan gemuk.

Peringatan keselamatan bor obeng tanpa kabel

1. Gunakan gagang tambahan, jika disertakan bersama mesin ini. Kehilangan kendali dapat menyebabkan cedera.
2. Pegang mesin listrik pada permukaan genggam yang terisolasi saat melakukan pekerjaan bila aksesoris pemotong mungkin bersentuhan dengan kawat tersembunyi. Aksesoris pemotong yang menyentuh kawat "hidup" dapat menyebabkan bagian logam pada mesin teraliri arus listrik dan menyengat pengguna.
3. Pegang mesin listrik pada permukaan genggam yang terisolasi saat melakukan pekerjaan bila pengencang mungkin bersentuhan dengan kawat tersembunyi. Pengencang yang menyentuh kawat "hidup" dapat menyebabkan bagian logam pada mesin teraliri arus listrik dan menyengat pengguna.
4. Selalu pastikan Anda memiliki pijakan kuat. Pastikan tidak ada orang di bawah Anda ketika menggunakan mesin di lokasi tinggi.
5. Pegang mesin kuat-kuat.
6. Jauhkan tangan dari bagian yang berputar.
7. Jangan tinggalkan mesin dalam keadaan hidup. Jalankan mesin hanya ketika digenggam tangan.
8. Jangan menyentuh mata bor atau benda kerja segera setelah pengoperasian; suhunya mungkin masih sangat panas dan dapat membakar kulit Anda.
9. Bahan tertentu mengandung zat kimia yang mungkin beracun. Hindari menghirup debu dan persentuhan dengan kulit. Ikuti data keselamatan bahan dari pemasok.

SIMPAN PETUNJUK INI.

PERINGATAN: JANGAN biarkan kenyamanan atau terbiasanya Anda dengan produk (karena penggunaan berulang) mengurangi kepatuhan yang ketat terhadap aturan keselamatan untuk produk yang terkait. PENYALAHGUNAAN atau kelalaian mematuhi kaidah keselamatan yang tertera dalam petunjuk ini dapat menyebabkan cedera badan serius.

Petunjuk keselamatan penting untuk kartrid baterai

1. Sebelum menggunakan kartrid baterai, bacalah semua petunjuk dan penandaan pada (1) pengisi daya baterai, (2) baterai, dan (3) produk yang menggunakan baterai.
2. Jangan membongkar kartrid baterai.
3. Jika waktu beroperasinya menjadi sangat singkat, segera hentikan penggunaan. Hal tersebut dapat menimbulkan risiko panas berlebih, kemungkinan mengalami luka bakar atau bahkan terjadi ledakan.

4. Jika elektrolit mengenai mata Anda, basuh dengan air bersih dan segera cari pertolongan medis. Hal tersebut dapat mengakibatkan hilangnya kemampuan penglihatan Anda.
5. Jangan menghubungkan terminal kartrid baterai:
 - (1) Jangan menyentuh terminal dengan bahan penghantar listrik apa pun.
 - (2) Hindari menyimpan kartrid baterai pada wadah yang berisi benda logam lain seperti paku, uang logam, dsb.
 - (3) Jangan membiarkan baterai terkena air atau kehujanan.Hubungan singkat baterai dapat menyebabkan aliran arus listrik yang besar, panas berlebih, kemungkinan mengalami luka bakar dan bahkan kerusakan pada baterai.
6. Jangan menyimpan mesin dan kartrid baterai pada lokasi dengan suhu yang bisa mencapai atau melebihi 50 °C.
7. Jangan membuang kartrid baterai di tempat pembakaran sampah walaupun benar-benar rusak atau tidak bisa digunakan sama sekali. Kartrid baterai bisa meledak jika terbakar.
8. Berhati-hatilah jangan sampai baterai jatuh atau terbentur.
9. Jangan menggunakan baterai yang rusak.
10. Patuhi peraturan setempat yang berkaitan dengan pembuangan baterai.

SIMPAN PETUNJUK INI.

PERHATIAN: Gunakan baterai asli Makita. Penggunaan baterai Makita yang tidak asli, atau baterai yang sudah diubah, akan mengakibatkan baterai mudah terbakar, cedera dan kerusakan. Akan menghilangkan garansi Makita pada pengisi daya dan alat Makita.

Tip untuk menjaga agar umur pemakaian baterai maksimum

1. Isi ulang kartrid baterai sebelum habis sama sekali. Selalu hentikan penggunaan mesin dan ganti kartrid baterai jika Anda melihat bahwa mesin kurang tenaga.
2. Jangan pernah mengisi ulang kartrid baterai yang sudah diisi penuh. Pengisian ulang yang berlebih memperpendek umur pemakaian baterai.
3. Isi ulang kartrid baterai pada suhu ruangan 10 °C - 40 °C. Biarkan kartrid baterai yang panas menjadi dingin terlebih dahulu sebelum diisi ulang.

DESKRIPSI FUNGSI

PERHATIAN: Selalu pastikan bahwa mesin dimatikan dan kartrid baterai dilepas sebelum menyetel atau memeriksa kerja mesin.

Memasang atau melepas baterai

PERHATIAN: Selalu matikan mesin sebelum memasang atau melepas kartrid baterai.

PERHATIAN: Pegang mesin dan kartrid baterai kuat-kuat saat memasang atau melepas kartrid baterai. Kelalaian untuk memegang mesin dan kartrid baterai kuat-kuat bisa menyebabkan keduanya tergelincir dari tangan Anda dan mengakibatkan kerusakan pada mesin dan kartrid baterai dan cedera diri.

- **Gbr.1:** 1. Indikator berwarna merah 2. Tombol 3. Kartrid baterai

Untuk melepas kartrid baterai, geser dari mesin sambil menggeser tombol pada bagian depan kartrid.

Untuk memasang kartrid baterai, sejajarkan lidah kartrid baterai dengan alur pada rumah dan masukkan ke dalam tempatnya. Masukkan seluruhnya sampai terkunci pada tempatnya dan terdengar bunyi klik kecil. Jika Anda bisa melihat indikator berwarna merah pada sisi atas tombol, berarti tidak terkunci sepenuhnya.

PERHATIAN: Selalu pasang kartrid baterai sepenuhnya sampai indikator berwarna merah tidak terlihat. Jika tidak, bisa terlepas dari mesin secara tidak sengaja, menyebabkan luka pada Anda atau orang di sekitar Anda.

PERHATIAN: Jangan memasang kartrid baterai secara paksa. Jika kartrid tidak bergeser dengan mudah, berarti tidak dimasukkan dengan benar.

Sistem perlindungan baterai

Mesin ini dilengkapi dengan sistem perlindungan baterai. Sistem ini memutus daya ke motor secara otomatis untuk memperpanjang umur pemakaian baterai.

Mesin akan berhenti saat penggunaan saat mesin dan/atau baterai berada dalam salah satu kondisi berikut ini:

Kelebihan beban:

Mesin dijalankan dengan cara yang menyebabkannya menarik arus tinggi yang tidak normal. Untuk situasi ini, matikan mesin dan hentikan pekerjaan yang menyebabkan mesin mengalami kelebihan beban. Kemudian, nyalakan mesin untuk kembali memulai pekerjaan.

Jika mesin tidak menyala, baterai mengalami kelebihan panas. Untuk situasi ini, biarkan baterai mendingin sebelum kembali menyalakan mesin.

Tegangan baterai rendah:

Kapasitas baterai yang tersisa terlalu rendah dan mesin tidak akan beroperasi. Jika Anda menyalakan mesin, motor akan menyala lagi tetapi segera berhenti. Untuk situasi ini, lepas dan isi ulang baterai.

Mengindikasikan kapasitas baterai yang tersisa

Hanya untuk kartrid baterai dengan huruf "B" pada akhir nomor model

- **Gbr.2:** 1. Lampu indikator 2. Tombol pemeriksaan

Tekan tombol pemeriksaan pada kartrid baterai untuk melihat kapasitas baterai yang tersisa. Lampu indikator menyala selama beberapa detik.

Lampu indikator		Kapasitas yang tersisa
Menyala	Mati	
		75% hingga 100%
		50% hingga 75%
		25% hingga 50%
		0% hingga 25%

CATATAN: Tergantung kondisi penggunaan dan suhu lingkungannya, penunjukkan mungkin saja sedikit berbeda dari kapasitas sebenarnya.

Kerja sakelar

- **Gbr.3:** 1. Picu sakelar

PERHATIAN: Sebelum memasukkan kartrid baterai pada mesin, pastikan picu saklar berfungsi dengan baik dan kembali ke posisi "OFF" saat dilepas.

Untuk menjalankan mesin, cukup tarik picu saklarnya. Kecepatan mesin meningkat dengan menambah tekanan pada picu saklar. Lepaskan picu sakelar untuk berhenti.

CATATAN: Mesin akan berhenti secara otomatis jika Anda tetap menarik picu sakelar selama kira-kira 6 menit.

Menyalakan lampu depan

- **Gbr.4:** 1. Lampu

PERHATIAN: Jangan melihat lampu atau sumber cahaya secara langsung.

Tarik picu saklar untuk menyalakan lampu. Lampu tetap menyala selama picu saklar ditarik. Lampu akan padam kira-kira 10 detik setelah melepas picu saklar.

CATATAN: Gunakan kain kering untuk mengelap kotoran dari lensa lampu. Hati-hati jangan sampai menggores lensa lampu, atau hal tersebut dapat menurunkan tingkat penerangannya.

CATATAN: Saat mesin mengalami kelebihan panas, lampu berkedip selama satu menit, dan kemudian tampilan LED akan padam. Untuk kasus ini, biarkan baterai menjadi dingin sebelum digunakan lagi.

Kerja saklar pembalik arah

- **Gbr.5:** 1. Tuas saklar pembalik arah

PERHATIAN: Selalu periksa arah putaran sebelum penggunaan.

PERHATIAN: Gunakan saklar pembalik arah hanya setelah mesin benar-benar berhenti. Mengubah arah putaran sebelum mesin berhenti dapat merusak mesin.

PERHATIAN: Saat mesin tidak digunakan, selalu posisikan tuas saklar pembalik arah pada posisi netral.

Mesin ini memiliki saklar pembalik arah untuk mengubah arah putaran. Tekan tuas saklar pembalik arah dari sisi A untuk putaran searah jarum jam atau dari sisi B untuk putaran berlawanan arah jarum jam. Ketika tuas saklar pembalik arah pada posisi netral, paku saklar tidak bisa ditarik.

Perubahan kecepatan

► **Gbr.6:** 1. Tuas pengubah kecepatan

PERHATIAN: Selalu posisikan tuas pengubah kecepatan sepenuhnya pada posisi yang tepat. Jika anda menggunakan mesin dengan tuas pengubah kecepatan berada di posisi tengah antara sisi "1" dan sisi "2", mesin bisa rusak.

PERHATIAN: Jangan menggunakan tuas pengubah kecepatan ketika mesin sedang bekerja. Mesin bisa rusak.

Posisi tuas pengubah kecepatan	Kecepatan	Torsi	Pengoperasian yang dapat diterapkan
1	Rendah	Tinggi	Pengoperasian pemuatan berat
2	Tinggi	Rendah	Pengoperasian pemuatan ringan

Untuk mengubah kecepatan, matikan mesin terlebih dahulu. Pilih sisi "2" untuk kecepatan tinggi atau "1" untuk kecepatan rendah tapi torsi tinggi. Pastikan bahwa tuas pengubah kecepatan dipoisikan pada posisi yang tepat sebelum penggunaan. Jika kecepatan mesin menurun drastis selama pengoperasian dengan "2", geserkan tuas pada sisi "1" dan mulai ulang operasi.

Menyetel torsi pengencangan

► **Gbr.7:** 1. Cincin penyetel 2. Skala 3. Tanda panah

Torsi pengencangan dapat disetel dalam 21 langkah dengan memutar cincin penyetel. Sejajarkan skala dengan panah di bodi mesin. Anda dapat memperoleh torsi pengencangan minimal pada 1 dan torsi maksimal pada tanda 21.

Kopling akan berpindah pada tingkat torsi beragam ketika diatur pada angka 1 hingga 20. Kopling tidak berfungsi pada tanda 21.

Sebelum penggunaan yang sebenarnya, pasang sekrup percobaan pada bahan atau potongan bahan lain untuk menentukan tingkat torsi yang dibutuhkan untuk keperluan tertentu.

Hal berikut menunjukkan panduan kasar hubungan antara ukuran sekrup dan skala.

Skala		1	2	3	4	5	6	7	8	9	10	11	12	13	14	15	16	17	18	19	20		
Sekrup mesin		M4				M5						M6											
Sekrup kayu	Kayu lunak (misalnya pinus)	-				φ3.5 x 22				φ4.1 x 38			-										
	Kayu keras (misalnya lauan)	-				φ3.5 x 22						φ4.1 x 38			-								

PERAKITAN

PERHATIAN: Selalu pastikan bahwa mesin dimatikan dan kartrid baterai dilepas sebelum melakukan pekerjaan apa pun pada mesin.

Memasang atau melepas mata obeng/mata bor

Untuk Model DF332D (aksesori pilihan)
► **Gbr.8:** 1. Selongsong 2. Tutup 3. Buka

Putar selongsong berlawanan arah jarum jam untuk membuka rahang cekam. Masukkan mata obeng/mata bor ke dalam cekam sejauh mungkin. Putar selongsong searah jarum jam untuk mengencangkan cekam. Untuk melepas mata obeng/mata bor, putar selongsong berlawanan arah jarum jam.

Memasang atau melepas mata obeng/mata soket

Untuk Model DF032D (aksesori pilihan)

► Gbr.9

Gunakan hanya mata obeng/mata soket yang memiliki ujung pencekaman seperti ditunjukkan pada gambar. Jangan gunakan mata obeng/mata soket lain.

Untuk mesin dengan lubang mata obeng yang dangkal

A=12mm B=9mm	Gunakan hanya mata obeng jenis ini. Ikuti prosedur 1. (Catatan) Tidak diperlukan ganjal mata mesin.
-----------------	---

Untuk mesin dengan lubang mata obeng yang dalam

A=17mm B=14mm	Untuk memasang mata obeng jenis ini, ikuti prosedur 1.
A=12mm B=9mm	Untuk memasang mata obeng jenis ini, ikuti prosedur 2. (Catatan) Diperlukan ganjal mata mesin untuk memasang mata mesin tersebut.

1. Untuk memasang mata obeng, tarik selongsong sesuai arah panah dan masukkan mata obeng ke dalam selongsong sejauh mungkin. Kemudian lepaskan selongsong untuk mengencangkan mata obeng.

► Gbr.10: 1. Mata obeng 2. Selongsong

2. Untuk memasang mata mesin, tarik selongsong sesuai arah panah dan masukkan ganjal mata mesin dan mata obeng ke dalam selongsong sejauh mungkin. Ganjal mata mesin harus dimasukkan ke dalam selongsong dengan ujung lancipnya menghadap ke dalam. Kemudian lepas selongsong untuk mengencangkan mata obeng.

► Gbr.11: 1. Mata obeng 2. Ganjal mata mesin 3. Selongsong

Untuk melepas mata obeng, tarik selongsong sesuai arah panah dan cabut mata mesin.

CATATAN: Jika mata obeng tidak dimasukkan penuh ke dalam selongsong, selongsong tidak akan kembali pada posisi semula dan mata mesin tidak terpasang. Untuk kasus ini, coba masukkan kembali mata mesin sesuai dengan petunjuk di atas.

CATATAN: Setelah memasukkan mata obeng, pastikan terpasang dengan kuat. Jika menonjol keluar, jangan digunakan.

Memasang kait

► Gbr.12: 1. Alur 2. Kait 3. Sekrup

Kait bisa digunakan untuk menggantung mesin sementara. Bisa dipasang pada salah satu sisi mesin. Untuk memasang kait, masukkan ke dalam alur pada rumah mesin pada salah satu sisinya dan kemudian kencangkan dengan sekrup. Untuk melepasnya, kendurkan sekrup dan kemudian tarik keluar.

Memasang pemegang mata obeng

Pilihan Aksesori

► Gbr.13: 1. Pemegang mata obeng 2. Mata obeng

Pasang penahan mata obeng pada tonjolan di bagian bawah mesin sisi sebelah kanan atau kiri dan kencangkan dengan sekrup.

Ketika tidak menggunakan mata obeng, simpan dalam penahan mata obeng. Mata obeng sepanjang 45 mm dapat disimpan di sana.

PENGUNAAN

⚠PERHATIAN: Selalu masukkan kartrid baterai seluruhnya sampai terkoneksi pada tempatnya dan terdengar bunyi klik kecil. Jika Anda bisa melihat bagian berwarna merah pada sisi atas tombol, berarti tidak terkoneksi sepenuhnya. Masukkan sepenuhnya sampai bagian berwarna merah tidak terlihat. Jika tidak, bisa terlepas dari mesin secara tidak sengaja, menyebabkan luka pada Anda atau orang di sekitar Anda.

⚠PERHATIAN: Ketika kecepatan menurun dengan drastis, kurangi muatan atau hentikan mesin untuk menghindari kerusakan mesin.

Pegang mesin kuat-kuat dengan satu tangan sementara tangan yang lain pada bagian bawah baterai untuk mengontrol gerak memutar.

► Gbr.14

Pekerjaan pemasangan sekrup


⚠PERHATIAN: Setel cincin penyetel pada tingkat torsi yang tepat untuk pekerjaan Anda.

⚠PERHATIAN: Pastikan bahwa mata obeng dimasukkan lurus terhadap kepala sekrup, atau sekrup dan/atau mata obeng bisa rusak.

Posisikan ujung mata obeng pada kepala sekrup dan beri tekanan pada mesin. Jalankan mesin dengan perlahan dan kemudian tingkatkan kecepatan secara bertahap. Lepas picu saklar segera setelah kopeling memotong.

CATATAN: Ketika memasang sekrup kayu, lakukan pengeboran awal untuk membuat lubang pengarah dengan ukuran 2/3 diameter sekrup. Hal tersebut mempermudah pemasangan sekrup dan untuk mencegah pecahnya benda kerja.

Pekerjaan pengeboran

Pertama-tama, putar cincin penyetel sehingga penunjuk mengarah pada tanda . Kemudian lakukan sebagaimana berikut.

Mengebor kayu

Ketika mengebor kayu, hasil terbaik didapat dengan mata bor kayu yang dilengkapi sekrup pemandu. Sekrup pemandu mempermudah pengeboran dengan

menarik mata bor ke dalam benda kerja.

Mengebor logam

Untuk mencegah mata bor selip ketika mulai membuat lubang, buatlah takik dengan penitik lalu palu pada titik yang akan dibor. Letakkan ujung mata bor pada takik dan mulailah mengebor.

Gunakan cairan pendingin saat mengebor logam. Pengecualian untuk besi dan kuningan yang harus dibor kering.

⚠️PERHATIAN: Menekan mesin secara berlebihan tidak akan mempercepat pengeboran. Bahkan, tekanan yang berlebihan hanya akan merusak mata bor Anda, mengurangi kinerja mesin dan memperpendek usia pakai mesin.

⚠️PERHATIAN: Pegang mesin dengan kuat dan berhati-hatilah saat mata bor menembus benda kerja. Akan timbul gaya yang sangat kuat pada mesin/mata bor saat menembus lubang.

⚠️PERHATIAN: Mata bor yang macet dapat dicabut dengan menyetel saklar pembalik arah agar mesin berputar berlawanan arah untuk mundur. Tetapi, mesin bisa saja mundur mendadak jika Anda tidak memegangnya dengan kuat.


⚠️PERHATIAN: Tahan benda kerja berukuran kecil dengan penjepit atau alat penahan lain.

⚠️PERHATIAN: Jika mesin terus-menerus digunakan sampai kartrid baterai habis, istirahatkan mesin selama 15 menit sebelum melakukannya lagi dengan baterai yang penuh.

Menggunakan mesin sebagai obeng tangan

► Gbr.15

Matikan mesin.

Pindahkan tuas saklar pembalik arah ke posisi netral. Putar cincin pengubah sehingga panah menunjuk pada tanda .

Nyalakan mesin.

CATATAN: Hal ini berguna untuk memeriksa pemasangan sekrup.

CATATAN: Jangan gunakan mesin untuk pekerjaan yang memerlukan gaya yang besar, seperti mengencangkan baut atau melepas sekrup berkarat.

Menggunakan sarung

Pilihan Aksesori

⚠️PERHATIAN: Ketika menggunakan sarung, lepaskan mata obeng/mata bor dari mesin.

⚠️PERHATIAN: Matikan mesin dan tunggu sampai berhenti penuh sebelum memasukkannya ke dalam sarung.

Pastikan untuk menutup sarung dengan kancing sarung sehingga dapat menahan mesin dengan kuat.

1. Pasang pada ikat pinggang atau sejenisnya lewat pemegang sarung.

► **Gbr.16:** 1. Pemegang sarung 2. Ikat pinggang

2. Masukkan mesin ke dalam sarung dan kunci dengan kancing sarung.

► **Gbr.17**

► **Gbr.18**

Anda dapat menyimpan dua mata obeng di bagian depan sarung.

PERAWATAN

⚠️PERHATIAN: Selalu pastikan bahwa mesin dimatikan dan kartrid baterai dilepas sebelum melakukan pemeriksaan atau perawatan.

PEMBERITAHUAN: Jangan sekali-kali menggunakan bensin, tiner, alkohol, atau bahan sejenisnya. Penggunaan bahan demikian dapat menyebabkan perubahan warna, perubahan bentuk atau timbulnya retakan.

Untuk menjaga KEAMANAN dan KEANDALAN mesin, perbaikan, perawatan atau penyetulan lainnya harus dilakukan oleh Pusat Layanan Resmi atau Pabrik Makita; selalu gunakan suku cadang pengganti buatan Makita.

AKSESORI PILIHAN

⚠️PERHATIAN: Dianjurkan untuk menggunakan aksesori atau perangkat tambahan ini dengan mesin Makita Anda yang ditentukan dalam petunjuk ini. Penggunaan aksesori atau perangkat tambahan lain bisa menyebabkan risiko cedera pada manusia. Hanya gunakan aksesori atau perangkat tambahan sesuai dengan peruntukannya.

Jika Anda memerlukan bantuan lebih rinci berkenaan dengan aksesori ini, tanyakan pada Pusat Layanan Makita terdekat.

- Mata bor
- Mata obeng
- Mata soket
- Ganjal mata mesin
- Pemegang mata obeng
- Sarung
- Tas jinjing plastik
- Kait
- Baterai dan pengisi daya asli buatan Makita

CATATAN: Beberapa item dalam daftar tersebut mungkin sudah termasuk dalam paket mesin sebagai aksesori standar. Hal tersebut dapat berbeda dari satu negara ke negara lainnya.

THÔNG SỐ KỸ THUẬT

Kiểu máy:		DF332D		DF032D	
Khả năng khoan	Thép	10 mm			
	Gỗ	28 mm			
Khả năng vạt xiết	Vít bất gỗ	5,1 mm x 63 mm			
	Vít máy	M6			
Tốc độ không tải	Cao (2)	0 - 1.500 min ⁻¹			
	Thấp (1)	0 - 450 min ⁻¹			
Chiều dài tổng thể		154 mm		124 mm	
Điện áp định mức		10,8 V một chiều - tối đa 12 V			
Hộp pin		BL1016, BL1021B	BL1041B	BL1016, BL1021B	BL1041B
Trọng lượng tịnh		1,0 kg	1,2 kg	0,88 kg	1,0 kg

- Do chương trình nghiên cứu và phát triển liên tục của chúng tôi nên các thông số kỹ thuật trong đây có thể thay đổi mà không cần thông báo trước.
- Các thông số kỹ thuật và hộp pin có thể thay đổi tùy theo từng quốc gia.
- Trọng lượng kèm theo hộp pin theo Quy trình EPTA 01/2003

Ký hiệu

Phần dưới đây cho biết các ký hiệu được dùng cho thiết bị. Đảm bảo rằng bạn hiểu rõ ý nghĩa của các ký hiệu này trước khi sử dụng.



Đọc tài liệu hướng dẫn.



Cd
Ni-MH
Li-Ion

Chỉ dành cho các quốc gia EU
Không thải bỏ thiết bị điện hoặc bộ pin cùng với các chất thải sinh hoạt!
Để tuân thủ các Chỉ thị của Châu Âu về thiết bị điện và điện tử thải bỏ, và về pin và ắc quy và pin và ắc quy thải bỏ, và thi hành những chỉ thị này phù hợp với luật lệ quốc gia, các thiết bị điện tử và pin và (các) bộ pin không còn sử dụng được nữa phải được thu nhặt riêng và đưa trở lại một cơ sở tái chế tương thích với môi trường.

Mục đích sử dụng

Dụng cụ này dùng để khoan và bắt vít vào gỗ, kim loại và nhựa.

Cảnh báo an toàn chung dành cho dụng cụ máy

⚠ CẢNH BÁO: Đọc tất cả các cảnh báo an toàn và tất cả hướng dẫn. Việc không tuân theo các cảnh báo và hướng dẫn có thể dẫn đến điện giật, hỏa hoạn và/hoặc thương tích nghiêm trọng.

Lưu giữ tất cả cảnh báo và hướng dẫn để tham khảo sau này.

Thuật ngữ “dụng cụ máy” trong các cảnh báo đề cập đến dụng cụ máy (có dây) được vận hành bằng nguồn điện chính hoặc dụng cụ máy (không dây) được vận

hành bằng pin của bạn.

An toàn tại nơi làm việc

1. **Giữ nơi làm việc sạch sẽ và có đủ ánh sáng.** Nơi làm việc bừa bộn hoặc tối thường dễ gây ra tai nạn.
2. **Không vận hành dụng cụ máy trong môi trường nguy hiểm, ví dụ như môi trường có sự hiện diện của các chất lỏng, khí hoặc bụi dễ cháy.** Các dụng cụ máy tạo tia lửa điện có thể làm bụi hoặc khí bốc cháy.
3. **Giữ trẻ em và người ngoài tránh xa nơi làm việc khi đang vận hành dụng cụ máy.** Sự xao lãng có thể khiến bạn mất khả năng kiểm soát.

An toàn về Điện

1. **Phích cắm của dụng cụ máy phải khớp với ổ cắm. Không được sửa đổi phích cắm theo bất kỳ cách nào. Không sử dụng bất kỳ phích cắm chuyển đổi nào với các dụng cụ máy được nối đất (tiếp đất).** Các phích cắm còn nguyên vẹn và ổ cắm phù hợp sẽ giảm nguy cơ điện giật.
2. **Tránh để cơ thể tiếp xúc với các bề mặt nóng đất hoặc tiếp đất như đường ống, bộ tản nhiệt, bếp ga và tủ lạnh.** Nguy cơ bị điện giật sẽ tăng lên nếu cơ thể bạn được nối đất hoặc tiếp đất.
3. **Không để dụng cụ máy tiếp xúc với mưa hoặc trong điều kiện ẩm ướt.** Nước lọt vào dụng cụ máy sẽ làm tăng nguy cơ điện giật.
4. **Không lạm dụng dây điện. Không được phép sử dụng dây để mang, kéo hoặc tháo phích cắm dụng cụ máy. Giữ dây tránh xa nguồn nhiệt, dầu, các mép sắc hoặc các bộ phận chuyển động.** Dây bị hỏng hoặc bị rơi sẽ làm tăng nguy cơ điện giật.
5. **Khí vận hành dụng cụ máy ngoài trời, hãy sử dụng dây kéo dài phù hợp cho việc sử dụng ngoài trời.** Việc dùng dây phù hợp cho việc sử dụng ngoài trời sẽ giảm nguy cơ điện giật.
6. **Nếu bắt buộc phải vận hành dụng cụ máy ở nơi ẩm ướt, hãy sử dụng nguồn cấp điện được**

bảo vệ bằng thiết bị ngắt dòng điện rò (RCD).
Việc sử dụng RCD sẽ làm giảm nguy cơ điện giật.

An toàn Cá nhân

- 1. Luôn tỉnh táo, quan sát những việc bạn đang làm và sử dụng những phán đoán theo kinh nghiệm khi vận hành dụng cụ máy. Không sử dụng dụng cụ máy khi bạn đang mệt mỏi hoặc chịu ảnh hưởng của ma túy, rượu hay thuốc.** Chỉ một khoảnh khắc không tập trung khi đang vận hành dụng cụ máy cũng có thể dẫn đến thương tích cá nhân nghiêm trọng.
- 2. Sử dụng thiết bị bảo hộ cá nhân. Luôn đeo thiết bị bảo vệ mắt.** Các thiết bị bảo hộ như mặt nạ chống bụi, giày an toàn chống trượt, mũ bảo hộ hay thiết bị bảo vệ thính giác được sử dụng trong các điều kiện thích hợp sẽ giúp giảm thương tích cá nhân.
- 3. Tránh vô tình khởi động dụng cụ máy. Đảm bảo công tắc ở vị trí off (tắt) trước khi nối nguồn điện và/hoặc bộ pin, cắm hoặc di chuyển dụng cụ máy.** Việc di chuyển dụng cụ máy khi đang đặt ngón tay ở vị trí công tắc hoặc cấp điện cho dụng cụ máy đang bật thường dễ gây ra tai nạn.
- 4. Tháo tất cả các khóa hoặc cờ lê điều chỉnh trước khi bật dụng cụ máy.** Việc cờ lê hoặc khóa vẫn còn gắn vào bộ phận quay của dụng cụ máy có thể dẫn đến thương tích cá nhân.
- 5. Không với quá cao. Luôn giữ thăng bằng tốt và có chỗ để chân phù hợp.** Điều này cho phép điều khiển dụng cụ máy tốt hơn trong những tình huống bất ngờ.
- 6. Ăn mặc phù hợp. Không mặc quần áo rộng hay đeo đồ trang sức. Giữ tóc, quần áo và găng tay tránh xa các bộ phận chuyển động.** Quần áo rộng, đồ trang sức hay tóc dài có thể mắc vào các bộ phận chuyển động.
- 7. Nếu các thiết bị được cung cấp để kết nối các thiết bị thu gom và hút bụi, hãy đảm bảo chúng được kết nối và sử dụng hợp lý.** Việc sử dụng thiết bị thu gom bụi có thể làm giảm những mối nguy hiểm liên quan đến bụi.

Sử dụng và bảo quản dụng cụ máy

- 1. Không dùng lực đối với dụng cụ máy. Sử dụng đúng dụng cụ máy cho công việc của bạn.** Sử dụng đúng dụng cụ máy sẽ giúp thực hiện công việc tốt hơn và an toàn hơn theo giá trị định mức được thiết kế của dụng cụ máy đó.
- 2. Không sử dụng dụng cụ máy nếu công tắc không bật và tắt được dụng cụ máy đó.** Mọi dụng cụ máy không thể điều khiển được bằng công tắc đều rất nguy hiểm và phải được sửa chữa.
- 3. Rút phích cắm ra khỏi nguồn điện và/hoặc ngắt kết nối bộ pin khỏi dụng cụ máy trước khi thực hiện bất kỳ công việc điều chỉnh, thay đổi phụ tùng hay cất giữ dụng cụ máy nào.** Những biện pháp an toàn phòng ngừa này sẽ giảm nguy cơ vô tình khởi động dụng cụ máy.
- 4. Cất giữ các dụng cụ máy không sử dụng ngoài tầm với của trẻ em và không cho bất kỳ người nào không có hiểu biết về dụng cụ máy hoặc các hướng dẫn này vận hành dụng cụ máy.** Dụng cụ máy sẽ rất nguy hiểm nếu được sử dụng bởi những người dùng chưa qua đào tạo.

- 5. Bảo quản dụng cụ máy. Kiểm tra tình trạng lệch trục hoặc bó kẹt của các bộ phận chuyển động, hiện tượng nứt vỡ của các bộ phận và mọi tình trạng khác mà có thể ảnh hưởng đến hoạt động của dụng cụ máy. Nếu có hỏng hóc, hãy sửa chữa dụng cụ máy trước khi sử dụng.** Nhiều tai nạn xảy ra là do không bảo quản tốt dụng cụ máy.
- 6. Luôn giữ cho dụng cụ cất được sắc bén và sạch sẽ.** Những dụng cụ cất được bảo quản tốt có mép cắt sắc sẽ ít bị kẹt hơn và dễ điều khiển hơn.
- 7. Sử dụng dụng cụ máy, phụ tùng và đầu dụng cụ cất, v.v... theo các hướng dẫn này, có tính đến điều kiện làm việc và công việc được thực hiện.** Việc sử dụng dụng cụ máy cho các công việc khác với công việc dự định có thể gây nguy hiểm.

Sử dụng và bảo quản dụng cụ dùng pin

- 1. Chỉ sạc pin lại với bộ sạc do nhà sản xuất quy định.** Bộ sạc phù hợp với một loại bộ pin này có thể gây ra nguy cơ hỏa hoạn khi được dùng cho một bộ pin khác.
- 2. Chỉ sử dụng các dụng cụ máy với các bộ pin được quy định cụ thể.** Việc sử dụng bất cứ bộ pin nào khác có thể gây ra thương tích và hỏa hoạn.
- 3. Khi không sử dụng bộ pin, hãy giữ tránh xa các đồ vật khác bằng kim loại, chẳng hạn như kẹp giấy, tiền xu, chìa khóa, đinh, ốc vít hoặc các vật nhỏ bằng kim loại mà có thể làm nối tất các đầu cực pin.** Các đầu cực pin bị đoản mạch có thể gây cháy hoặc hỏa hoạn.
- 4. Trong điều kiện sử dụng quá mức, pin có thể bị chảy nước; hãy tránh tiếp xúc. Nếu vô tình tiếp xúc với pin bị chảy nước, hãy rửa sạch bằng nước. Nếu dung dịch từ pin tiếp xúc với mắt, cần đi khám bác sĩ thêm.** Dung dịch chảy ra từ pin có thể gây rất da hoặc bỏng.

Bảo dưỡng

- 1. Để nhân viên sửa chữa đủ trình độ bảo dưỡng dụng cụ máy của bạn và chỉ sử dụng các bộ phận thay thế đồng nhất.** Việc này sẽ đảm bảo duy trì được độ an toàn của dụng cụ máy.
- 2. Tuân theo hướng dẫn dành cho việc bôi trơn và thay phụ tùng.**
- 3. Giữ tay cầm khô, sạch, không dính dầu và mỡ.**

Cảnh báo an toàn đối với máy khoan & vận vật chày pin

- 1. Sử dụng tay cầm (các tay cầm) phụ nếu được cung cấp kèm theo dụng cụ.** Việc mất khả năng kiểm soát có thể dẫn đến thương tích cá nhân.
- 2. Cầm dụng cụ máy tại bề mặt kẹp cách điện khi thực hiện một thao tác trong đó phụ kiện cắt có thể tiếp xúc với dây dẫn điện kín bên dưới.** Phụ kiện cắt tiếp xúc với dây dẫn "có điện" có thể khiến các bộ phận kim loại bị hở của dụng cụ máy "có điện" và làm cho người vận hành bị điện giật.
- 3. Cầm dụng cụ máy tại bề mặt kẹp cách điện khi thực hiện một thao tác trong đó bộ phận kẹp có thể tiếp xúc với dây dẫn điện kín bên dưới.** Bộ phận kẹp tiếp xúc với dây dẫn "có điện" có thể

khiến các bộ phận kim loại bị hở của dụng cụ máy “có điện” và làm cho người vận hành bị điện giật.

4. Luôn chắc chắn rằng bạn có chỗ tựa chân vững chắc. Đảm bảo rằng không có ai ở bên dưới khi sử dụng dụng cụ ở những vị trí trên cao.
5. Cầm chắc dụng cụ.
6. Giữ tay tránh xa các bộ phận quay.
7. Không để mặc dụng cụ hoạt động. Chỉ vận hành dụng cụ khi cầm trên tay.
8. Không chạm vào mũi khoan hoặc phôi gia công ngay sau khi vận hành; chúng có thể rất nóng và có thể gây bỏng da.
9. Một số vật liệu có thể chứa hóa chất độc hại. Phải cẩn trọng tránh hít phải bụi và để tiếp xúc với da. Tuân theo dữ liệu an toàn của nhà cung cấp vật liệu.

LƯU GIỮ CÁC HƯỚNG DẪN NÀY.

⚠ CẢNH BÁO: KHÔNG vì đã thoải mái hay quen thuộc với sản phẩm (có được do sử dụng nhiều lần) mà không tuân thủ nghiêm ngặt các quy định về an toàn dành cho sản phẩm này. VIỆC DÙNG SAI hoặc không tuân theo các quy định về an toàn được nêu trong tài liệu hướng dẫn này có thể dẫn đến thương tích cá nhân nghiêm trọng.

Hướng dẫn quan trọng về an toàn dành cho hộp pin

1. Trước khi sử dụng hộp pin, hãy đọc kỹ tất cả các hướng dẫn và dấu hiệu cảnh báo trên (1) bộ sạc pin, (2) pin và (3) sản phẩm sử dụng pin.
2. Không tháo rời hộp pin.
3. Nếu thời gian vận hành ngắn hơn quá mức, hãy ngừng vận hành ngay lập tức. Điều này có thể dẫn đến rủi ro quá nhiệt, có thể gây bỏng và thậm chí là nổ.
4. Nếu chất điện phân rơi vào mắt, hãy rửa sạch bằng nước sạch và đến cơ sở y tế ngay lập tức. Chất này có thể khiến bạn giảm thị lực.
5. Không để hộp pin ở tình trạng đoản mạch:
 - (1) Không chạm vào cực pin bằng vật liệu dẫn điện.
 - (2) Tránh cất giữ hộp pin trong hộp có các vật kim loại khác như đinh, tiền xu, v.v...
 - (3) Không được để hộp pin tiếp xúc với nước hoặc mưa.

Đoản mạch pin có thể gây ra dòng điện lớn, quá nhiệt, có thể gây bỏng và thậm chí là hỏng hóc.

6. Không cất giữ dụng cụ và hộp pin ở nơi nhiệt độ có thể lên tới hoặc vượt quá 50°C.
7. Không đốt hộp pin ngay cả khi hộp pin đã bị hư hại nặng hoặc hư hỏng hoàn toàn. Hộp pin có thể nổ khi tiếp xúc với lửa.
8. Hãy cẩn trọng không làm rơi hoặc làm méo pin.
9. Không sử dụng pin đã hỏng.
10. Tuân theo các quy định của địa phương liên quan đến việc thải bỏ pin.

LƯU GIỮ CÁC HƯỚNG DẪN NÀY.

⚠ THẬN TRỌNG: Chỉ sử dụng pin Makita chính hãng. Việc sử dụng pin không chính hãng Makita, hoặc pin đã được sửa đổi, có thể dẫn đến nổ pin gây ra cháy, thương tích và thiệt hại cá nhân. Nó cũng sẽ làm mất hiệu lực bảo hành của Makita dành cho dụng cụ của Makita và bộ sạc.

Mẹo duy trì tuổi thọ tối đa cho pin

1. Sạc hộp pin trước khi pin bị xả điện hoàn toàn. Luôn dừng việc vận hành dụng cụ và sạc pin khi bạn nhận thấy công suất dụng cụ bị giảm.
2. Không được phép sạc lại một hộp pin đã được sạc đầy. Sạc quá mức sẽ làm giảm tuổi thọ của pin.
3. Sạc pin ở nhiệt độ phòng 10°C - 40°C. Để cho hộp pin nóng nguội lại dần trước khi sạc pin.

MÔ TẢ CHỨC NĂNG

⚠ THẬN TRỌNG: Luôn đảm bảo rằng đã tắt dụng cụ và tháo hộp pin ra trước khi thực hiện việc điều chỉnh hoặc kiểm tra chức năng trên dụng cụ.

Lắp hoặc tháo hộp pin

⚠ THẬN TRỌNG: Luôn tắt dụng cụ trước khi lắp hoặc tháo hộp pin.

⚠ THẬN TRỌNG: Giữ dụng cụ và hộp pin thật chắc khi lắp hoặc tháo hộp pin. Không giữ dụng cụ và hộp pin thật chắc có thể làm trượt chúng khỏi tay và làm hư hỏng dụng cụ và hộp pin hoặc gây thương tích cá nhân.

► Hình 1: 1. Đèn chỉ báo màu đỏ 2. Nút 3. Hộp pin

Để tháo hộp pin, vừa trượt pin ra khỏi dụng cụ vừa đẩy trượt nút ở phía trước hộp pin.

Để lắp hộp pin, đặt thẳng hàng phần chốt nhô ra của hộp pin vào phần rãnh nằm trên vỏ và trượt hộp pin vào vị trí. Đưa hộp pin vào cho đến khi chốt khóa vào đúng vị trí với một tiếng “cách” nhẹ. Nếu bạn vẫn còn nhìn thấy đèn chỉ báo màu đỏ ở mặt trên của nút, điều đó có nghĩa là chốt vẫn chưa được khóa hoàn toàn.

⚠ THẬN TRỌNG: Luôn lắp hộp pin khớp hoàn toàn vào vị trí cho đến khi không thể nhìn thấy đèn chỉ báo màu đỏ. Nếu không, hộp pin có thể vó tình rơi ra khỏi dụng cụ, gây thương tích cho bạn hoặc người khác xung quanh.

⚠ THẬN TRỌNG: Không được dùng sức lắp hộp pin. Nếu hộp pin không nhẹ nhàng trượt vào vị trí, có nghĩa là pin vẫn chưa được lắp đúng.

Hệ thống bảo vệ pin

Dụng cụ này được trang bị hệ thống bảo vệ pin. Hệ thống này sẽ tự động ngắt nguồn điện đến động cơ để kéo dài tuổi thọ pin.

Dụng cụ sẽ tự động dừng khi đang vận hành nếu dụng cụ và/hoặc pin ở một trong những trường hợp sau đây:

Quá tải:

Dụng cụ được vận hành theo cách gây ra dòng điện cao bất thường.

Trong trường hợp này, hãy tắt dụng cụ và ngừng ứng dụng làm cho dụng cụ trở nên quá tải. Sau đó bật dụng cụ lên để khởi động lại.

Nếu dụng cụ không khởi động, pin đang bị quá nhiệt. Trong tình huống này, hãy để pin nguội trở lại trước khi bật dụng cụ lại.

Điện thế pin thấp:

Dung lượng pin còn lại quá thấp và dụng cụ sẽ không hoạt động. Nếu bạn bật dụng cụ, động cơ tiếp tục chạy lại nhưng sẽ sớm ngừng. Trong tình huống này, hãy tháo và sạc pin lại.

Chỉ báo dung lượng pin còn lại

Chỉ những hộp pin có “B” ở vị trí cuối số thứ tự kiểu máy

► Hình2: 1. Các đèn chỉ báo 2. Nút Check (kiểm tra)

Ấn nút check (kiểm tra) trên hộp pin để chỉ báo dung lượng pin còn lại. Các đèn chỉ báo bật sáng lên trong vài giây.

Các đèn chỉ báo		Dung lượng còn lại
Bật sáng	Tắt	
		75% đến 100%
		50% đến 75%
		25% đến 50%
		0% đến 25%

LƯU Ý: Tùy thuộc vào các điều kiện sử dụng và nhiệt độ xung quanh, việc chỉ báo có thể khác biệt một chút so với dung lượng thực sự.

Hoạt động công tắc

► Hình3: 1. Cần khởi động công tắc

⚠ THẬN TRỌNG: Trước khi lắp hộp pin vào dụng cụ, luôn luôn kiểm tra xem cần khởi động công tắc có hoạt động bình thường hay không và trả về vị trí “OFF” (TẮT) khi nhả ra.

Để khởi động dụng cụ, chỉ cần kéo cần khởi động công tắc. Tốc độ của dụng cụ được tăng lên bằng cách tăng áp lực lên cần khởi động công tắc. Nhả cần khởi động công tắc ra để dừng.

LƯU Ý: Dụng cụ này sẽ tự động dừng lại nếu bạn tiếp tục kéo giữ cần khởi động công tắc trong khoảng 6 phút.

Bật sáng đèn phía trước

► Hình4: 1. Đèn

⚠ THẬN TRỌNG: Đừng nhìn thẳng trực tiếp vào đèn hoặc nguồn sáng.

Kéo cần khởi động công tắc để bật sáng đèn. Đèn sẽ vẫn sáng trong lúc cần khởi động công tắc đang được kéo. Đèn sẽ tắt khoảng 10 giây sau khi nhả cần khởi động công tắc.

LƯU Ý: Dùng vải khô để lau bụi bẩn trên kính đèn. Cần thận không được làm xước kính đèn, nếu không đèn có thể bị giảm độ sáng.

LƯU Ý: Khi dụng cụ bị quá nhiệt, đèn sẽ nhấp nháy trong vòng một phút, sau đó màn hình LED sẽ tắt. Trong trường hợp này, hãy để nguội dụng cụ trước khi vận hành lại.

Hoạt động công tắc đảo chiều

► Hình5: 1. Cần công tắc đảo chiều

⚠ THẬN TRỌNG: Luôn luôn kiểm tra hướng xoay trước khi vận hành.

⚠ THẬN TRỌNG: Chỉ sử dụng công tắc đảo chiều sau khi dụng cụ đã dừng hoàn toàn. Việc thay đổi hướng xoay trước khi dụng cụ dừng có thể làm hỏng dụng cụ.

⚠ THẬN TRỌNG: Khi vận hành dụng cụ, luôn đặt nút công tắc đảo chiều ở vị trí chính giữa.

Dụng cụ này có một công tắc đảo chiều để thay đổi chiều xoay. Nhấn nút công tắc đảo chiều từ mặt A để xoay theo chiều kim đồng hồ hoặc từ mặt B để xoay ngược chiều kim đồng hồ. Khi nút công tắc đảo chiều ở vị trí chính giữa, không thể kéo cần khởi động công tắc được.

Thay đổi tốc độ

► Hình6: 1. Cần thay đổi tốc độ

⚠ THẬN TRỌNG: Luôn để cần thay đổi tốc độ vào thật đúng vị trí. Nếu bạn vận hành dụng cụ với cần thay đổi tốc độ đặt ở một nửa giữa vị trí “1” và “2”, dụng cụ có thể bị hư hỏng.

⚠ THẬN TRỌNG: Không được sử dụng cần thay đổi tốc độ trong lúc dụng cụ đang chạy. Dụng cụ có thể bị hư hỏng.

Định vị cần thay đổi tốc độ	Tốc độ	Mô-men xoay	Vận hành phù hợp
1	Thấp	Cao	Vận hành tải nặng
2	Cao	Thấp	Vận hành tải nhẹ

Để thay đổi tốc độ, trước tiên hãy tắt dụng cụ. Chọn vị trí “2” cho tốc độ cao và vị trí “1” cho tốc độ thấp nhưng có mô-men xoay cao. Đảm bảo rằng cần thay đổi tốc độ được đặt ở đúng vị trí trước khi vận hành. Nếu tốc độ dụng cụ giảm xuống đáng kể trong khi vận hành với “2”, thì hãy trượt cần sang “1” và khởi động lại việc vận hành.

Điều chỉnh lực vặn xiết

► **Hình7:** 1. Vòng điều chỉnh 2. Vòng chia độ 3. Mũi tên

Lực vặn xiết có thể được điều chỉnh theo 21 bước bằng cách xoay vòng điều chỉnh. Căn chỉnh vòng chia độ theo mũi tên trên thân máy. Bạn có thể đạt được lực vặn xiết nhỏ nhất khi ở 1 và mô-men xoay lớn nhất khi ở vạch chỉ 21.

Bộ ly hợp sẽ trượt đến theo các mức lực xoắn khác nhau khi thiết lập từ số 1 đến 20. Bộ ly hợp sẽ không hoạt động khi ở vạch chỉ 21.

Trước khi vận hành thực tế, hãy bắt thử một ốc vít vào vật liệu hoặc mẫu vật liệu tương tự để xác định mức lực xoắn nào cần cho trường hợp sử dụng cụ thể.

Sau đây là hướng dẫn sơ lược về mối quan hệ giữa kích thước vít và vòng chia độ.

Vòng chia độ		1	2	3	4	5	6	7	8	9	10	11	12	13	14	15	16	17	18	19	20
Vít máy		M4				M5						M6									
Vít bất gỉ	Gỗ mềm (chẳng hạn như gỗ thông)	-				φ3,5 x 22			φ4,1 x 38			-									
	Gỗ cứng (chẳng hạn như gỗ sến)	-				φ3,5 x 22						φ4,1 x 38			-						

LẮP RÁP

⚠ THẬN TRỌNG: Luôn đảm bảo rằng đã tắt dụng cụ và tháo hộp pin ra trước khi thực hiện bất cứ thao tác nào trên dụng cụ.

Lắp hoặc tháo gỡ mũi bất vít/mũi khoan

Đối với Kiểu máy DF332D (Phụ kiện tùy chọn)

► **Hình8:** 1. Trụ ngoài 2. Đóng 3. Mỏ

Xoay trụ ngoài ngược chiều kim đồng hồ để mở các mẫu ngàm kẹp. Đặt mũi bất vít/mũi khoan vào trong ngàm kẹp hết mức có thể. Xoay trụ ngoài theo chiều kim đồng hồ để vận chuyển ngàm kẹp. Để tháo gỡ mũi bất vít/mũi khoan, hãy xoay trụ ngoài ngược chiều kim đồng hồ.

Lắp hoặc tháo gỡ mũi bất vít/mũi đầu tuýp

Đối với Kiểu máy DF032D (Phụ kiện tùy chọn)

► **Hình9**

Chỉ sử dụng mũi bất vít/mũi đầu tuýp có phần lắp như trình bày trong hình. Không được sử dụng bất cứ loại mũi bất vít/mũi đầu tuýp nào khác.

Đối với dụng cụ có lỗ mũi vít nông

A=12 mm B=9 mm	Chỉ sử dụng các loại mũi bất vít này. Hãy làm theo quy trình 1. (Lưu ý) Miếng đệm đầu mũi là không cần thiết.
-------------------	---

Đối với dụng cụ có lỗ mũi vít sâu

A=17 mm B=14 mm	Để lắp các loại đầu mũi này, hãy làm theo quy trình 1.
--------------------	--

A=12 mm
B=9 mm

Để lắp các loại đầu mũi này, hãy làm theo quy trình 2. (Lưu ý) Miếng đệm đầu mũi là cần thiết để lắp mũi vít.

1. Để lắp đầu mũi, hãy kéo trụ ngoài ra theo hướng mũi tên và đẩy đầu mũi vào trong trụ ngoài hết mức có thể.
Sau đó nhả trụ ngoài ra để giữ chặt đầu mũi.

► **Hình10:** 1. Mũi bất vít 2. Trụ ngoài

2. Để lắp đầu mũi, hãy kéo trụ ngoài theo hướng mũi tên và đẩy miếng đệm và đầu mũi vào trong trụ ngoài hết mức có thể. Miếng đệm đầu mũi cần được lắp vào trụ ngoài với đầu mũi quay vào trong. Sau đó nhả trụ ngoài ra để giữ chặt đầu mũi.

► **Hình11:** 1. Mũi bất vít 2. Miếng đệm đầu mũi 3. Trụ ngoài

Để tháo mũi vít, hãy kéo trụ ngoài theo hướng mũi tên và kéo mạnh mũi vít ra.

LƯU Ý: Nếu mũi vít không được đẩy đủ sâu vào trụ ngoài, trụ ngoài sẽ không trở lại vị trí ban đầu và không giữ chặt được mũi vít. Trong trường hợp này, cố lắp lại mũi vít theo các hướng dẫn ở trên.

LƯU Ý: Sau khi đẩy mũi vít vào, đảm bảo rằng mũi vít được giữ chặt. Nếu mũi vít rời ra, đừng sử dụng nó nữa.

Lắp móc treo

► **Hình12:** 1. Rãnh 2. Móc treo 3. Vít

Móc treo rất thuận tiện cho việc treo tạm dụng cụ. Móc treo có thể được lắp ở cả hai bên của dụng cụ. Để lắp đặt móc treo, hãy lắp nó vào rãnh trên vỏ dụng cụ trên bất cứ mặt nào và sau đó xiết chặt lại bằng vít. Để tháo ra, hãy vận lòng vít rồi lấy móc treo ra.

Lắp hộp chứa đầu mũi vít

Phụ kiện tùy chọn

► **Hình13:** 1. Hộp chứa đầu mũi vít 2. Mũi bắt vít

Lắp vừa khít hộp chứa đầu mũi vít vào phần nhô ra ở chân dụng cụ ở cả bên phải hoặc trái và vận chặt bằng vít.

Khi không sử dụng mũi bắt vít, hãy giữ nó trong hộp chứa đầu mũi vít. Hộp chứa đầu mũi vít có thể giữ mũi bắt vít dài 45 mm.

VẬN HÀNH

⚠ THẬN TRỌNG: Luôn luôn lắp hộp pin vào hết mức cho đến khi nó khóa đúng vào vị trí. Nếu bạn vẫn còn nhìn thấy phần màu đỏ phía trên nút bấm, chốt vẫn chưa được khóa hoàn toàn. Lắp chốt hoàn toàn vào vị trí cho đến khi không thể nhìn thấy phần màu đỏ. Nếu không, hộp pin có thể vô tình rơi ra khỏi dụng cụ, gây thương tích cho bạn hoặc người khác xung quanh.

⚠ THẬN TRỌNG: Khi tốc độ giảm xuống đang kể, hãy giảm tải hoặc dừng dụng cụ để tránh làm hỏng dụng cụ.

Giữ dụng cụ thật chặt bằng một tay trên tay cầm và tay kia trên phần đáy hộp pin để kiểm soát thao tác vận xoắn.

► **Hình14**

Thao tác bắt vít


⚠ THẬN TRỌNG: Chính vòng điều chỉnh đến mức lực xoắn phù hợp với công việc của bạn.

⚠ THẬN TRỌNG: Đảm bảo rằng mũi bắt vít được lắp thẳng đứng vào đầu vít, nếu không vít và/hoặc mũi bắt vít có thể bị hư hỏng.

Đặt đỉnh mũi bắt vít vào trong đầu vít và tác dụng lực lên dụng cụ. Khởi động dụng cụ từ từ, sau đó tăng tốc độ dần dần. Nhà sản xuất khởi động công tắc ngay khi bộ ly hợp vừa ngắt.

LƯU Ý: Khi vận các vít bắt gỗ, hãy khoan trước một lỗ định hướng bằng 2/3 đường kính vít đó. Điều này giúp bắt vít dễ dàng hơn và ngăn phiê gia công bị chia tách.

Thao tác khoan

Đầu tiên, xoay vòng điều chỉnh sao cho vạch chuẩn chỉ . Sau đó tiến hành như sau.

Khoan vào gỗ

Khi khoan vào gỗ, để có kết quả tốt nhất cần sử dụng các mũi khoan dùng để khoan gỗ và vít dẫn. Vít dẫn hướng giúp khoan dễ dàng hơn bằng cách kéo đầu mũi khoan vào trong phiê gia công.

Khoan vào kim loại

Để phòng ngừa đầu mũi khoan bị trượt ra lúc bắt đầu khoan lỗ, hãy tạo một vết lõm bằng cách dùng dùi đục tâm và đóng vào điểm cần khoan. Đặt điểm đầu mũi khoan vào chỗ lõm này và bắt đầu khoan.

Sử dụng dầu nhờn để cắt khi khoan kim loại. Trừ các trường hợp dùng sắt và đồng thau cần phải được khoan khô.

⚠ THẬN TRỌNG: Nhấn dụng cụ quá mức sẽ không tăng tốc độ khoan lên được. Trên thực tế, việc nhấn mạnh thêm này sẽ chỉ gây hỏng đầu mũi khoan của bạn, làm giảm hiệu năng và tuổi thọ hoạt động của dụng cụ.

⚠ THẬN TRỌNG: Giữ chặt dụng cụ và chuẩn bị ghim lực quán tính lại khi mũi khoan xuyên thủng phiê gia công. Sẽ có lực quán tính rất lớn tác động lên dụng cụ/đầu mũi khoan khi lỗ khoan được xuyên thủng.

⚠ THẬN TRỌNG: Đầu mũi khoan bị kẹt có thể được tháo ra đơn giản bằng cách đặt công tắc đảo chiều sang chế độ xoay ngược lại để rút mũi khoan ra. Tuy nhiên, dụng cụ có thể quay ngược ra bất ngờ nếu bạn không giữ chặt.


⚠ THẬN TRỌNG: Luôn luôn giữ chặt các phiê gia công có kích thước nhỏ bằng kim hoặc dụng cụ kẹp tương tự.

⚠ THẬN TRỌNG: Nếu dụng cụ được vận hành liên tục cho đến khi hộp pin đã bị xả kiệt, hãy để dụng cụ nghỉ 15 phút trước khi thực hiện tiếp bằng pin mới.

Sử dụng dụng cụ làm tuốc-nơ-vít cầm tay

► **Hình15**

Tắt dụng cụ.

Chuyển cần công tắc đảo chiều đến vị trí chính giữa. Xoay vòng điều chỉnh sao cho mũi tên chỉ đến vạch chỉ .

Thực hiện xoay dụng cụ.

LƯU Ý: Cách sử dụng này rất thuận tiện để kiểm tra việc bắt vít.

LƯU Ý: Không được sử dụng dụng cụ này để làm công việc cần quá nhiều lực, chẳng hạn như xiết chặt bu-lông hoặc tháo vít bị gỉ.

Sử dụng túi đồ nghề

Phụ kiện tùy chọn

⚠ THẬN TRỌNG: Khi sử dụng túi đồ nghề, phải tháo mũi bắt vít/mũi khoan ra khỏi dụng cụ.

⚠ THẬN TRỌNG: Tắt máy dụng cụ và chờ cho đến khi dụng cụ dừng hẳn trước khi đặt vào túi đồ nghề.

Đảm bảo đóng chặt túi đồ nghề bằng nút trên túi đồ nghề để giữ cho dụng cụ luôn an toàn.

1. Xỏ đai lưng hoặc thứ gì đó tương tự xuyên qua móc quai túi đồ nghề.

► **Hình16:** 1. Móc quai túi đồ nghề 2. Đai lưng

2. Đặt dụng cụ vào túi đồ nghề và khóa lại bằng nút trên túi đồ nghề.

► **Hình17**

► **Hình18**

Bạn có thể giữ cho hai mũi bắt vít ở phía trước của túi đồ nghề.

BẢO TRÌ

⚠ THẬN TRỌNG: Hãy luôn chắc chắn rằng dụng cụ đã được tắt và hộp pin đã được tháo ra trước khi cố gắng thực hiện việc kiểm tra hay bảo dưỡng.

CHÚ Ý: Không được phép dùng xăng, ét xăng, dung môi, cồn hoặc hóa chất tương tự. Có thể xảy ra hiện tượng mất màu, biến dạng hoặc nứt vỡ.

Để đảm bảo ĐỘ AN TOÀN và ĐỘ TIN CẬY của sản phẩm, việc sửa chữa hoặc bất cứ thao tác bảo trì, điều chỉnh nào đều phải được thực hiện bởi các Trung tâm Dịch vụ Nhà máy hoặc Trung tâm được Makita Ủy quyền và luôn sử dụng các phụ tùng thiết bị thay thế của Makita.

PHỤ KIỆN TỰ CHỌN

⚠ THẬN TRỌNG: Các phụ kiện hoặc phụ tùng gắn thêm này được khuyến cáo sử dụng với dụng cụ Makita của bạn theo như quy định trong hướng dẫn này. Việc sử dụng bất cứ phụ kiện hoặc phụ tùng gắn thêm nào khác đều có thể gây ra rủi ro thương tích cho người. Chỉ sử dụng phụ kiện hoặc phụ tùng gắn thêm cho mục đích đã quy định sẵn của chúng.

Nếu bạn cần bất kỳ sự hỗ trợ nào để biết thêm chi tiết về các phụ tùng này, hãy hỏi Trung tâm Dịch vụ của Makita tại địa phương của bạn.

- Các mũi khoan
- Mũi bắt vít
- Mũi đầu tuýp
- Miếng đệm đầu mũi
- Hộp chứa đầu mũi vít
- Túi đồ nghề
- Hộp nhựa chứa dụng cụ
- Móc treo
- Pin và bộ sạc chính hãng của Makita

LƯU Ý: Một số mục trong danh sách có thể được bao gồm trong gói dụng cụ làm phụ kiện tiêu chuẩn. Các mục này ở mỗi quốc gia có thể khác nhau.

ข้อมูลจำเพาะ

รุ่น:		DF332D		DF032D	
ความสามารถในการเจาะ	โลหะ	10 mm			
	ไม้	28 mm			
ความสามารถในการขันแน่น	สกรูยึดไม้	5.1 mm x 63 mm			
	สกรูยึดโลหะ	M6			
ความเร็วหมุนเปล่า	สูง (2)	0 - 1,500 min ⁻¹			
	ต่ำ (1)	0 - 450 min ⁻¹			
ความยาวโดยรวม		154 mm		124 mm	
แรงดันไฟฟ้าสูงสุด		D.C. 10.8 V - 12 V max			
ตลับแบตเตอรี่		BL1016, BL1021B	BL1041B	BL1016, BL1021B	BL1041B
น้ำหนักสุทธิ		1.0 kg	1.2 kg	0.88 kg	1.0 kg

- เนื่องจากการค้นคว้าวิจัยและพัฒนาอย่างต่อเนื่อง ข้อมูลจำเพาะในเอกสารฉบับนี้อาจเปลี่ยนแปลงได้โดยไม่ต้องแจ้งให้ทราบล่วงหน้า
- ข้อมูลจำเพาะและตลับแบตเตอรี่อาจแตกต่างกันไปในแต่ละประเทศ
- น้ำหนักรวมตลับแบตเตอรี่ตามข้อบังคับของ EPTA 01/2003

สัญลักษณ์

ต่อไปนี้เป็นสัญลักษณ์ที่ใช้สำหรับอุปกรณ์ โปรดศึกษาความหมายของสัญลักษณ์ให้เข้าใจก่อนการใช้งาน



อ่านคู่มือการใช้งาน



Cd
Ni-MH
Li-Ion

สำหรับประเทศในสหภาพยุโรปเท่านั้น ห้ามทิ้งอุปกรณ์ไฟฟ้าหรือชุดแบตเตอรี่รวมกับขยะครัวเรือนทั่วไป!

เพื่อให้เป็นไปตามกฎระเบียบของยุโรปเกี่ยวกับขยะจำพวกอุปกรณ์ไฟฟ้าและอิเล็กทรอนิกส์ และขยะจำพวกแบตเตอรี่และหม้อสะสมไฟฟ้า และการปฏิบัติตามกฎหมายในประเทศ ต้องเก็บอุปกรณ์ไฟฟ้าและแบตเตอรี่และชุดแบตเตอรี่ทั้งหมดอายุการใช้งานแล้วแยกต่างหาก และส่งกลับไปยังศูนย์รีไซเคิลที่เป็นมิตรต่อสิ่งแวดล้อม

จุดประสงค์การใช้งาน

เครื่องมือนี้ใช้สำหรับเจาะและขันสกรูลงในไม้ โลหะ และพลาสติก

คำเตือนด้านความปลอดภัยของเครื่องมือไฟฟ้าทั่วไป

คำเตือน: อ่านคำเตือนด้านความปลอดภัยและคำแนะนำทั้งหมด การไม่ปฏิบัติตามคำเตือนและคำแนะนำดังกล่าวอาจส่งผลให้ไฟฟ้าช็อต ไฟไหม้ และ/หรือได้รับบาดเจ็บร้ายแรง

เก็บรักษาคำเตือนและคำแนะนำทั้งหมดไว้เป็นข้อมูลอ้างอิงในอนาคต

คำว่า “เครื่องมือไฟฟ้า” ในคำเตือนนี้หมายถึงเครื่องมือไฟฟ้า (มีสาย) ที่ทำงานโดยใช้กระแสไฟฟ้าหรือเครื่องมือไฟฟ้า (ไร้สาย) ที่ทำงานโดยใช้แบตเตอรี่

ความปลอดภัยของพื้นที่ทำงาน

1. ดูแลพื้นที่ทำงานให้มีความสะอาดและมีแสงไฟสว่าง พื้นที่รกร้างหรือมีเศษหรือมีดที่บอบช้ำนำไปสู่การเกิดอุบัติเหตุได้
2. อย่าใช้งานเครื่องมือไฟฟ้าในสภาพที่อาจเกิดการระเบิด เช่น ในสถานที่ที่มีของเหลว ก๊าซ หรือฝุ่นผงที่มีคุณสมบัติไวไฟ เครื่องมือไฟฟ้าอาจสร้างประกายไฟและจุดชนวนฝุ่นผงหรือก๊าซดังกล่าว

3. ดูแลไม่ให้มีเด็กฯ หรือบุคคลอื่นอยู่ในบริเวณที่กำลังใช้เครื่องมือไฟฟ้า การมีสิ่งรบกวนสมาธิอาจทำให้คุณสูญเสียการควบคุม

ความปลอดภัยด้านไฟฟ้า

1. ปลั๊กของเครื่องมือไฟฟ้าต้องพอดีกับเต้ารับ อย่าติดตั้งปลั๊กไม่ถูกต้อง อย่าใช้ปลั๊กอะแดปเตอร์กับเครื่องมือไฟฟ้าที่ต่อสายดิน ปลั๊กที่ไม่ถูกต้องและเต้ารับที่เข้ากันพอดีจะช่วยลดความเสี่ยงของการเกิดไฟฟ้าช็อต
2. ระวังอย่าให้ร่างกายสัมผัสกับพื้นผิวที่ต่อสายดิน เช่น ท่อ เครื่องนำความร้อน เตาหุงต้ม และตู้เย็น มีความเสี่ยงที่จะเกิดไฟฟ้าช็อตสูงขึ้น หากร่างกายของคุณสัมผัสกับพื้น
3. อย่าให้เครื่องมือไฟฟ้าถูกน้ำหรืออยู่ในสภาพเปียกชื้น น้ำที่ไหลเข้าไปในเครื่องมือไฟฟ้าจะเพิ่มความเสี่ยงของการเกิดไฟฟ้าช็อต
4. อย่าใช้สายไฟอย่างไม่เหมาะสม อย่าใช้สายไฟเพื่อยก ดึง หรือถอดปลั๊กเครื่องมือไฟฟ้า เก็บสายไฟให้ห่างจากความร้อน น้ำมัน ของมีคม หรือชิ้นส่วนที่เคลื่อนที่ สายที่ชำรุดหรือพันกันจะเพิ่มความเสี่ยงของการเกิดไฟฟ้าช็อต
5. ขณะที่ใช้งานเครื่องมือไฟฟ้านอกอาคาร ควรใช้สายต่อพ่วงที่เหมาะสมกับงานภายนอกอาคาร การใช้สายที่เหมาะสมกับงานภายนอกอาคารจะลดความเสี่ยงของการเกิดไฟฟ้าช็อต
6. หากต้องใช้งานเครื่องมือไฟฟ้าในสถานที่เปียกชื้น ให้ใช้อุปกรณ์ป้องกันกระแสไฟรั่ว (RCD) การใช้ RCD จะลดความเสี่ยงของการเกิดไฟฟ้าช็อต

ความปลอดภัยส่วนบุคคล

1. ให้ระมัดระวังและมีสติอยู่เสมอขณะใช้งานเครื่องมือไฟฟ้า อย่าใช้งานเครื่องมือไฟฟ้าในขณะที่คุณกำลังเหนื่อย หรือในสภาพที่มึนเมาจากยาเสพติด เครื่องดื่ม แอลกอฮอล์ หรือการเข้ายา ชั่วขณะที่ขาดความระมัดระวังเมื่อกำลังใช้งานเครื่องมือไฟฟ้าอาจทำให้ได้รับบาดเจ็บร้ายแรง
2. ใช้อุปกรณ์ป้องกันส่วนบุคคล สวมแว่นตาป้องกันเสมอ อุปกรณ์ป้องกัน เช่น หน้ากากกันฝุ่น รองเท้านิรภัย กันลื่น หมวกนิรภัย หรือเครื่องป้องกันการได้ยินที่ใช้ในสภาพที่เหมาะสมจะช่วยลดการบาดเจ็บ
3. ป้องกันไม่ให้เกิดการเปิดใช้งานโดยไม่ตั้งใจ ตรวจสอบให้แน่ใจว่าสวิตช์ปิดอยู่ก่อนที่จะเชื่อมต่อกับแหล่งจ่ายไฟ และ/หรือชุดแบตเตอรี่ รวมทั้งตรวจสอบก่อนการยกหรือเคลื่อนย้ายเครื่องมือ การถอดนิ้วมือบริเวณสวิตช์เพื่อถือเครื่องมือไฟฟ้า หรือการชาร์จไฟเครื่อง

- มือไฟฟ้าในขณะที่เปิดสวิตช์อยู่อาจนำไปสู่การเกิดอุบัติเหตุ
4. นำกฎแบริบตั้งหรือประแจออกก่อนที่จะเปิดเครื่องมือไฟฟ้า ประแจหรือกฎแบริบที่เสียบค้างอยู่ในชิ้นส่วนที่หมุนได้ของเครื่องมือไฟฟ้าอาจทำให้ได้รับบาดเจ็บ
5. อย่าทำงานในระยะที่ลุดเอื้อม จัดทำกรยีนและการทรงตัวให้เหมาะสมตลอดเวลย เพราะจะทำให้ควบคุมเครื่องมือไฟฟ้าได้ดีขึ้นในสถานการณ์ที่ไม่คาดคิด
6. แต่งกายให้เหมาะสม อย่าสวมเครื่องแต่งกายที่หลวมเกินไป หรือสวมเครื่องประดับ ดูแลไม่ให้เส้นผม เสื้อผ้า และถุงมืออยู่ใกล้ชิ้นส่วนที่เคลื่อนที่ เสื้อผ้า รุ่มร่าม เครื่องประดับ หรือผมที่มีความยาวอาจเข้าไปติดในชิ้นส่วนที่เคลื่อนที่
7. หากมีการจัดอุปกรณ์สำหรับดูดและจัดเก็บฝุ่นไว้ในสถานที่ ให้ตรวจสอบว่าได้เชื่อมต่อและใช้งานอุปกรณ์นั้นอย่างเหมาะสม การใช้เครื่องดูดและจัดเก็บฝุ่นจะช่วยลดอันตรายที่เกิดจากฝุ่นผงได้

การใช้และดูแลเครื่องมือไฟฟ้า

1. อย่าฝืนใช้เครื่องมือไฟฟ้า ใช้เครื่องมือไฟฟ้าที่เหมาะสมกับการใช้งานของคุณ เครื่องมือไฟฟ้าที่เหมาะสมจะทำให้ได้งานที่มีประสิทธิภาพและปลอดภัยกว่าตามขีดความสามารถของเครื่องที่ได้รับการออกแบบมา
2. อย่าใช้เครื่องมือไฟฟ้า หากสวิตช์ไม่สามารถเปิดปิดได้ เครื่องมือไฟฟ้าที่ควบคุมด้วยสวิตช์ไม่ได้เป็นสิ่งอันตรายและต้องได้รับการซ่อมแซม
3. ถอดปลั๊กจากแหล่งจ่ายไฟ และ/หรือชุดแบตเตอรี่ออกจากเครื่องมือไฟฟ้าก่อนทำการปรับตั้ง เปลี่ยนอุปกรณ์เสริม หรือจัดเก็บเครื่องมือไฟฟ้า วิธีการป้องกันด้านความปลอดภัยดังกล่าวจะช่วยลดความเสี่ยงของการเปิดใช้งานเครื่องมือไฟฟ้าอย่างไม่ตั้งใจ
4. จัดเก็บเครื่องมือไฟฟ้าที่ไม่ได้ใช้งานให้ห่างจากมือเด็ก และอย่าอนุญาตให้บุคคลที่ไม่คุ้นเคยกับเครื่องมือไฟฟ้าหรือคำแนะนำเหล่านี้ใช้งานเครื่องมือไฟฟ้า เครื่องมือไฟฟ้าจะเป็นอันตรายเมื่ออยู่ในมือของผู้ที่ไม่ได้รับการฝึกอบรม
5. การดูแลรักษาเครื่องมือไฟฟ้า ตรวจสอบการประกอบที่ไม่ถูกต้องหรือการเชื่อมต่อของชิ้นส่วนที่เคลื่อนที่ การแตกหักของชิ้นส่วน หรือสภาพอื่น ๆ ที่อาจส่งผลกระทบต่อการทำงานของเครื่องมือไฟฟ้า หากมีความเสียหาย ให้นำเครื่องมือไฟฟ้าไปซ่อมแซมก่อนการใช้งาน อุบัติเหตุจำนวนมากเกิดจากการดูแลรักษาเครื่องมือไฟฟ้าอย่างไม่ถูกต้อง
6. ทำความสะอาดเครื่องมือตัดและลับให้คมอยู่เสมอ เครื่องมือการตัดที่มีการดูแลอย่างถูกต้องและมีขอบ

การตัดคมมักจะมีปัญหาติดขัดเล็กน้อยและควบคุมได้ง่ายกว่า

7. ใช้เครื่องมือไฟฟ้า อุปกรณ์เสริม และวัสดุสิ้นเปลือง ฯลฯ ตามคำแนะนำดังกล่าว พิจารณาสภาพการทำงานและงานที่จะลงมือทำ การใช้เครื่องมือไฟฟ้าเพื่อทำงานอื่นนอกเหนือจากที่กำหนดไว้อาจทำให้เกิดอันตราย

การใช้งานและดูแลเครื่องมือที่ใช้แบตเตอรี่

1. ชาร์จไฟใหม่ด้วยเครื่องชาร์จที่ระบุโดยผู้ผลิตเท่านั้น เครื่องชาร์จที่เหมาะสมสำหรับชุดแบตเตอรี่ประเภทหนึ่ง อาจเสี่ยงที่จะเกิดไฟไหม้หากนำไปใช้กับชุดแบตเตอรี่อีกประเภทหนึ่ง
2. ใช้เครื่องมือไฟฟ้ากับชุดแบตเตอรี่ที่กำหนดมาโดยเฉพาะเท่านั้น การใช้ชุดแบตเตอรี่ประเภทอื่นอาจทำให้เสี่ยงที่จะได้รับบาดเจ็บและเกิดไฟไหม้
3. เมื่อไม่ใช้งานชุดแบตเตอรี่ ให้เก็บห่างจากรัดๆที่เป็นโลหะอื่นๆ เช่น คลิปหนีบกระดาษ เหรียญ กุญแจ กรรไกรตัดเล็บ สกรู หรือวัตถุที่เป็นโลหะขนาดเล็กอื่นๆ ที่สามารถเชื่อมต่อชั่วคราวกับอีกขั้วหนึ่งได้ การลัดวงจรชุดแบตเตอรี่อาจทำให้ร้อนจัดหรือเกิดไฟไหม้
4. ในกรณีที่ใช้งานไม่ถูกต้อง อาจมีของเหลวไหลออกจากแบตเตอรี่ ให้หลีกเลี่ยงการสัมผัส หากสัมผัสโดนของเหลวโดยไม่ได้ตั้งใจ ให้ล้างออกด้วยน้ำ หากของเหลวกระเด็นเข้าตา ให้รีบไปพบแพทย์ ของเหลวที่ไหลออกจากแบตเตอรี่อาจทำให้ผิวหนังระคายเคืองหรือไหม้

การซ่อมบำรุง

1. นำเครื่องมือไฟฟ้าเข้ารับบริการจากช่างซ่อมที่ผ่านการรับรองโดยช่างไหลแบบเดียวกันเท่านั้น เพราะจะทำให้การใช้เครื่องมือไฟฟ้ามีความปลอดภัย
2. ปฏิบัติตามคำแนะนำในการหล่อลื่นและการเปลี่ยนอุปกรณ์เสริม
3. ดูแลมือจับให้แห้ง สะอาด และไม่มีน้ำมันและจาระบีเปื้อน

คำเตือนด้านความปลอดภัยของไขควงไฟฟ้าแบบไร้สาย

1. ใช้มือจับเสริม หากมีมากับเครื่องมือ การสูญเสียการควบคุมอาจทำให้ได้รับบาดเจ็บ
2. ถือเครื่องมือไฟฟ้าบริเวณมือจับที่เป็นฉนวนเมื่อทำงานที่เครื่องมือตัดอาจสัมผัสกับสายไฟที่ซ่อนอยู่ หากอุปกรณ์ส่วนที่ใช้ตัดเกิดสัมผัสกับสายไฟที่ “มีกระแสไฟฟ้าไหลผ่าน” อาจทำให้ส่วนที่เป็นโลหะของเครื่องมือไฟฟ้าที่ไม่มีฉนวนหุ้มเกิดกระแสไฟฟ้าไหล

ผ่านได้ และส่งผลให้ผู้ปฏิบัติงานถูกไฟฟ้าช็อต

3. ถือเครื่องมือไฟฟ้าบริเวณมือจับที่เป็นฉนวนขณะทำงานที่สายรัดอาจสัมผัสกับสายไฟที่ซ่อนอยู่ สายรัดที่สัมผัสกับสายไฟที่ “มีกระแสไฟฟ้าไหลผ่าน” อาจทำให้ส่วนที่เป็นโลหะของเครื่องมือไฟฟ้าที่ไม่มีฉนวนหุ้ม “มีกระแสไฟฟ้าไหลผ่าน” และทำให้ผู้ปฏิบัติงานถูกไฟฟ้าช็อตได้
4. ตรวจสอบให้แน่ใจว่าได้ยึดอย่างมั่นคง หากใช้งานเครื่องมือในพื้นที่สูง ระวังอย่าให้มืออยู่ด้านล่าง
5. จับเครื่องมือให้แน่น
6. ระวังอย่าให้มือสัมผัสกับชิ้นส่วนที่หมุนได้
7. อย่าปล่อยให้เครื่องมือทำงานค้างไว้ ใช้งานเครื่องมือในขณะที่ถืออยู่เท่านั้น
8. ห้ามสัมผัสกับดอกสว่านหรือชิ้นงานทันทีที่ทำงานเสร็จ เนื่องจากดอกสว่านหรือชิ้นงานอาจมีความร้อนสูงและลวกผิวหนังของคุณได้
9. วัสดุบางอย่างอาจมีสารเคมีที่เป็นพิษ ระวังอย่าสูดดมฝุ่นหรือสัมผัสกับผิวหนัง ปฏิบัติตามข้อมูลด้านความปลอดภัยของผู้ผลิตวัสดุ

ปฏิบัติตามคำแนะนำเหล่านี้

คำเตือน: อย่าให้ความไม่ระมัดระวังหรือความคุ้นเคยกับผลิตภัณฑ์ (จากการใช้งานซ้ำหลายครั้ง) อยู่เหนือการปฏิบัติตามกฎเกณฑ์ด้านความปลอดภัยในการใช้งาน ผลิตภัณฑ์อย่างเคร่งครัด การใช้งานอย่างไม่เหมาะสมหรือการไม่ปฏิบัติตามกฎเกณฑ์ด้านความปลอดภัยในคู่มือการใช้งานนี้อาจทำให้ได้รับบาดเจ็บร้ายแรง

คำแนะนำเพื่อความปลอดภัยที่สำคัญสำหรับดัลล์แบตเตอรี่

1. ก่อนใช้งานดัลล์แบตเตอรี่ ให้อ่านคำแนะนำและเครื่องหมายเตือนทั้งหมดบน (1) เครื่องชาร์จแบตเตอรี่ (2) แบตเตอรี่ และ (3) ตัวผลิตภัณฑ์ที่ใช้แบตเตอรี่
2. ห้ามถอดแยกส่วนดัลล์แบตเตอรี่
3. หากระยะเวลาที่เครื่องทำงานสั้นเกินไป ให้หยุดใช้งานทันที เนื่องจากอาจมีความเสี่ยงที่จะร้อนจัดไหม้หรือระเบิดได้
4. หากสารละลายอิเล็กโทรไลต์กระเด็นเข้าตา ให้ล้างออกด้วยน้ำเปล่าและรีบไปพบแพทย์ทันที เนื่องจากอาจทำให้ตาบอด
5. ห้ามลัดวงจรดัลล์แบตเตอรี่:
 - (1) ห้ามแตะขั้วกับวัตถุที่เป็นสื่อไฟฟ้าใดๆ
 - (2) หลีกเลี่ยงการเก็บดัลล์แบตเตอรี่ไว้ในภาชนะรวม

กับวัตถุที่เป็นโลหะ เช่น กรรไกรตัดเล็บ เหยี่ยง ฯลฯ

- (3) อย่าให้ดัลับแบตเตอรี่ถูกน้ำหรือฝน แบตเตอรี่ที่ดวงจระอาจทำให้เกิดการไหลของกระแสไฟฟ้า ร้อนจัด ไหม้หรือเสียหายได้
6. ห้ามเก็บเครื่องมือและดัลับแบตเตอรี่ไว้ในสถานที่ที่มีอุณหภูมิสูงถึงหรือเกิน 50 °C
7. ห้ามเผาดัลับแบตเตอรี่ทิ้ง แม้ว่าแบตเตอรี่จะเสียหายจนใช้การไม่ได้หรือเสื่อมสภาพแล้ว ดัลับแบตเตอรี่อาจจะระเบิดในกองไฟ
8. ระมัดระวังอย่าทำแบตเตอรี่ตกหล่นหรือกระทบกระแทก
9. ห้ามใช้แบตเตอรี่ที่เสียหาย
10. ปฏิบัติตามข้อบังคับในท้องถิ่นที่เกี่ยวกับการกำจัดแบตเตอรี่

ปฏิบัติตามคำแนะนำเหล่านี้

⚠ ข้อควรระวัง: ใช้แบตเตอรี่ของแท้จาก Makita เท่านั้น การใช้แบตเตอรี่ Makita ที่ไม่แท้ หรือแบตเตอรี่ที่ถูกเปลี่ยน อาจทำให้แบตเตอรี่ระเบิด ก่อให้เกิดเพลิงลุกไหม้ การบาดเจ็บ และความเสียหายได้ และจะทำให้การรับประกันของ Makita สำหรับเครื่องมือและแท่นชาร์จของ Makita เป็นโมฆะด้วย

เคล็ดลับในการรักษาอายุการใช้งานของแบตเตอรี่ให้ยาวนานที่สุด

1. ชาร์จดัลับแบตเตอรี่ก่อนที่ไฟจะหมด หยุดการใช้งานแล้วชาร์จประจุไฟฟ้าใหม่ทุกครั้งเมื่อคุณรู้สึกว่าคุณปรารถนามีกำลังลดลง
2. อย่าชาร์จดัลับแบตเตอรี่ที่มีไฟเต็มแล้ว การชาร์จประจุไฟฟ้ามากเกินไปอาจจะทำให้อายุการใช้งานของดัลับแบตเตอรี่สั้นลง
3. ชาร์จประจุไฟฟ้าดัลับแบตเตอรี่ในห้องที่มีอุณหภูมิระหว่าง 10 °C - 40 °C ปลดปล่อยดัลับแบตเตอรี่เย็นลงก่อนที่จะชาร์จไฟ

คำอธิบายการทำงาน

⚠ ข้อควรระวัง: ตรวจสอบให้แน่ใจว่าได้ปิดสวิตช์เครื่องมือและถอดดัลับแบตเตอรี่ออกก่อนปรับตั้งหรือตรวจสอบการทำงานของเครื่องมือ

การใส่หรือการถอดดัลับแบตเตอรี่

⚠ ข้อควรระวัง: ปิดสวิตช์เครื่องมือก่อนทำการติดตั้งหรือการถอดดัลับแบตเตอรี่ทุกครั้ง

⚠ ข้อควรระวัง: ถือเครื่องมือและดัลับแบตเตอรี่ให้แน่นในระหว่างการติดตั้งหรือการถอดดัลับแบตเตอรี่ หากไม่ถือเครื่องมือและดัลับแบตเตอรี่ให้แน่น อาจทำให้ดัลับแบตเตอรี่และเครื่องมือลื่นหลุดมือ และทำให้เครื่องมือและดัลับแบตเตอรี่เสียหายหรือได้รับบาดเจ็บได้

- **หมายเลข 1:** 1. ไฟแสดงสถานะสีแดง 2. ปุ่ม 3. ดัลับแบตเตอรี่

เมื่อต้องการถอดดัลับแบตเตอรี่ ให้เลื่อนปุ่มที่ด้านหน้าของดัลับแล้วดึงออกจากเครื่องมือ

เมื่อต้องการติดตั้งดัลับแบตเตอรี่ ให้จัดแนวสับนดัลับแบตเตอรี่ให้ตรงกับร่องบนตัวเครื่องมือ แล้วเลื่อนดัลับแบตเตอรี่เข้าที่ ติดตั้งดัลับแบตเตอรี่เข้าจนสุดจนกระทั่งได้ยินเสียงคลิกล็อกเข้าที่ หากยังเห็นส่วนสีแดงที่ด้านบนของปุ่ม แสดงว่าดัลับแบตเตอรี่ยังไม่ล็อกเข้าที่

⚠ ข้อควรระวัง: ให้ดันดัลับแบตเตอรี่เข้าจนสุดจนไม่เห็นส่วนสีแดงอีก ไม่เช่นนั้น ดัลับแบตเตอรี่อาจหลุดออกจากเครื่องมือทำให้คุณหรือคนรอบข้างได้รับบาดเจ็บ

⚠ ข้อควรระวัง: อย่าฝืนติดตั้งดัลับแบตเตอรี่โดยใช้แรงมากเกินไป หากดัลับแบตเตอรี่ไม่เลื่อนเข้าไปโดยง่าย แสดงว่าใส่ไม่ถูกต้อง

ระบบป้องกันแบตเตอรี่

เครื่องมือจะมีระบบการป้องกันแบตเตอรี่ ระบบนี้จะทำการตัดพลังงานของมอเตอร์โดยอัตโนมัติเพื่อยืดอายุแบตเตอรี่ เครื่องมือจะหยุดทำงานโดยอัตโนมัติระหว่างการใช้งาน เมื่อเครื่องมือและ/หรือแบตเตอรี่อยู่ภายใต้สถานการณ์ต่อไปนี้:

ทำงานหนักเกินไป:

ใช้งานเครื่องมือในลักษณะที่อาจใช้กระแสไฟฟ้าสูงผิดปกติ ในกรณีนี้ ให้ปิดเครื่องมือและหยุดการใช้งานในลักษณะที่อาจทำให้เครื่องมือทำงานหนักเกินไป แล้วเปิดเครื่องมือเพื่อเริ่มทำงานอีกครั้ง

หากเครื่องมือไม่เริ่มทำงาน แสดงว่าแบตเตอรี่ร้อนเกินไป ในกรณีนี้ ให้ปล่อยแบตเตอรี่ให้เย็นลงก่อนที่จะเปิดเครื่องมืออีกครั้ง

แรงดันไฟฟ้ากับแบตเตอรี่ต่ำ:

พลังงานในแบตเตอรี่เหลือน้อยเกินไปและเครื่องมือจะไม่ทำงาน หากคุณเปิดใช้เครื่องมือ มอเตอร์จะเริ่มทำงานอีกครั้ง แต่อีกสักพักจะหยุดทำงาน ในสถานการณ์นี้ ให้ถอดแบตเตอรี่ออกแล้วชาร์จแบตเตอรี่ใหม่

การระบุระดับพลังงานแบตเตอรี่ที่เหลืออยู่

สำหรับดัลบีแบตเตอรี่ที่มีตัว "B" ตรงท้ายหมายเลขรุ่นเท่านั้น

▶ หมายเลข 2: 1. ไฟแสดงสถานะ 2. ปุ่มตรวจสอบ

กดปุ่ม ตรวจสอบ บนดัลบีแบตเตอรี่เพื่อดูปริมาณแบตเตอรี่ที่เหลือ ไฟแสดงสถานะจะสว่างขึ้นเป็นเวลาสองสามวินาที

ไฟแสดงสถานะ		แบตเตอรี่ที่เหลือ
ไฟสว่าง	ดับ	
■ ■ ■ ■	□	75% ถึง 100%
■ ■ ■ □	□	50% ถึง 75%
■ ■ □ □	□ □	25% ถึง 50%
■ □ □ □	□ □ □ □	0% ถึง 25%

หมายเหตุ: ขึ้นอยู่กับสภาพการใช้งานและอุณหภูมิ โดยรอบ การแสดงสถานะอาจจะแตกต่างจากปริมาณแบตเตอรี่จริงเล็กน้อย

การทำงานของสวิตช์

▶ หมายเลข 3: 1. สวิตช์สั่งงาน

⚠ ข้อควรระวัง: ก่อนใส่ดัลบีแบตเตอรี่ลงในเครื่องมือ ให้ตรวจสอบว่าสวิตช์สั่งงานสามารถทำงานได้อย่างถูกต้อง และกลับไปยังตำแหน่ง "ปิด" เมื่อปล่อย

เมื่อต้องการเปิดใช้เครื่องมือ ให้ดึงสวิตช์สั่งงาน ความเร็วเครื่องมือจะเพิ่มขึ้นเมื่อออกแรงกดที่สวิตช์สั่งงาน ปล่อยสวิตช์สั่งงานเพื่อหยุดทำงาน

หมายเหตุ: เครื่องมือจะหยุดทำงานโดยอัตโนมัติหากคุณดึงสวิตช์สั่งงานไว้นานเกิน 6 นาที

การเปิดดวงไฟด้านหลัง

▶ หมายเลข 4: 1. ดวงไฟ

⚠ ข้อควรระวัง: อย่ามองเข้าไปในดวงไฟหรือจ้องดูแหล่งกำเนิดแสงโดยตรง

ดึงสวิตช์สั่งงานเพื่อเปิดไฟ ดวงไฟจะดับลงเมื่อปล่อยสวิตช์สั่งงาน ดวงไฟจะดับลงภายในเวลาประมาณ 10 วินาทีหลังจากปล่อยสวิตช์สั่งงาน

หมายเหตุ: ใช้ผ้าแห้งเพื่อเช็ดสิ่งสกปรกออกจากเลนส์ของดวงไฟ ระวังอย่าขีดข่วนเลนส์ของดวงไฟ ไม่เช่นนั้น อาจทำให้ส่องสว่างได้น้อยลง

หมายเหตุ: เมื่อเครื่องมือมีอุณหภูมิสูงเกินไป ดวงไฟจะกระพริบเป็นเวลาหนึ่งนาที หลังจากนั้นดวงไฟ LED จะดับลง ในกรณีนี้ ให้รอจนเครื่องมือเย็นลงก่อนแล้วค่อยใช้งานต่อ

การใช้งานสวิตช์เปลี่ยนทิศทาง

▶ หมายเลข 5: 1. ก้านสวิตช์เปลี่ยนทิศทาง

⚠ ข้อควรระวัง: ตรวจสอบทิศทางการหมุนก่อนการใช้งานเสมอ

⚠ ข้อควรระวัง: ใช้สวิตช์เปลี่ยนทิศทางหลังจากเครื่องมือหยุดสนิทแล้วเท่านั้น การเปลี่ยนทิศทางก่อนเครื่องมือหยุดสนิทอาจทำให้เครื่องมือเสียหายได้

⚠ ข้อควรระวัง: เมื่อไม่ได้ใช้งานเครื่องมือ ให้เลื่อนก้านสวิตช์เปลี่ยนทิศทางไปที่ตำแหน่งปกติเสมอ

เครื่องมือนี้ไม่มีสวิตช์เปลี่ยนทิศทาง เพื่อใช้เปลี่ยนทิศทาง การหมุน ดันก้านสวิตช์เปลี่ยนทิศทางจากด้าน A เพื่อให้หมุนตามเข็มนาฬิกา หรือจากด้าน B เพื่อให้หมุนทวนเข็มนาฬิกา

เมื่อก้านสวิตช์เปลี่ยนทิศทางอยู่ในตำแหน่งปกติ สวิตช์สั่งงานจะไม่สามารถดึงได้

การเปลี่ยนความเร็ว

▶ หมายเลข 6: 1. ก้านเปลี่ยนความเร็ว

⚠ ข้อควรระวัง: ตรวจสอบก้านเปลี่ยนระดับความเร็วให้อยู่ในตำแหน่งที่ถูกตั้งเสมอ หากคุณใช้งานเครื่องมือโดยที่ก้านเปลี่ยนระดับความเร็วอยู่กึ่งกลางระหว่าง "1" และ "2" เครื่องมืออาจเสียหายได้

⚠ ข้อควรระวัง: ห้ามใช้ก้านเปลี่ยนระดับความเร็วในขณะที่เครื่องมือกำลังทำงานอยู่ เครื่องมืออาจเสียหายได้

ตำแหน่งของก้านเปลี่ยนความเร็ว	ความเร็ว	แรงบิด	การทำงานที่เหมาะสม
1	ต่ำ	สูง	การทำงานโหลดหนัก
2	สูง	ต่ำ	การทำงานโหลดเบา

เพื่อเปลี่ยนความเร็ว ให้ปิดสวิตช์เครื่องมือก่อน เลือกด้าน "2" สำหรับความเร็วสูงหรือ "1" สำหรับความเร็วต่ำแต่แรง

บิตสูง ตรวจสอบให้แน่ใจว่าท่านเปลี่ยนระดับความเร็วอยู่ในตำแหน่งที่ถูกต้องก่อนการใช้งาน หากความเร็วเครื่องมือลดลงอย่างมากระหว่างการทำงาน ด้วย “2” ให้เลื่อนกลับไป “1” และเริ่มการทำงานใหม่

การปรับแรงบิดขั้นแน่น

► หมายเลข 7: 1. แหวนปรับ 2. เลขบอกระดับ 3. ลูกศร

สามารถปรับแรงบิดขั้นแน่นได้ใน 21 ขั้นตอนโดยการหมุนแหวนปรับ ปรับเลขบอกระดับด้วยลูกศรบนตัวเครื่องมือ คุณสามารถสร้างแรงบิดขั้นแน่นต่ำสุดได้ที่ 1 และแรงบิดสูงสุดตามเครื่องหมาย E คลัตช์จะผ่านระดับแรงบิดต่างๆ เมื่อตั้งค่าไว้ที่เลข 1 ถึง 20 คลัตช์ไม่ทำงานตามเครื่องหมาย E ก่อนที่จะทำงานจริง ให้ลองทดสอบชิ้นสกรูลงในวัสดุหรือชิ้นวัสดุที่เหมือนกันเพื่อกำหนดว่าระดับแรงบิดเท่าใดที่ต้องการสำหรับการใช้งานนั้นๆ นี่เป็นแนวทางคร่าวๆ เพื่อแสดงถึงความสัมพันธ์ระหว่างขนาดสกรูและเลขบอกระดับ

เลขบอกระดับ	1	2	3	4	5	6	7	8	9	10	11	12	13	14	15	16	17	18	19	20
สกรูยึดโลหะ	M4			M5						M6										
สกรูยึดไม้	ไม้เนื้ออ่อน (เช่น สน)	—			$\phi 3.5 \times 22$			$\phi 4.1 \times 38$			—									
	ไม้เนื้อแข็ง (เช่น ต้น รัง)	—			$\phi 3.5 \times 22$			$\phi 4.1 \times 38$			—									

การประกอบ

⚠ ข้อควรระวัง: ตรวจสอบให้แน่ใจว่าได้ปิดสวิตช์เครื่องมือและถอดด้ามแบตเตอรี่ออกก่อนดำเนินการใดๆ กับเครื่องมือ

การติดตั้งและถอดดอกไขควงหรือดอกสว่าน

สำหรับรุ่น **DF332D (อุปกรณ์เสริม)**

► หมายเลข 8: 1. ปลอก 2. บิต 3. เปิด

หมุนปลอกทวนเข็มนาฬิกาเพื่อเปิดปากหัวจับ ใส่ดอกไขควงหรือดอกสว่านลงไปให้หัวจับจนสุด หมุนปลอกตามเข็มนาฬิกาเพื่อขันหัวจับให้แน่น เพื่อถอดดอกไขควงหรือดอกสว่านออก ให้หมุนปลอกทวนเข็มนาฬิกา

การติดตั้งและถอดดอกไขควงหรือหัวบ็อกซ์ดอกสว่าน

สำหรับรุ่น **DF032D (อุปกรณ์เสริม)**

► หมายเลข 9

ใช้เฉพาะดอกไขควงหรือหัวบ็อกซ์ที่มีแกนเสียบดั่งที่แสดงในภาพ ห้ามใช้ดอกไขควง/หัวบ็อกซ์แบบอื่น

สำหรับเครื่องมือที่มีรูดอกไขควงต้น

A = 12 mm B = 9 mm	ใช้เฉพาะดอกไขควงชนิดนี้ โดยทำตามขั้นตอน 1 (หมายเหตุ) ไม่ต้องใช้ตัวต่อ
-----------------------	---

สำหรับเครื่องมือที่มีรูดอกไขควงลึก

A = 17 mm B = 14 mm	เมื่อต้องการติดตั้งดอกไขควงชนิดนี้ ให้ทำตามขั้นตอน 1
A = 12 mm B = 9 mm	เมื่อต้องการติดตั้งดอกไขควงชนิดนี้ ให้ทำตามขั้นตอน 2 (หมายเหตุ) ต้องใช้ตัวต่อเพื่อติดตั้งดอกไขควง

1. เมื่อต้องการติดตั้งดอกไขควง ให้ดึงปลอกตามทิศทางลูกศร และใส่ดอกไขควงลงในปลอกจนสุด

จากนั้นปล่อยปลอกเพื่อยึดดอกไขควง

▶ **หมายเลข 10:** 1. ดอกไขควง 2. ปลอก

2. เมื่อต้องการติดตั้งดอกไขควง ให้ดึงปลอกตามทิศทางลูกศร และใส่ตัวต่อและดอกไขควงลงในปลอกจนสุด ควรใส่ตัวต่อลงในปลอกโดยหันปลายแหลมเข้า จากนั้นปล่อยปลอกเพื่อยึดดอกไขควง

▶ **หมายเลข 11:** 1. ดอกไขควง 2. ตัวต่อดอกไขควง 3. ปลอก

เมื่อต้องการถอดดอกไขควง ให้ดึงปลอกตามทิศทางลูกศร และดึงดอกไขควงออก

หมายเหตุ: หากใส่ดอกไขควงลงในปลอกลึกไม่เพียงพอ ปลอกจะไม่กลับคืนสู่ตำแหน่งเดิม และดอกไขควงจะไม่ถูกยึดแน่น ในกรณีนี้ ให้ลองใส่ดอกไขควงลงไปอีกครั้ง ตามคำแนะนำด้านบน

หมายเหตุ: หลังจากใส่ดอกไขควงแล้ว ตรวจสอบให้แน่ใจว่าดอกไขควงยึดแน่นดีแล้ว หากดอกไขควงหลุดออกมา ห้ามนำไปใช้งาน

ข้อเกี่ยวดัดตั้ง

▶ **หมายเลข 12:** 1. ร่อง 2. ข้อเกี่ยว 3. สกรู

ข้อเกี่ยวให้ความสะดวกสำหรับการแขวนเครื่องมือไว้ชั่วคราว ซึ่งสามารถติดตั้งไว้ที่ด้านใดด้านหนึ่งของเครื่องมือ เมื่อต้องการติดตั้งข้อเกี่ยว ให้ใส่ข้อเกี่ยวลงในร่องบนตัวเครื่องมือที่ด้านใดด้านหนึ่ง แล้วยึดติดไว้ด้วยสกรู เมื่อต้องการถอดออก ให้คลายสกรูแล้วดึงออกมา

การติดตั้งที่ยึดดอกไขควง

อุปกรณ์เสริม

▶ **หมายเลข 13:** 1. ที่ยึดดอกไขควง 2. ดอกไขควง

ติดตั้งที่ยึดดอกไขควงเข้ากับส่วนที่ยื่นออกมาที่ด้านล่างของเครื่องมือหรือด้านซ้ายหรือขวาแล้วขันด้วยสกรูให้แน่น เมื่อไม่ได้ใช้ดอกไขควง ให้เก็บไว้ในที่เก็บดอกไขควง คุณจะสามารถเก็บดอกไขควงยาว 45 mm ไว้ตรงนั้นได้

การใช้งาน

⚠ **ข้อควรระวัง:** ให้แน่ใจว่าใส่ด้ามจับแบบเดือรีเข้าจนสุดจนกระทั่งได้ยินเสียงล็อกเข้าที่ หากยังเห็นส่วนสีแดงที่ด้านบนของปุ่ม แสดงว่าด้ามจับแบบเดือรียังไม่ล็อกเข้าที่ ให้ดันด้ามจับแบบเดือรีเข้าจนสุดจนไม่เห็นส่วนสีแดงอีก ไม่งั้นนั้น ด้ามจับแบบเดือรีอาจหลุดออกจากเครื่องมือทำให้คุณหรือคนรอบข้างได้รับบาดเจ็บ

⚠ **ข้อควรระวัง:** เมื่อความเร็วลดลงอย่างมาก ให้ลดน้ำหนักโหลดหรือหยุดเครื่องมือเพื่อหลีกเลี่ยงไม่ให้เครื่องมือเสียหาย

ใช้มือข้างหนึ่งจับเครื่องมือที่ด้ามจับให้แน่น และใช้มืออีกข้างหนึ่งจับที่ด้านล่างของด้ามจับแบบเดือรีเพื่อควบคุมการบิดตัว

▶ **หมายเลข 14**

การใช้งานขั้นสูง

⚠ **ข้อควรระวัง:** หมุนแหวนปรับไปยังระดับแรงบิดที่เหมาะสมกับงานของคุณ

⚠ **ข้อควรระวัง:** ตรวจสอบให้แน่ใจว่าวางดอกไขควงตรงกับหัวสกรู ไม่เช่นนั้น สกรูและ/หรือดอกไขควงอาจเสียหายได้

วางปลายดอกไขควงที่หัวสกรูและออกแรงดันเครื่องมือ เริ่มใช้งานเครื่องมือด้วยความเร็วต่ำ แล้วค่อยๆ เพิ่มความเร็ว ปล่อยสวิตช์สั่งงานทันทีที่คลัตช์ทำงาน

หมายเหตุ: เมื่อขันเข้าเนื้อไม้ ให้ขันรูนำร่องขนาดเส้น 2/3 ของเส้นผ่านศูนย์กลางของสกรูก่อน การกระทำดังกล่าวจะทำให้สามารถขันได้ง่ายและไม่ทำให้ชิ้นงานแตก

การเจาะ

ขั้นแรกให้หมุนแหวนปรับจนลูกศรชี้ไปที่เครื่องหมาย II จากนั้นทำตามขั้นตอนต่อไป

การเจาะไม้

เพื่อให้ได้ผลดีในการเจาะไม้ ควรใช้ส่วนเจาะไม้ควบคู่กับสกรูนำ สกรูนำจะช่วยให้การเจาะง่ายขึ้น โดยการดึงดอกสว่านลงในชิ้นงาน

การเจาะโลหะ

เพื่อป้องกันดอกสว่านเลื่อนเมื่อเริ่มเจาะรู ให้ทำรอยตัดด้วยเหล็กเจาะนำศูนย์และค้อนในจุดที่จะเจาะ วางปลายดอกสว่านที่รอยตัด และเริ่มเจาะ

ใช้สารหล่อลื่นสำหรับการตัดเมื่อเจาะโลหะ ยกเว้นการเจาะ เหล็กและทองเหลือง ซึ่งควรเจาะแบบแห้ง

⚠ ข้อควรระวัง: การออกแรงกดบนเครื่องมือไม่ช่วยให้การเจาะเร็วขึ้น ตามข้อเท็จจริงแล้ว แรงกดที่มากเกินไปจะทำให้ปลายดอกสว่านเสียหาย ลดประสิทธิภาพและอายุการใช้งานของเครื่องมือ

⚠ ข้อควรระวัง: จับเครื่องมือให้แน่น และระมัดระวังเมื่อดอกสว่านเริ่มเจาะทะลุชิ้นงาน จะมีแรงกดบนเครื่องมือ/ดอกสว่านอย่างมากขณะเจาะรู

⚠ ข้อควรระวัง: ดอกสว่านที่ติดอยู่ที่ชิ้นงานสามารถนำออกมาได้ง่ายโดยการเลื่อนสวิตช์เปลี่ยนทิศทางให้ดอกสว่านหมุนย้อนกลับ อย่างไรก็ตาม เครื่องมืออาจจะถอยออกทันทีโดยที่คุณไม่ทันตั้งตัว คุณจึงควรจับเครื่องมือไว้ให้แน่น

⚠ ข้อควรระวัง: ยึดชิ้นงานขนาดเล็กด้วยปากกาจับงานหรืออุปกรณ์ยึดที่คล้ายคลึงกันเสมอ

⚠ ข้อควรระวัง: หากใช้งานเครื่องมืออย่างต่อเนื่องจนกระทั่งดับแบตเตอรี่หมดไฟ ให้พักเครื่องมือไว้ประมาณ 15 นาทีก่อนใส่แบตเตอรี่ที่ชาร์จไฟใหม่

การใช้เครื่องมือเป็นไขควงมือหมุน

▶ หมายเลข 15

ปิดเครื่องมือ

ขยับก้านสวิตช์ถอยหลังกลับสู่ตำแหน่งปกติ

หมุนแหวนปรับโดยให้ลูกศรชี้ไปที่เครื่องหมาย 8

หมุนเครื่องมือ

หมายเหตุ: การใช้งานประเภทนี้เหมาะสมสำหรับการตรวจสอบการขันสกรู

หมายเหตุ: อย่าใช้เครื่องมือเพื่อทำงานที่ต้องใช้แรงมากเป็นพิเศษ เช่น การขันสลักเกลียวหรือถอดสกรูที่เป็นสนิม

การใช้ของหนัง

อุปกรณ์เสริม

⚠ ข้อควรระวัง: เมื่อใช้ของหนัง ให้ถอดดอกไขควง/ดอกสว่านออกจากเครื่องมือ

⚠ ข้อควรระวัง: ปิดเครื่องมือแล้วรอให้เครื่องมือหยุดสนิทก่อนใส่ของ ตรวจสอบให้แน่ใจว่าได้ปิดของอย่างแน่นหนาด้วยกระดุมเพื่อเก็บรักษาเครื่องมืออย่างปลอดภัย

1. สอดเข็มขัดหรืออุปกรณ์อื่นๆ ผ่านทางรูยึดของ

▶ หมายเลข 16: 1. ที่ยึดของ 2. เข็มขัดคาดเอว

2. ใส่เครื่องมือในช่องแล้วล็อกด้วยประดุม

▶ หมายเลข 17

▶ หมายเลข 18

คุณสามารถเก็บดอกไขควงไว้สอดดอกที่ด้านหน้าของของหนัง

การบำรุงรักษา

⚠ ข้อควรระวัง: ตรวจสอบให้แน่ใจว่าได้ปิดสวิตช์เครื่องมือและถอดด้ามแบตเตอรี่ออกก่อนทำการตรวจสอบหรือบำรุงรักษา

ข้อสังเกต: อย่าใช้น้ำมันเชื้อเพลิง เบนซิน ทินเนอร์ แอลกอฮอล์ หรือวัสดุประเภทเดียวกัน เนื่องจากอาจทำให้ลื่นหรือเสียหายได้

เพื่อความปลอดภัยและแนวข้อถือของผลิตภัณฑ์ ควรให้ศูนย์บริการหรือโรงงานที่ผ่านการรับรองจาก Makita เป็นผู้ดำเนินการซ่อมแซม บำรุงรักษาและทำการปรับตั้งอื่นๆ นอกจากนี้ให้ใช้อะไหล่ของแท้จาก Makita เสมอ

อุปกรณ์เสริม

⚠ ข้อควรระวัง: ขอแนะนำให้ใช้เฉพาะอุปกรณ์เสริมหรืออุปกรณ์ต่อพ่วงเหล่านี้กับเครื่องมือ Makita ที่ระบุในคู่มือการใช้งานอุปกรณ์เสริมหรืออุปกรณ์ต่อพ่วงอื่นๆ อาจมีความเสี่ยงที่จะได้รับบาดเจ็บ ใช้อุปกรณ์เสริมหรืออุปกรณ์ต่อพ่วงตามวัตถุประสงค์ที่ระบุไว้เท่านั้น

หากต้องการทราบรายละเอียดเพิ่มเติมเกี่ยวกับอุปกรณ์เสริมเหล่านี้ โปรดสอบถามศูนย์บริการ Makita ใกล้บ้านคุณ

- ดอกสว่าน
- ดอกไขควง
- หัวบีบอช
- ดอกไขควง
- ที่ยึดดอกไขควง
- ซอง
- กระเป๋าดึงพลาสติก
- ของเกี่ยว
- แบตเตอรี่และเครื่องชาร์จ Makita ของแท้

หมายเหตุ: อุปกรณ์บางรายการอาจจะรวมอยู่ในชุดเครื่องมือเป็นอุปกรณ์มาตรฐาน ซึ่งอาจแตกต่างกันไปในแต่ละประเทศ

Makita Corporation

Anjo, Aichi, Japan

www.makita.com

885466-370 EN, ID, VI, TH 20150929
--