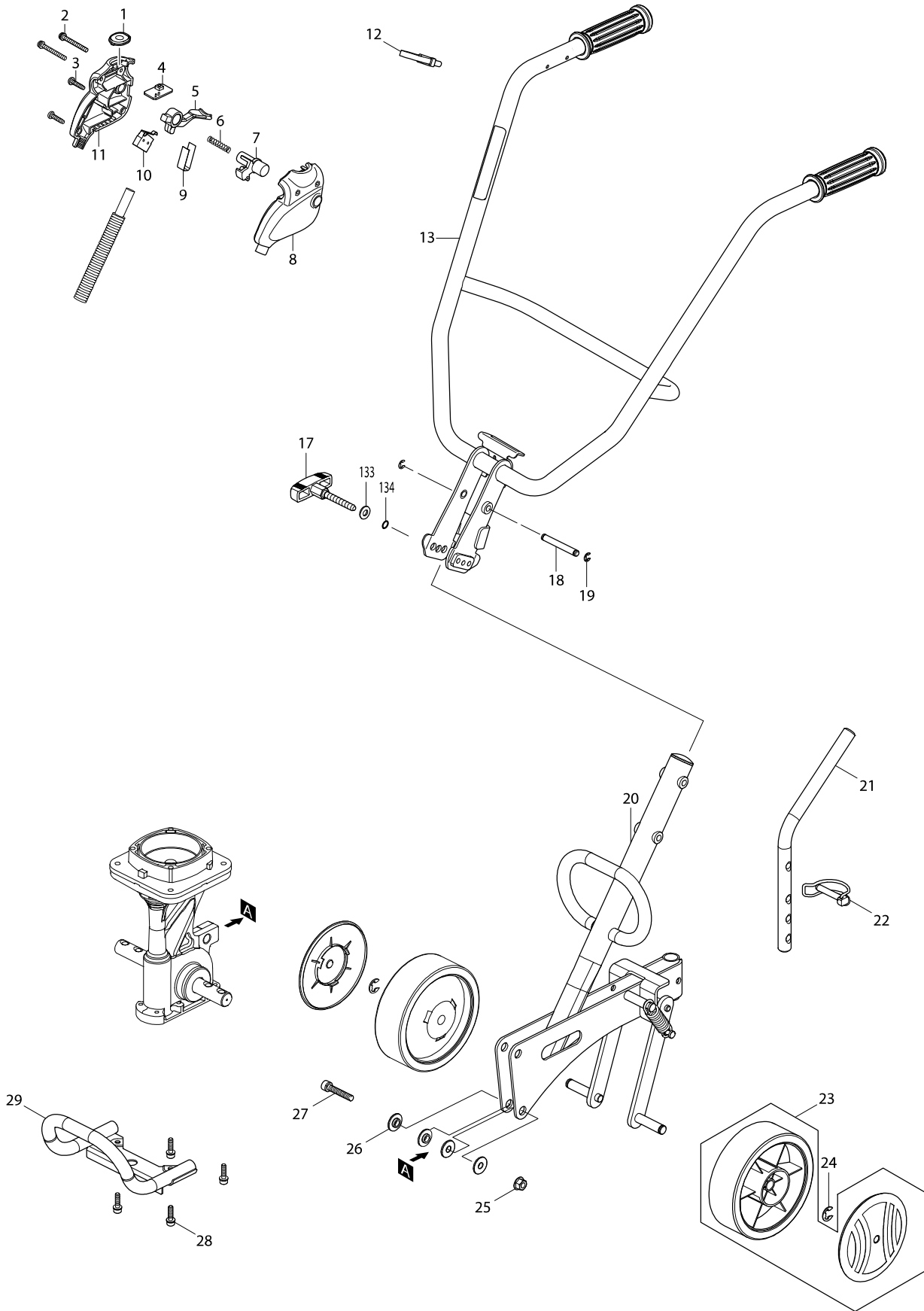
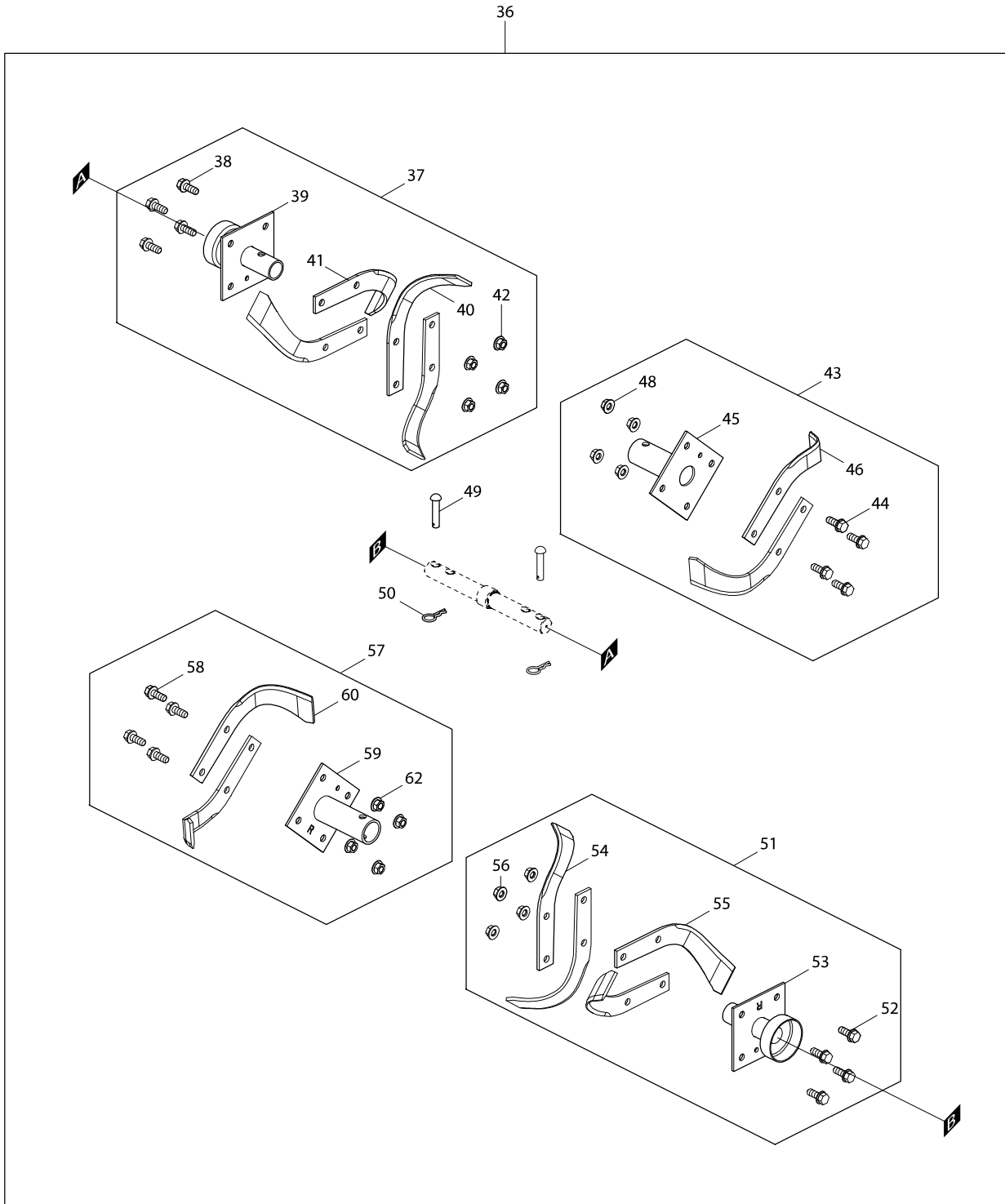


Model No. UK360D CORDLESS CULTIVATOR

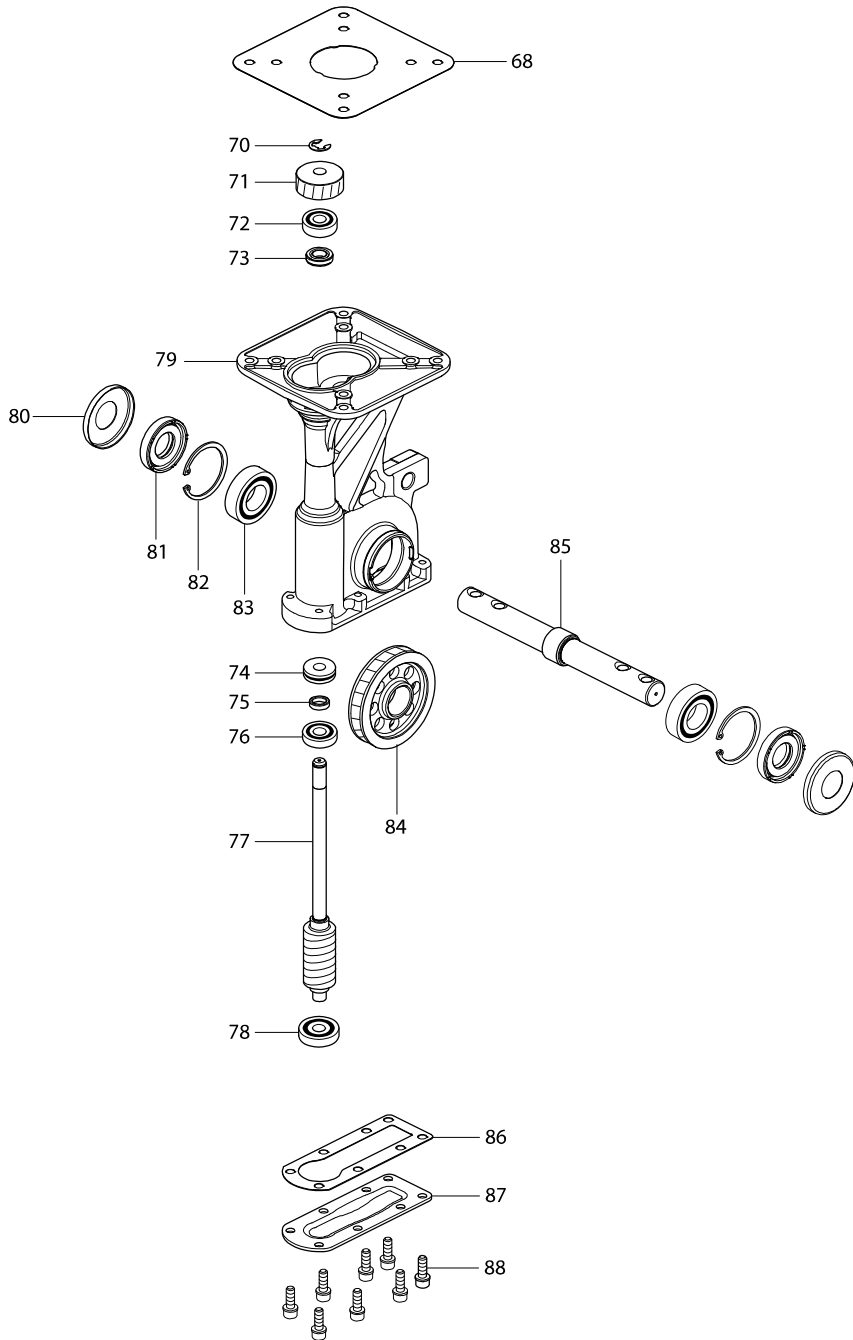


Model No. UK360D CORDLESS CULTIVATOR



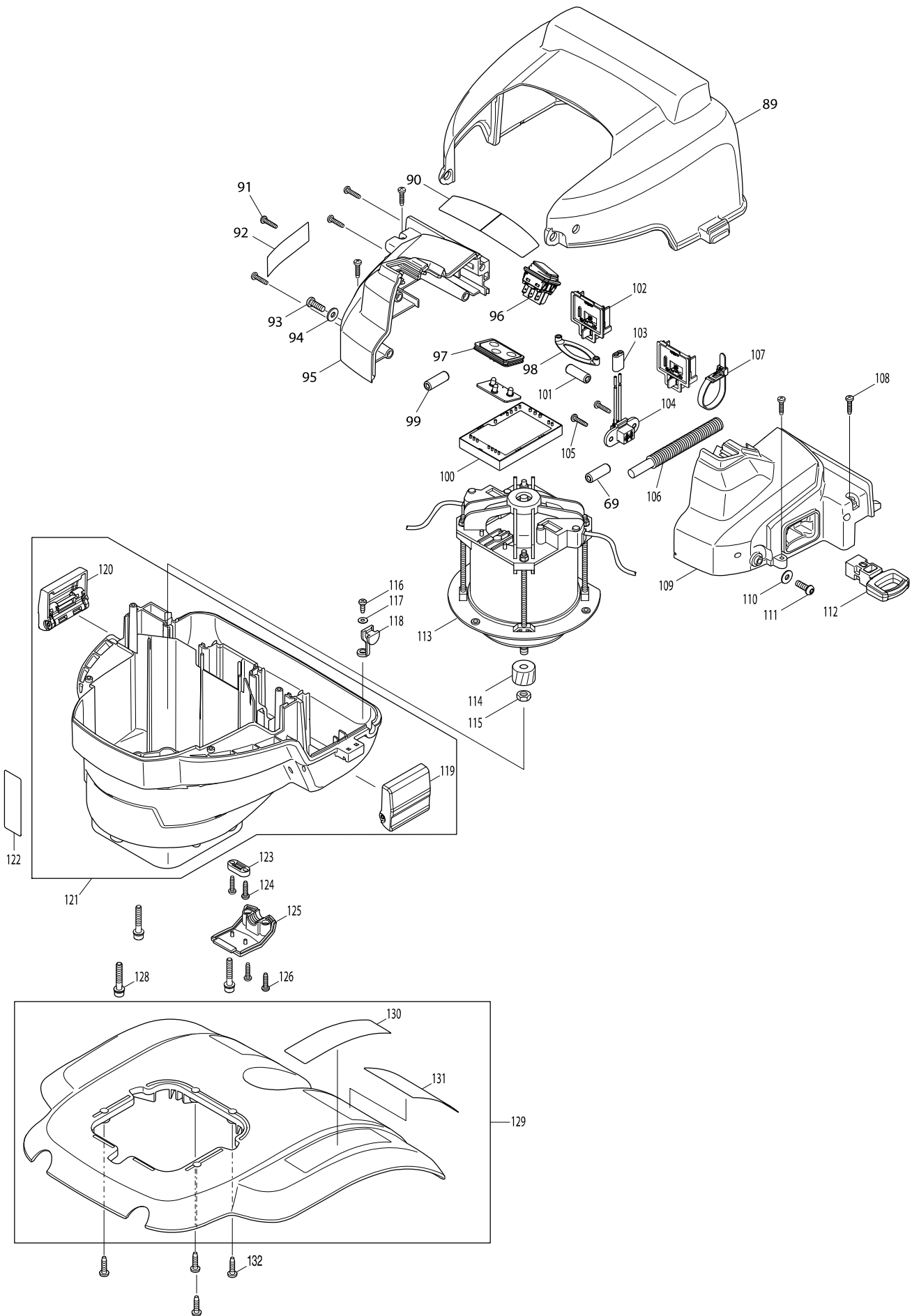
2012/01
UK360D 2/4

Model No. UK360D CORDLESS CULTIVATOR



2012/01
UK360D 3/4

Model No. UK360D CORDLESS CULTIVATOR



Model No. UK360D CORDLESS CULTIVATOR

Item	Parts No.	Description	I/C	Qty	N/O	Sales	Purch.	Note
001	141627-8	SWITCH PLATE COMPLETE		1				
002	911163-6	PAN HEAD SCREW M4X35		2				
003	265995-6	TAPPING SCREW 4X18		2				
004	620155-1	SWITCH UNIT		1				
005	453745-3	SWITCH LEVER		1				
006	233117-6	COMPRESSION SPRING 6		1				
007	453746-1	LOCK OFF BUTTON		1				
008	187349-6	SWITCH BOX SET		1				
D10		INC. 11						
009	346607-1	LEAF SPRING		1				
010	650612-5	SWITCH ABS163454		1				
011	187349-6	SWITCH BOX SET		1				
D10		INC. 8						
012	687410-4	BAND		1				
013	141653-7	HANDLE COMPLETE		1				
C10	273533-0	GRIP 34		2				
C20	898900-4	INDICATION LABEL		1				
017	271615-2	KNOB 64		1				
018	256531-9	PIN 8		1				
019	961012-7	STOP RING E-6		2	*			
019-1	259053-8	STOP RING E-6	O	2				
020	141854-7	FRAME COMPLETE		1	*			
C10	231879-0	TENSION SPRING 13		1	*			
C20	453039-6	CAP 32		1	*			
C30	800N13-3	CAUTION LABEL		1	*			
020-1	142377-8	FRAME COMPLETE	O	1				
C10	231879-0	TENSION SPRING 13		1				
C20	453039-6	CAP 32		1				
C30	800N13-3	CAUTION LABEL		1				
021	326106-9	BAR		1				
022	126062-1	PIPE PIN ASSEMBLY		1				
023	125372-3	WHEEL ASSEMBLY 1689021		2				
024	961016-9	STOP RING E-10		2	*			
024-1	259055-4	STOP RING E-10	O	2				
025	931402-8	HEX. NUT M8		2				
026	332037-2	RING 8		8				
027	922466-3	HEX.SOCKET HEAD BOLT M8X45		2				
028	922343-9	H.S.H.BOLT M6X25 WITH WR		4				
029	165660-6	FRONT GRIP COMPLETE		1				
036	135516-7	ROTOR ASSEMBLY		1				
D10		INC. 37,43,49-51,57						
037	126169-3	ROTOR SHAFT ASSEMBLY A LEFT		1	*			
D10		INC. 38-42			*			
037-1	126228-3	ROTOR ASSEMBLY LEFT	S	1				
D10		INC. 38-42,44-46,48						
038	265598-6	HEX. BOLT M8		4				
039	165682-6	ROTOR SHAFT COMPLETE A LEFT		1				
040	346521-1	TINE LEFT		2				

Model No. UK360D CORDLESS CULTIVATOR

Item	Parts No.	Description	I/C	Qty	N/O	Sales	Purch.	Note
041	346522-9	TINE RIGHT		2				
042	264067-4	HEX. NUT M8		4				
043	126196-0	ROTOR SHAFT ASSEMBLY B LEFT		1	*			
D10		INC. 44-46,48			*			
044	265598-6	HEX. BOLT M8		4				
045	165683-4	ROTOR SHAFT COMPLETE B LEFT		1				
046	346522-9	TINE RIGHT		2				
048	264067-4	HEX. NUT M8		4				
049	256532-7	PIN 8		2				
050	259052-0	SNAP PIN 7		2				
051	126167-7	ROTOR SHAFT ASSEMBLY A RIGHT		1	*			
D10		INC. 52-56			*			
051-1	126227-5	ROTOR ASSEMBLY RIGHT	S	1				
D10		INC. 52-56,58-60,62						
052	265598-6	HEX. BOLT M8		4				
053	165664-8	ROTOR SHAFT COMPLETE A RIGHT		1				
054	346522-9	TINE RIGHT		2				
055	346521-1	TINE LEFT		2				
056	264067-4	HEX. NUT M8		4				
057	126195-2	ROTOR SHAFT ASSEMBLY B RIGHT		1	*			
D10		INC. 58-60,62			*			
058	265598-6	HEX. BOLT M8		4				
059	165665-6	ROTOR SHAFT COMPLETE B RIGHT		1				
060	346521-1	TINE LEFT		2				
062	264067-4	HEX. NUT M8		4				
068	442179-5	GASKET		1				
070	961014-3	STOP RING E-8		1	*			
070-1	259054-6	STOP RING E-8	O	1				
071	227759-6	HELICAL GEAR 18		1				
072	210067-2	BALL BEARING 6000ZZ		1				
073	213148-1	OIL SEAL 10		1	*			
073-1	213769-9	OIL SEAL 10	O	1				
074	211383-5	THRUST BALL BEARING 1024		1				
075	257322-1	RING 10		1				
076	211472-6	BALL BEARING 6000		1				
077	221426-5	WORM GEAR		1				
078	211473-4	BALL BEARING 6200		1				
079	318896-8	MISSION CASE		1				
080	346519-8	CUP		2				
081	213633-4	OIL SEAL 20		2				
082	962201-7	RETAINING RING (INT) R-42		2	*			
082-1	257990-0	RETAINING RING (INT) R-42	O	2				
083	211474-2	BALL BEARING 6004		2				
084	221425-7	WORM WHEEL 35		1				
085	326105-1	DRIVE SHAFT		1	*			
085-1	326330-4	DRIVE SHAFT	<	1				
086	413156-4	GASKET		1				
087	346520-3	COVER MISSION CASE		1				

Model No. UK360D CORDLESS CULTIVATOR

Item	Parts No.	Description	I/C	Qty	N/O	Sales	Purch.	Note
088	922328-5	H.S.H.BOLT M6X18 WITH WR		8	*			
088-1	266661-8	HEX.SOCKET HEAD BOLT M6X18	O	8				
089	141619-7	BATTERY HOOD COMPLETE		1				
090	898908-8	INDICATION LABEL		1				
091	265995-6	TAPPING SCREW 4X18		4				
092	897272-4	UK360D NAME PLATE		1				
093	265484-1	HEX. SOCKET HEAD BOLT M6X17		1				
094	253111-2	FLAT WASHER 6		1				
095	187350-1	UPPER HOUSING SET		1				
D10		INC. 109						
096	651534-2	SWITCH 1934.3112B		1				
097	141628-6	LENS PLATE COMPLETE		1				
C10	213508-7	O RING 38		1				
098	421448-7	RUBBER BAND		1				
100	620154-3	CONTROLLER		1				
102	643849-1	TERMINAL		2				
104	632A04-6	LEAD UNIT		1				
105	265995-6	TAPPING SCREW 4X18		2				
106	699057-2	POWER SUPPLY CORD UNIT		1				
107	687410-4	BAND		1				
108	265995-6	TAPPING SCREW 4X18		4				
109	187350-1	UPPER HOUSING SET		1				
D10		INC. 95						
110	253111-2	FLAT WASHER 6		1				
111	265484-1	HEX. SOCKET HEAD BOLT M6X17		1				
112	643890-4	KEY		1				
113	629957-2	DC MOTOR		1				
114	227758-8	HELICAL GEAR 13		1				
115	252194-9	HEX. NUT M8		1				
116	266020-6	TAPPING SCREW 4X12		1				
117	267099-0	FLAT WASHER 4		1				
118	424507-6	RUBBER CAP		1				
119	162343-9	LATCH		1				
120	162343-9	LATCH		1				
121	141651-1	LOWER HOUSING COMPLETE		1				
C10	263005-3	RUBBER PIN 6		4				
D10		INC. 119,120						
122	897513-8	UK360D SERIAL NO. LABEL		1				
123	687053-2	STRAIN RELIEF		1				
124	265995-6	TAPPING SCREW 4X18		2				
125	453747-9	CORD COVER		1				
126	265995-6	TAPPING SCREW 4X18		2				
128	266781-8	SOCKET HEAD BOLT M6X35		3				
129	141663-4	FENDER COMPLETE		1				
D10		INC. 130,131						
130	898904-6	MAKITA LOGO LABEL		1				
131	898903-8	CAUTION LABEL		1				
132	266021-4	TAPPING SCREW 5X20		4				

Model No. UK360D CORDLESS CULTIVATOR

Item	Parts No.	Description	I/C	Qty	N/O	Sales	Purch.	Note
133	232277-1	CONED DISC SPRING 10		1				
134	213026-5	O RING 7		1				
135	941052-1	FLAT WASHER 4		2				

Please order the parts with a part number.