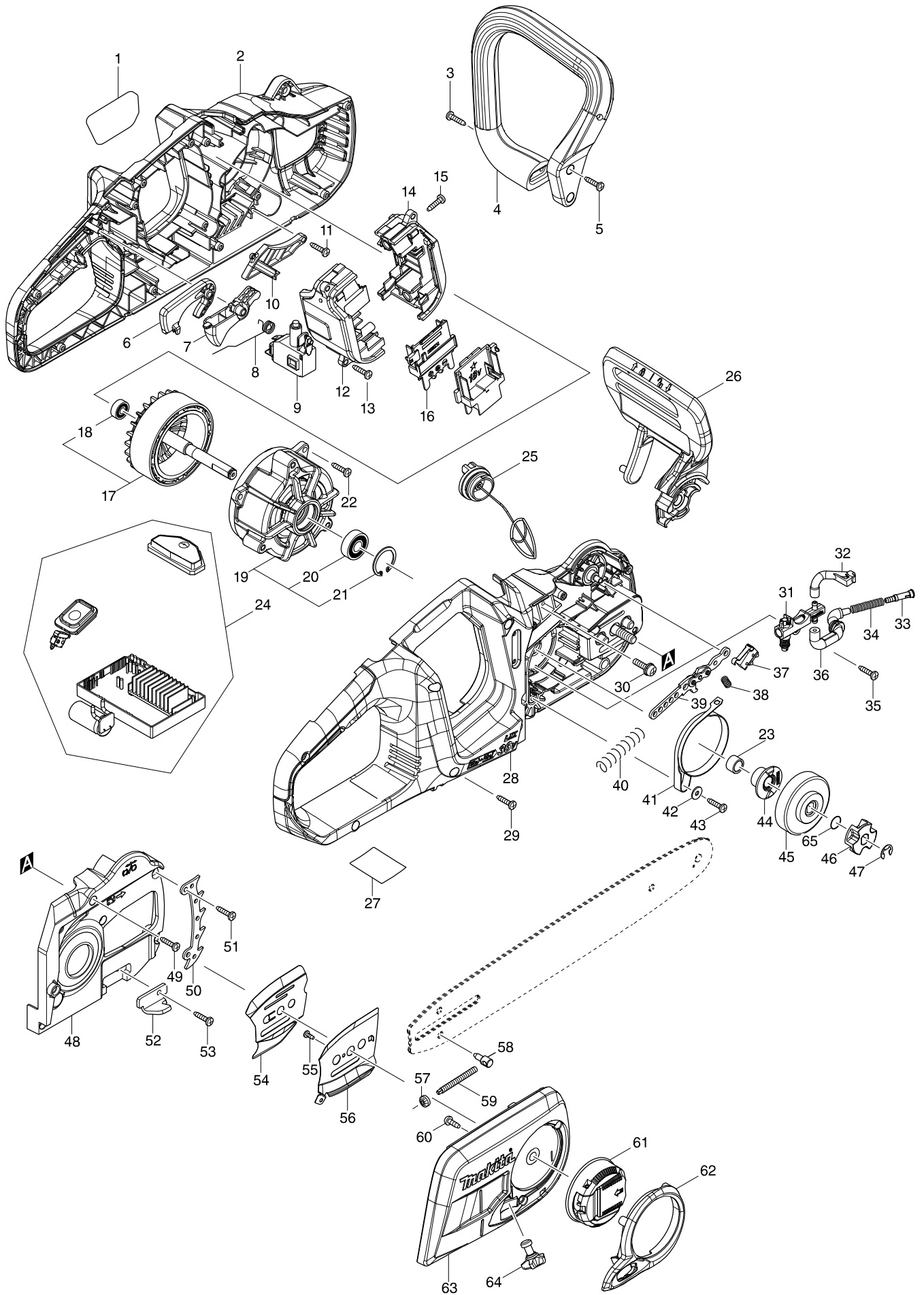


Model No. DUC353 350MM CORDLESS CHAIN SAW



Model No. DUC353 350MM CORDLESS CHAIN SAWER

Item	Parts No.	Description	I/C	Qty	N/O	Sales	Purch.	Note
001	810R17-1	DUC353 MODEL NO. LABEL		1				
002	183F61-2	HOUSING SET		1				
C10	812D15-7	CAUTION LABEL		1				
D10		INC. 28						
003	266326-2	TAPPING SCREW 4X18		2				
004	457007-1	FRONT HANDLE		1				
005	266326-2	TAPPING SCREW 4X18		2				
006	457013-6	CATCH LEVER		1				
007	457006-3	SWITCH LEVER		1				
008	232318-3	TORSION SPRING 10		1				
009	650781-2	SWITCH C3JW-6B-P		1				
010	457010-2	HOUSING L COVER		1				
011	266326-2	TAPPING SCREW 4X18		1				
012	183F15-9	TERMINAL BOX SET		1				
C10	263005-3	RUBBER PIN 6		4				
D10		INC. 14						
013	266326-2	TAPPING SCREW 4X18		4				
014	183F15-9	TERMINAL BOX SET		1				
C10	263005-3	RUBBER PIN 6		4				
D10		INC. 12						
015	266326-2	TAPPING SCREW 4X18		2				
016	643874-2	TERMINAL		2				
017	519411-3	ROTOR ASS'Y		1				
D10		INC. 18						
018	210028-2	BALL BEARING 606ZZ		1				
019	592H45-5	STATOR ASS'Y		1				
D10		INC. 20,21						
020	210059-1	BALL BEARING 6000DDW		1				
021	962105-3	RETAINING RING R-26		1				
022	266326-2	TAPPING SCREW 4X18		3				
023	257402-3	SLEEVE 10		1				
024	144254-0	CONTROLLER COMPLETE		1				
025	168399-0	TANKCAP COMPLETE		1				
026	457022-5	FRONT HAND GUARD		1				
027	852V64-0	DUC353 NAME PLATE		1				
028	183F61-2	HOUSING SET		1				
C10	812D15-7	CAUTION LABEL		1				
D10		INC. 2						
029	266326-2	TAPPING SCREW 4X18		8				
030	911233-1	PAN HEAD SCREW M5X20		3				
031	142156-4	OIL PUMP COMPLETE		1				
032	424904-6	CONNECTOR B		1				
033	452666-6	NIPPLE		1				
034	234207-8	COMPRESSION SPRING 6		1				
035	266326-2	TAPPING SCREW 4X18		1				
036	424903-8	CONNECTOR A		1				
037	632H47-0	SWITCH UNIT		1				
038	231298-0	COMPRESSION SPRING 6		1				

