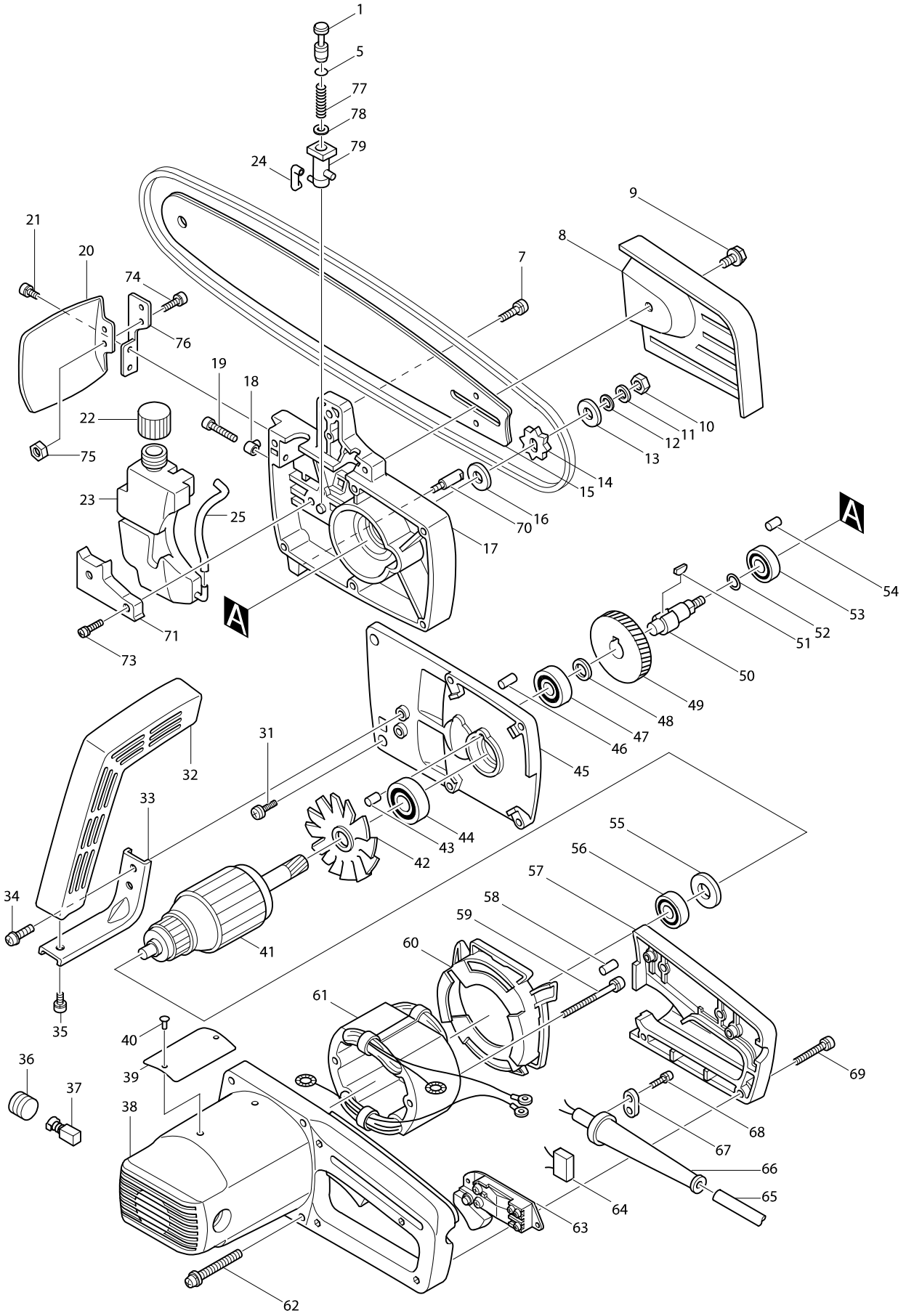


Model No. 5016B CHAIN SAW 405MM



Model No. 5016B CHAIN SAW 405MM

Item	Parts No.	Description	I/C	Qty	N/O	Sales	Purch.	Note
001	321261-2	PLUNGER		1				
005	213003-7	O RING 6		1				
007	911238-1	PAN HEAD SCREW M5X22		1				
008	345160-4	CHAIN COVER		1				
009	251697-0	HEX. FLANGE HEAD BOLT M8X17		1				
010	252043-0	HEX. NUT M8-13		1				
011	942201-3	SPRING WASHER 8		1				
012	941201-0	FLAT WASHER 8		1				
013	253813-0	FLAT WASHER 12		1				
014	221514-8	SPROCKET 6		1				
015	341650-5	GUIDE BAR		1				
016	253813-0	FLAT WASHER 12		1				
017	156916-8	GEAR HOUSING		1				
C10	412025-6	PIPE 4		1				
C20	412043-4	TUBE 3X5X18		1				
C30	256715-9	PIN 8		1				
D10		INC. 54						
018	325549-2	ADJUST PIN		1				
019	251426-1	- FLAT HEAD SCREW M5X40		1	*			
019-1	265062-7	PAN HEAD SCREW M5X40	O	1				
020	411747-5	PROTECTOR		1				
021	911211-1	PAN HEAD SCREW M5X12		2				
022-1	242054-3	CAP		1				
023-1	155812-7	OIL VESSEL COMPLETE		1				
024	412025-6	PIPE 4		1				
031	911231-5	PAN HEAD SCREW M5X20		2				
032	273603-5	GRIP		1				
033	322046-9	GRIP HOLDER		1				
034	911216-1	PAN HEAD SCREW M5X14		2				
035	911211-1	PAN HEAD SCREW M5X12		1				
036	643650-4	BRUSH HOLDER CAP 6.5-13.5		2	*			
036-1	643650-4	BRUSH HOLDER CAP 6.5-13.5	O	2				
037-2	181044-0	CARBON BRUSH CB-153		1				
038C_	156855-2	MOTOR HOUSING		1				
C10	643653-8	BRUSH HOLDER 6.5-13.5		2				
C20	913206-0	SET SCREW M5X8		2				
D10		INC. 58						
039	815555-0	NAME PLATE 5016B		1				
040	953106-2	RIVET 0-5		2				
041C_	514557-0	ARMATURE ASS'Y 220V		1	*			
D10		INC. 42,45,55,56			*			
041C1	514557-0	ARMATURE ASS'Y 220V	O	1				
D10		INC. 42,44,55,56						
042	241093-0	FAN 97		1				
043	263005-3	RUBBER PIN 6		1				
044	211106-1	BALL BEARING 6201LLB		1				
045	157114-7	GEAR HOUSING COVER		1				
D10		INC. 43,46						

Model No. 5016B CHAIN SAW 405MM

Item	Parts No.	Description	I/C	Qty	N/O	Sales	Purch.	Note
046	263002-9	RUBBER PIN 4		1				
047	211101-1	BALL BEARING 6001LLB		1				
048	253052-2	FLAT WASHER 12		1				
049	221636-4	HELICAL GEAR 53		1				
050	325550-7	SPINDLE		1				
051	254032-1	WOODRUFF KEY 5		1				
052	253147-1	FLAT WASHER 15		1				
053	211206-7	BALL BEARING 6202LLB		1				
054	263005-3	RUBBER PIN 6		1				
055-1	681623-9	INSULATION WASHER		1				
056	211068-3	BALL BEARING 6200LB		1				
057-1	414119-3	HANDLE COVER		1				
058	263002-9	RUBBER PIN 4		1				
059-1	911290-9	PAN HEAD SCREW M5X65		2				
060	411462-1	BAFFLE PLATE		1				
061C_	524508-5	FIELD ASS'Y 220V		1				
C10	654020-2	RING TERMINAL		2				
C20	654502-4	CONNECTOR P-2		2				
062	911268-2	PAN HEAD SCREW M5X45		4				
063E_	651034-2	SWITCH HPAHC-2-25S		1				
065X_	692127-6	POWER SUPPLY CORD 1.5-2-5.0		1				
066A_	682503-2	CORD GUARD 8-90		1				
067A_	687001-1	STRAIN RELIEF		1				
068-1	911133-5	PAN HEAD SCREW M4X18		2				
069	911153-9	PAN HEAD SCREW M4X28		4				
070	321396-9	CHAIN CATCHER		1				
071	315466-4	GRIP HOLDER COVER		1				
073	911121-2	PAN HEAD SCREW M4X14		2				
074	911221-8	PAN HEAD SCREW M5X16		2				
075	931202-6	HEX. NUT M5		2				
076	341772-1	PROTECTOR HOLDER		1				
077	231294-8	COMPRESSION SPRING 6		1				
078	253811-4	FLAT WASHER 5		1				
079-1	152253-8	CASING COMPLETE		1				
C10	213014-2	O RING 3		1				
C20	216008-6	STEEL BALL 4		1				
C30	231293-0	COMPRESSION SPRING 3		1				
400	791173-7	CHAIN BLADE 16		1	*			
400-1	196521-9	SAW CHAIN SET	O	1				
401-1	182229-1	OIL SUPPLY 100CC		1				
D10		INC. 402						
402	242012-9	OIL SUPPLY NOZZLE		1				
403	744003-1	FILE 4		1				
404	782212-4	SOCKET WRENCH 13		1				
405	783001-0	(-) SCREWDRIVER 6		1				