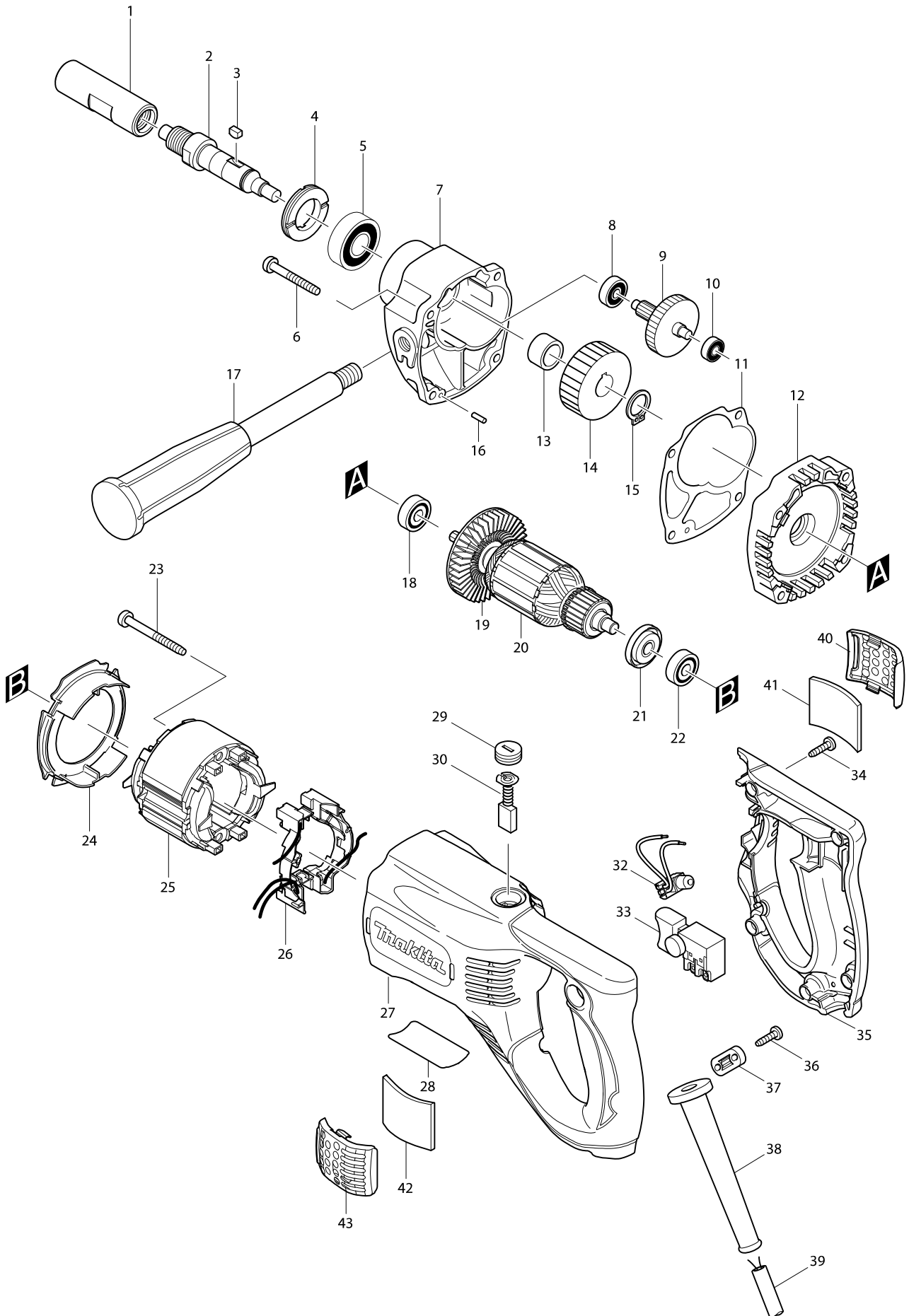


# Model No. UT2204 MIXER



# Model No. UT2204 MIXER

Item	Parts No.	Description	I/C	Qty	N/O	Sales	Purch.	Note
001	324265-3	SHAFT HOLDER		1				
002	324273-4	SPINDLE		1				
003	254011-9	WOODRUFF KEY 4		1				
004	285807-7	BEARING RETAINER 22-36		1				
005	211206-7	BALL BEARING 6202LLB		1				
006	266211-9	TAPPING SCREW 5X40		4				
007	317598-3	GEAR HOUSING		1				
008	211016-2	BALL BEARING 626LLB		1				
009	226826-4	GEAR COMPLETE 7-46		1				
010	210006-2	BALL BEARING 696ZZ		1				
011A	419529-9	GASKET		1	*			
011-1A	419529-9	GASKET	O	1				
011-1B	419529-9	GASKET		1				
011-1C	419529-9	GASKET		1				
011-1D	419529-9	GASKET		1				
011-1Y	419529-9	GASKET		1				
011-1Z	419529-9	GASKET		1				
012	153414-3	GEAR HOUSING COVER COMPLETE		1				
013	257719-4	SLEEVE 15		1				
014	226561-4	HERICAL GEAR 43		1				
015	961055-9	RETAINING RING S-15		1				
016	256180-2	PIN 3		1				
017	152892-4	GRIP COMPLETE		1				
018	211031-6	BALL BEARING 608LLB		1				
019	241850-6	FAN 60		1				
D10		INC. 18,19,21,22						
020A	513653-1	ARMATURE ASS'Y 220V		1				
020B	518659-4	ARMATURE ASS'Y 115V		1				
020C	513653-1	ARMATURE ASS'Y 220V		1				
020D	518659-4	ARMATURE ASS'Y 115V		1				
020Y	518659-4	ARMATURE ASS'Y 115V		1				
020Z	518659-4	ARMATURE ASS'Y 115V		1				
021	681644-1	INSULATION WASHER		1				
022	211031-6	BALL BEARING 608LLB		1				
023	266046-8	TAPPING SCREW 5X50		2				
024	419417-0	BAFFLE PLATE		1				
025A	634553-3	FIELD 220V		1				
025B	639041-5	FIELD 115V		1				
025C	634553-3	FIELD 220V		1				
025D	639041-5	FIELD 115V		1				
025Y	639041-5	FIELD 115V		1				
025Z	639041-5	FIELD 115V		1				
026	638439-3	SUPPORT COMPLETE		1				
027	154874-2	MOTOR HOUSING COMPLETE		1				
C10	643708-9	BRUSH HOLDER 5-11		2				
028	862264-2	UT2204 NAME PLATE		1				
029A	643750-0	BRUSH HOLDER CAP 7-11		2	*			
029B	643750-0	BRUSH HOLDER CAP 7-11		2	*			

# Model No. UT2204 MIXER

Item	Parts No.	Description	I/C	Qty	N/O	Sales	Purch.	Note
029C	643750-0	BRUSH HOLDER CAP 7-11		2	*			
029D	643750-0	BRUSH HOLDER CAP 7-11		2	*			
029-1A	643515-0	HOLDER CAP 7-11	O	2				
029-1B	643515-0	HOLDER CAP 7-11	O	2				
029-1C	643515-0	HOLDER CAP 7-11	O	2				
029-1D	643515-0	HOLDER CAP 7-11	O	2				
029-1Y	643515-0	HOLDER CAP 7-11		2				
029-1Z	643515-0	HOLDER CAP 7-11		2				
030	191963-2	CARBON BRUSH CB-303		1				
032A	631706-5	PILOT LAMP		1				
032B	631701-5	PILOT LAMP		1				
032C	631706-5	PILOT LAMP		1				
032D	631701-5	PILOT LAMP		1				
032Y	631701-5	PILOT LAMP		1				
032Z	631701-5	PILOT LAMP		1				
033	650203-2	SWITCH SGEL115CD-1		1				
034	265995-6	TAPPING SCREW 4X18		5				
035	419416-2	HANDLE COVER		1				
036	265995-6	TAPPING SCREW 4X18		2				
037A	687063-9	CORD CLAMP		1				
037B	687063-9	CORD CLAMP		1				
037C	687063-9	CORD CLAMP		1				
037D	687063-9	CORD CLAMP		1				
037Y	687052-4	STRAIN RELIEF		1				
037Z	687052-4	STRAIN RELIEF		1				
038A	682559-5	CORD GUARD 8		1				
038B	682559-5	CORD GUARD 8		1				
038C	682559-5	CORD GUARD 8		1				
038D	682559-5	CORD GUARD 8		1				
038Y	682566-8	CORD GUARD 10		1				
038Z	682566-8	CORD GUARD 10		1				
039A	692021-2	POWER SUPPLY CORD 1.0-2-2.5		1				
039B	664013-1	POWER SUPPLY CORD AWG#18-2-2.8		1				
039C	692021-2	POWER SUPPLY CORD 1.0-2-2.5		1				
039D	664013-1	POWER SUPPLY CORD AWG#18-2-2.8		1				
039Y	665918-8	POWER SUPPLY CORD 1.0-2-2.5		1				
039Z	665918-8	POWER SUPPLY CORD 1.0-2-2.5		1				
040	345691-3	COVER		1				
041	423322-5	FILTER		1				
042	423322-5	FILTER		1				
043	345691-3	COVER		1				
A01A	315113-7	MIXING BLADE		1	*			
A01B	315113-7	MIXING BLADE		1	*			
A01C	A-43723	MIXING BLADE 135		1				
A01D	A-43723	MIXING BLADE 135		1				
A01-1A	A-43717	MIXING BLADE	<	1				
D10		INC. A03						
A01-1B	A-43717	MIXING BLADE	<	1				

