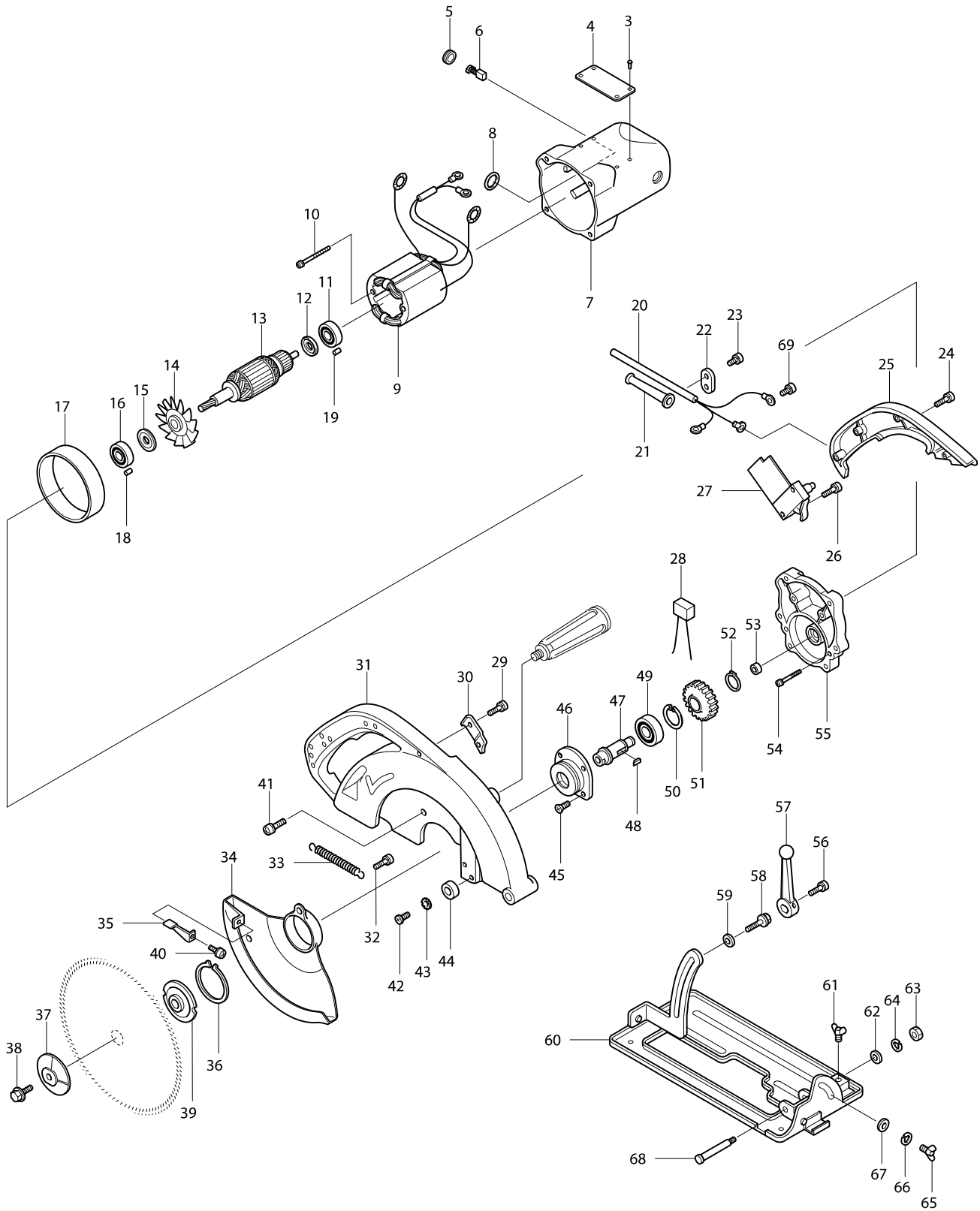


Model No. 5201N CIRCULAR SAW 260MM



Model No. 5201N CIRCULAR SAW 260MM

Item	Parts No.	Description	I/C	Qty	N/O	Sales	Purch.	Note
003-1	953106-2	RIVET 0-5		2				
004	815308-7	NAME PLATE 5201N		1				
005	643650-4	BRUSH HOLDER CAP 6.5-13.5		2				
006-1	181044-0	CARBON BRUSH CB-153		1				
007	156600-5	MOTOR HOUSING		1				
C10	643653-8	BRUSH HOLDER 6.5-13.5		2				
C20	913206-0	SET SCREW M5X8		2				
D10		INC. 19						
008	681002-1	INSULATION WASHER		2				
009A_B	524556-4	FIELD ASS'Y 115V-130V		1				
C10	654020-2	RING TERMINAL		2				
C20	654502-4	CONNECTOR P-2		2				
009C_A	524558-0	FIELD ASS'Y 220V		1				
C10	654020-2	RING TERMINAL		2				
C20	654502-4	CONNECTOR P-2		2				
010-1	911290-9	PAN HEAD SCREW M5X65		2				
011	211066-7	BALL BEARING 6200LLB		1				
012	213051-6	DUST SEAL 10		1				
013A_B	510006-5	ARMATURE ASS'Y 115V-130V		1				
D10		INC. 11,12,14,15,16						
013B_A	510007-3	ARMATURE ASS'Y 220V		1				
D10		INC. 11,12,14,15,16						
014	241064-7	FAN 106		1				
015	213202-1	DUST SEAL 15		1				
016	211206-7	BALL BEARING 6202LLB		1				
017	343119-5	BAFFLE PLATE		1				
018	263005-3	RUBBER PIN 6		1				
019	263002-9	RUBBER PIN 4		1				
020M_B	664550-5	POWER SUPPLY CORD AWG#14-3-5.0		1	*			
020M1B	664850-3	POWER SUPPLY CORD AWG#14-3-5.0	S	1				
020V_A	692273-5	POWER SUPPLY CORD 1.0-3-5.0		1				
021A_A	682503-2	CORD GUARD 8-90		1				
021B_B	682505-8	CORD GUARD 10-90		1				
022B	687600-9	STRAIN RELIEF		1	*			
022-1B	687054-0	STRAIN RELIEF	X	1	*			
022-2B	687053-2	STRAIN RELIEF	S	1				
022A_A	687001-1	STRAIN RELIEF		1	*			
022A1A	687052-4	STRAIN RELIEF	X	1				
023	911116-5	PAN HEAD SCREW M4X12		2	*			
023-1	911133-5	PAN HEAD SCREW M4X18	X	2				
024	911151-3	PAN HEAD SCREW M4X28		3				
025	315158-5	HANDLE COVER F/LOCK		1				
026	911106-8	PAN HEAD SCREW M4X8		2				
027A_	651001-7	SWITCH NPAH2-2		1	*			
027C_	651016-4	SWITCH HPAHR2-2	O	1				
029	911106-8	PAN HEAD SCREW M4X8		2				
030	341540-2	LEAD COVER		1				
031-2	315744-2	BLADE CASE		1	*			

Model No. 5201N CIRCULAR SAW 260MM

Item	Parts No.	Description	I/C	Qty	N/O	Sales	Purch.	Note
031-3	316697-8	BLADE CASE	S	1				
032-1	251445-7	- FLAT HEAD SCREW M4		1				
033-1	231767-1	TENSION SPRING 5		1				
034-1	312533-6	SAFETY COVER		1				
035	342462-9	LEVER		1	*			
035-1	344966-7	LEVER	X	1				
036	961252-7	RETAINING RING S-55		1				
037	224053-7	OUTER FLANGE 65		1				
038	251644-1	HEX. FLANGE HEAD BOLT M8X20		1	*			
038-1	265408-7	HEX. SOCKET HEAD BOLT M8X20	X	1				
039	224181-8	INNER FLANGE 65		1				
040	911211-1	PAN HEAD SCREW M5X12		1				
041	911246-2	PAN HEAD SCREW M5X28		4				
042	251256-0	+ COUNTERSUNK HEAD SCREW M8X20		1				
043	943202-4	TOOTHED LOCK WASHER 8		1				
044	262007-6	RUBBER RING 8		1				
045	912116-8	COUNTERSUNK HEAD SCREW M4X12		4				
046	312530-2	BEARING BOX		1				
047	325183-8	SPINDLE		1				
048	254203-0	KEY 4		1				
049	211306-3	BALL BEARING 6204LLB		1				
050	962203-3	RETAINING RING R-47		1				
051	221188-5	HELICAL GEAR 54		1				
052	961060-6	RETAINING RING S-20		1				
053	212101-4	NEEDLE BEARING 1210		1				
054	911251-9	PAN HEAD SCREW M5X30		4				
055	157032-9	GEAR HOUSING		1				
D10		INC. 18						
056	911207-2	PAN HEAD SCREW M5X10		1				
057	133014-5	LEVER 98 ASS'Y		1				
D10		INC. 56						
058	251612-4	HEX. BOLT M8X20		1				
059	941201-0	FLAT WASHER 8		1				
060-1	133172-7	BASE ASS'Y		1				
061	924316-8	WING BOLT M6X15		1				
062	941201-0	FLAT WASHER 8		1	*			
063	931401-0	HEX. NUT M8		1	*			
063-1	252105-4	HEX. LOCK NUT M8-13	<	1				
064	942201-3	SPRING WASHER 8		1	*			
065	924316-8	WING BOLT M6X15		1				
066	942151-2	SPRING WASHER 6		1				
067	941151-9	FLAT WASHER 6		1				
068	251407-5	- FLAT HEAD SCREW M8		1				
069	652014-1	PAN HEAD SCREW M4X8		1				
400-1	152492-0	GRIP 36 COMPLETE		1				
401	792087-3	CHISEL T. COMBI. SAW BLADE 260		1				
402	164019-4	GUIDE RULE		1				
403	781011-1	WRENCH 22		1				

Item	Parts No.	Description	I/C	Qty	N/O	Sales	Purch.	Note
404	781203-2	WRENCH 13		1	*			
404-1	783204-6	HEX. WRENCH 6	X	1				
405	410047-0	WRENCH HOLDER 5.6		1				