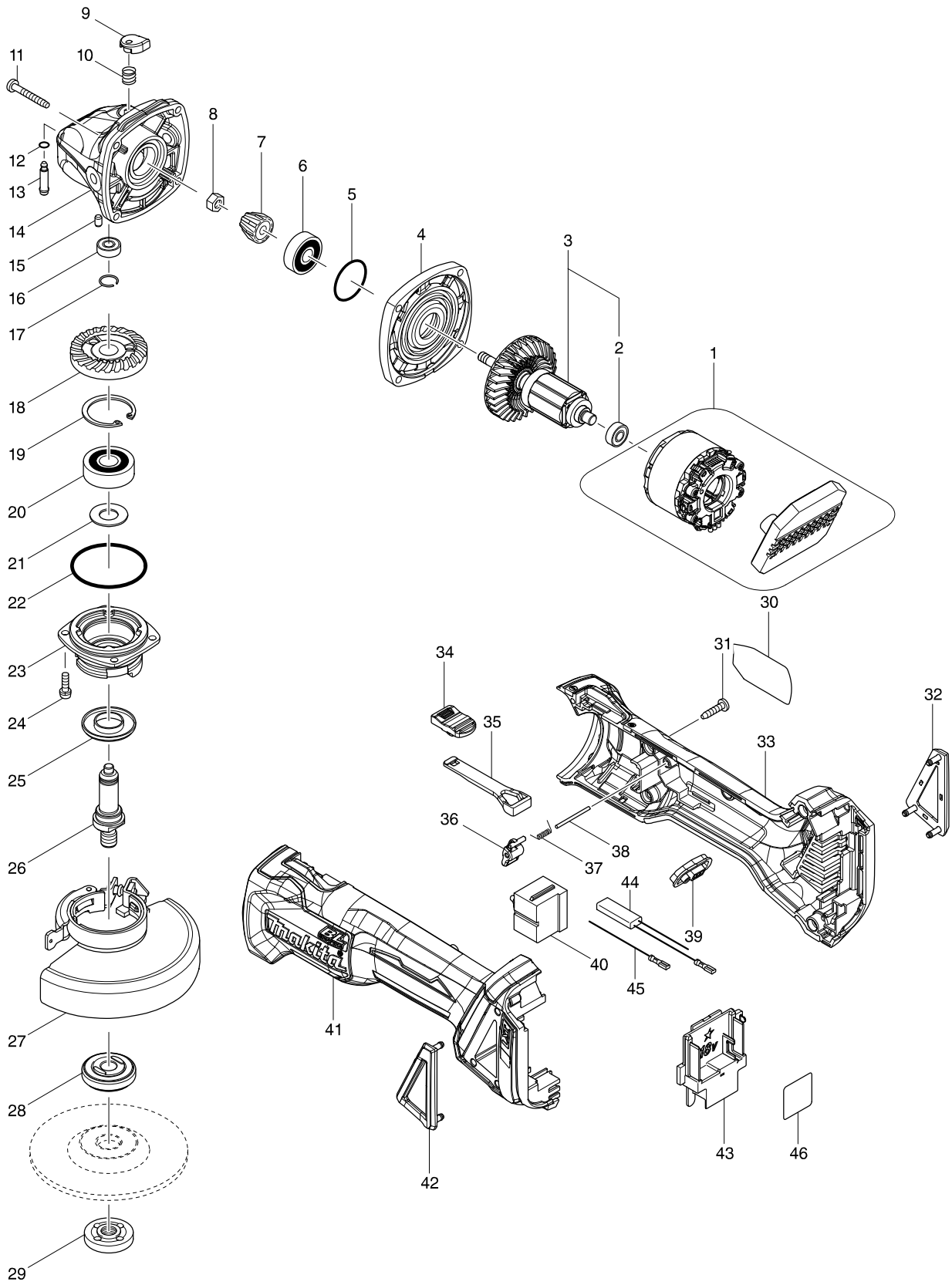


# Model No. DGA404 100MM CORDLESS ANGLE GRINDER



# Model No. DGA404 100MM CORDLESS ANGLE GRINDER

Item	Parts No.	Description	I/C	Qty	N/O	Sales	Purch.	Note
001A	629134-6	STATOR COMPLETE		1	*			
001B	629134-6	STATOR COMPLETE		1	*			
001-1A	629173-6	STATOR COMPLETE	S	1				
001-1B	629173-6	STATOR COMPLETE	S	1				
001-1C	629173-6	STATOR COMPLETE		1				
002	210034-7	BALL BEARING 607LLB		1				
003A	519354-9	ROTOR ASS'Y		1	*			
D10		INC. 2			*			
003B	519354-9	ROTOR ASS'Y		1	*			
D10		INC. 2			*			
003-1A	519378-5	ROTOR ASS'Y	O	1				
D10		INC. 2						
003-1B	519378-5	ROTOR ASS'Y	O	1				
D10		INC. 2						
003-1C	519378-5	ROTOR ASS'Y		1				
D10		INC. 2						
004	319214-3	GEAR HOUSING COVER		1				
005	213445-5	O-RING 26		1				
006	210042-8	BALL BEARING 629LLB		1				
007	227541-3	SPIRAL BEVEL GEAR 10		1				
008	252186-8	HEX. NUT M6		1				
009	417771-6	PIN CAP		1				
010	233072-2	COMPRESSION SPRING 8		1				
011	266361-0	TAPPING SCREW 4X30		4				
012	213960-9	O RING 5		1				
013	256546-6	SHOULDER PIN 4		1				
014	319213-5	GEAR HOUSING		1				
015	263002-9	RUBBER PIN 4		1				
016	210033-9	BALL BEARING 696ZZ		1				
017	233950-6	RING SPRING 11		1				
018	227641-9	SPIRAL BEVEL GEAR 37		1				
019	962151-6	RETAINING RING R-32		1				
020	211129-9	BALL BEARING 6201DDW		1				
021	267113-2	FLAT WASHER 12		1				
022	213622-9	O RING 45		1				
023	318331-6	BEARING BOX		1				
024	911121-2	PAN HEAD SCREW M4X14		4				
025	345464-4	LABYRINTH RING		1				
026	324956-6	SPINDLE		1				
027A	122893-6	TOOLLESS WHEEL COVER 100K ASS'Y		1	*			
C10	213009-5	O RING 4		1	*			
C20	265180-1	PAN HEAD SCREW M5X16		1	*			
027B	122893-6	TOOLLESS WHEEL COVER 100K ASS'Y		1	*			
C10	213009-5	O RING 4		1	*			
C20	265180-1	PAN HEAD SCREW M5X16		1	*			
027-1A	125885-4	WHEEL COVER 100AK ASS'Y	O	1				
C10	213009-5	O RING 4		1				
C20	265180-1	PAN HEAD SCREW M5X16		1				

# Model No. DGA404 100MM CORDLESS ANGLE GRINDER

Item	Parts No.	Description	I/C	Qty	N/O	Sales	Purch.	Note
027-1B	125885-4	WHEEL COVER 100AK ASS'Y	O	1				
C10	213009-5	O RING 4		1				
C20	265180-1	PAN HEAD SCREW M5X16		1				
027-1C	125885-4	WHEEL COVER 100AK ASS'Y		1				
C10	213009-5	O RING 4		1				
C20	265180-1	PAN HEAD SCREW M5X16		1				
028	224314-5	INNER FLANGE 30		1				
029	224559-5	LOCK NUT 10-30		1				
030	850J12-1	DGA404 NAME PLATE		1				
031	266326-2	TAPPING SCREW 4X18		5				
032	455450-8	DUST COVER R		1				
033	187998-9	MOTOR HOUSING SET		1				
C10	263005-3	RUBBER PIN 6		2				
D10		INC. 41						
034	455447-7	SWITCH KNOB		1				
035	455446-9	SWITCH LEVER		1				
036	455448-5	LEVER		1				
037	231679-8	TORSION SPRING 2		1				
038	268330-7	PIN 2		1				
039	142901-7	INDICATOR PANEL COMPLETE		1				
040	650579-7	SWITCH 1246.3223		1				
041	187998-9	MOTOR HOUSING SET		1				
C10	263005-3	RUBBER PIN 6		2				
D10		INC. 33						
042	455449-3	DUST COVER L		1				
043	643899-6	TERMINAL		1				
044A	632E34-1	RESISTOR UNIT		1	*			
044B	632E34-1	RESISTOR UNIT		1	*			
045A	632E33-3	LEAD UNIT		1	*			
045B	632E33-3	LEAD UNIT		1	*			
046	850J17-1	DGA404 SERIAL NO. LABEL		1				
A01	A-80852	GRINDING WHEEL 100X6X16		1				
A02	158237-4	GRIP 36 COMPLETE		1				
A03	782420-7	LOCK NUT WRENCH 20		1				
A04A	***DC18RC	DC18RC FAST CHARGER		1				
A04C	***DC18RC	DC18RC FAST CHARGER		1				
A05A	196399-0	BATTERY BL1840 SET		2	*			
A05-1A	196399-0	BATTERY BL1840 SET	O	2	*			
A05-2A	197265-4	BATTERY BL1840B SET	<	2				
A05-2C	194204-5	BATTERY BL1830 SET		2				
A06A	450128-8	BATTERY COVER		1				
A06C	450128-8	BATTERY COVER		1				
A07A	821636-0	PLASTIC CASE		1				
C10	162315-4	LATCH		2				
A07C	821636-0	PLASTIC CASE		1				
C10	162315-4	LATCH		2				