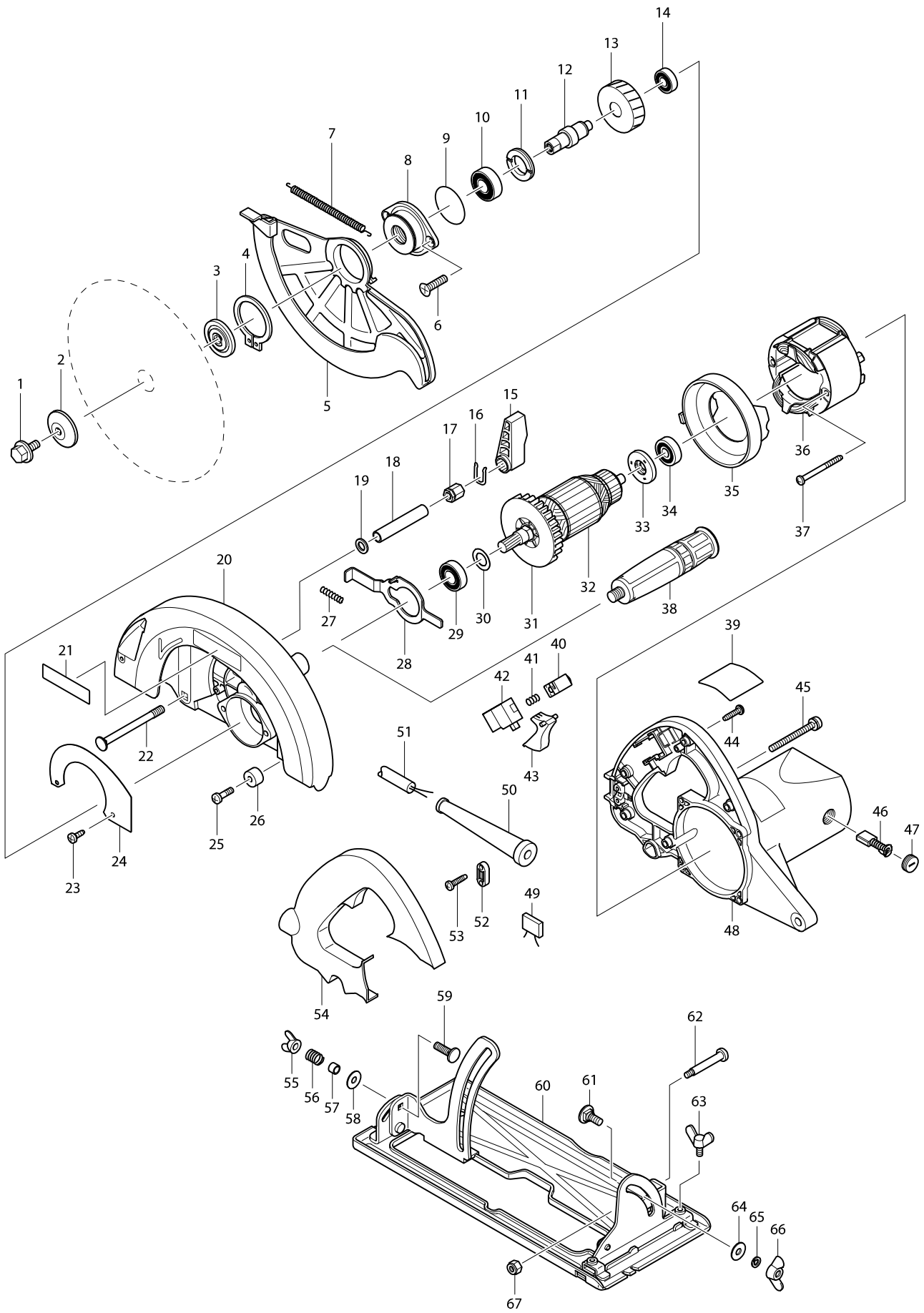


# Model No. N5900B CIRCULAR SAW 235MM



# Model No. N5900B CIRCULAR SAW 235MM

Item	Parts No.	Description	I/C	Qty	N/O	Sales	Purch.	Note
001	251644-1	HEX. FLANGE HEAD BOLT M8X20		1				
002	224301-4	OUTER FLANGE 42		1				
003	224303-0	INNER FLANGE 42		1				
004	961202-2	RETAINING RING S-45		1				
005	165374-7	SAFETY COVER		1				
006	265031-8	+ COUNTERSUNK HEAD SCREW M6X20		2				
007	231834-2	TENSION SPRING 5		1				
008	317744-8	BEARING BOX		1				
009	213560-5	O RING 44		1				
010	211228-7	BALL BEARING 6202DDW		1				
011	285809-3	BEARING RETAINER 23-36		1				
012	323955-5	SPINDLE		1				
013	226523-2	HELICAL GEAR 39		1				
014	211088-7	BALL BEARING 6000DDW		1				
015	272230-5	LEVER 54		1				
016	231955-0	RING SPRING 12		1				
017	252134-7	HEX. NUT M8		1				
018	331568-8	PIPE 9		1				
019	941201-0	FLAT WASHER 8		1				
020	183707-4	BLADE CASE SET		1	*			
C10	263005-3	RUBBER PIN 6		1	*			
D10		INC. 21			*			
020-1	151847-6	BLADE CASE COMPLETE	O	1				
C10	263005-3	RUBBER PIN 6		1				
021	819064-1	MAKITA MARK		1	*			
022	266237-1	CAP SQUARE NECK BOLT M8X90		1				
023	266026-4	TAPPING SCREW BIND CT 4X12		2				
024	344845-9	COVER PLATE		1				
025	251247-1	+ PAN HEAD SCREW M6X20		1				
026	262552-1	RUBBER SLEEVE 6		1				
027	233264-3	COMPRESSION SPRING 5		1				
028	344844-1	SHAFT LOCK		1				
029	211236-8	BALL BEARING 6002DDW		1				
030	267164-5	FLAT WASHER 15		1				
031	240003-4	FAN 80		1				
D10		INC. 29-31,33,34						
032A	518717-6	ARMATURE ASS'Y 220V		1				
032B	516816-8	ARMATURE ASS'Y 115V		1				
033	681630-2	INSULATION WASHER		1				
034	211066-7	BALL BEARING 6200LLB		1				
035	417114-2	BAFFLE PLATE		1				
C10	654020-2	RING TERMINAL		2				
C20	654502-4	CONNECTOR P-2		2				
036A	596208-7	FIELD ASS'Y 220V		1				
036B	596206-1	FIELD ASS'Y 115V		1				
037	266044-2	TAPPING SCREW 5X60		2				
038	152612-6	GRIP 36 COMPLETE		1				
039	850732-7	NAME PLATE N5900B		1				

