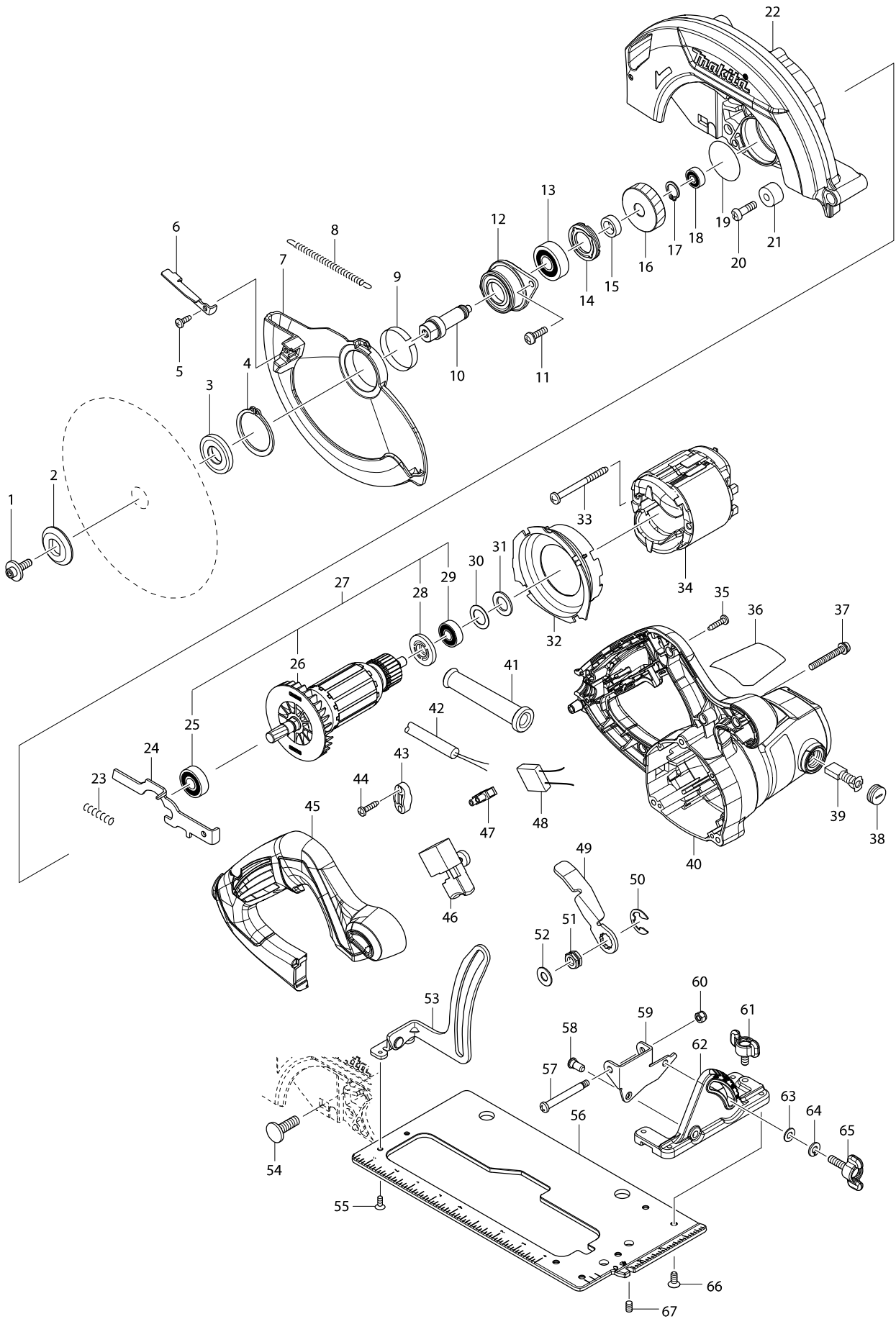


Model No. HS7600 CIRCULAR SAW 185MM



Model No. HS7600 CIRCULAR SAW 185MM

Item	Parts No.	Description	I/C	Qty	N/O	Sales	Purch.	Note
001	266024-8	HEX. SOCKET HEAD BOLT M6X20		1				
002	224409-4	OUTER FLANGE 35		1				
003	224473-5	INNER FLANGE 35		1				
004	961155-5	RETAINING RING S-38		1				
005	266398-7	TAPPING SCREW BIND CT 4X12		1				
006	345931-9	LEVER PLATE		1				
007	319188-8	SAFETY COVER		1				
008	231887-1	TENSION SPRING 4		1				
009	345391-5	THICKNESS RING		1				
010	326444-9	SPINDLE		1				
011	911226-8	PAN HEAD SCREW M5X18		2				
012	319088-2	BEARING BOX		1				
013	211129-9	BALL BEARING 6201DDW		1				
014	285852-2	BEARING RETAINER 19-33		1				
015	257173-2	RING 12		1				
016	227793-6	HELICAL GEAR 38		1				
017	961052-5	RETAINING RING S-12		1				
018	210028-2	BALL BEARING 606ZZ		1				
019	213512-6	O RING 39		1				
020	265117-8	+PAN HEAD SCREW M6X20		1				
021	262556-3	RUBBER SLEEVE 6		1				
022	142796-8	BLADE CASE COMPLETE		1				
C10	213445-5	O-RING 26		1	*			
C11	213821-3	O-RING 26	<	1				
023	233117-6	COMPRESSION SPRING 6		1				
024	345317-7	SHAFT LOCK		1				
025	210059-1	BALL BEARING 6000DDW		1				
026	240064-4	FAN 70		1				
D10		INC. 25,26,28,29						
027A	518504-3	ARMATURE ASS'Y 220V		1				
027B	518699-2	ARMATURE ASS'Y 115V		1				
028	681644-1	INSULATION WASHER		1				
029	210005-4	BALL BEARING 608DDW		1				
030	253192-6	FLAT WASHER 14		1				
031	261103-7	RUBBER WASHER 13		1				
032	455354-4	BAFFLE PLATE		1				
033	266329-6	TAPPING SCREW 5X60		2				
C10	654020-2	RING TERMINAL		2				
C20	654501-6	CONNECTOR P-1.25		2				
034A	594643-3	FIELD ASS'Y 220V		1				
034B	599051-3	FIELD ASS'Y 115V		1				
035	266326-2	TAPPING SCREW 4X18		5				
036	850H04-8	HS7600 NAME PLATE		1				
037	265104-7	PAN HEAD SCREW M5X40		3				
038	643750-0	BRUSH HOLDER CAP 7-11		2				
039	191963-2	CARBON BRUSH CB-303		1				
040	142872-8	MOTOR HOUSING COMPLETE		1				
C10	643708-9	BRUSH HOLDER 5-11		2				

Item	Parts No.	Description	I/C	Qty	N/O	Sales	Purch.	Note
041A	682503-2	CORD GUARD 8-90		1				
041B	682574-9	CORD GUARD 10-90		1				
042A	692021-2	POWER SUPPLY CORD 1.0-2-2.5		1				
042B	664265-4	POWER SUPPLY CORD AWG#16-2-2.5		1				
043	687123-7	STRAIN RELIEF		1				
044	266326-2	TAPPING SCREW 4X18		2				
045	455353-6	HANDLE COVER		1				
046	651284-9	SWITCH SGEL115CDY-6		1				
049	346311-2	LEVER PLATE		1				
050	257953-6	BOW STOP RING E-12		1				
051	252199-9	HEX. NUT M8-13		1				
052	941201-0	FLAT WASHER 8		1				
053	163546-8	DEPTH GUIDE COMPLTE		1				
054	266396-1	FLAT HEADSQUARE NECKBOLT M8X2		1				
055	912107-9	COUNTERSUNK HEAD SCREW M4X8		2				
056	346839-0	BASE		1				
057	265118-6	+ PAN HEAD SCREW M5		1				
058	256480-0	SHOULDER PIN 6-7		1				
059	345368-0	ANGULAR GUIDE		1				
060	252103-8	HEX. LOCK NUT M5-8		1				
061	265765-3	THUMB SCREW M6X21		1				
062	317031-5	ANGULAR PLATE		1				
063	941151-9	FLAT WASHER 6		1				
064	942151-2	SPRING WASHER 6		1				
065	265765-3	THUMB SCREW M6X21		1				
066	912212-2	COUNTERSUNK HEAD SCREW M5X12		5				
067	266436-5	H.S.SET SCREW(FLAT POINT)M5X8		2				
A01	783217-7	HEX. WRENCH 5		1				
A02	164095-8	GUIDE RULE		1				
A03	A-80628	T.C.T.SAW BLADE 185X40TX20		1				