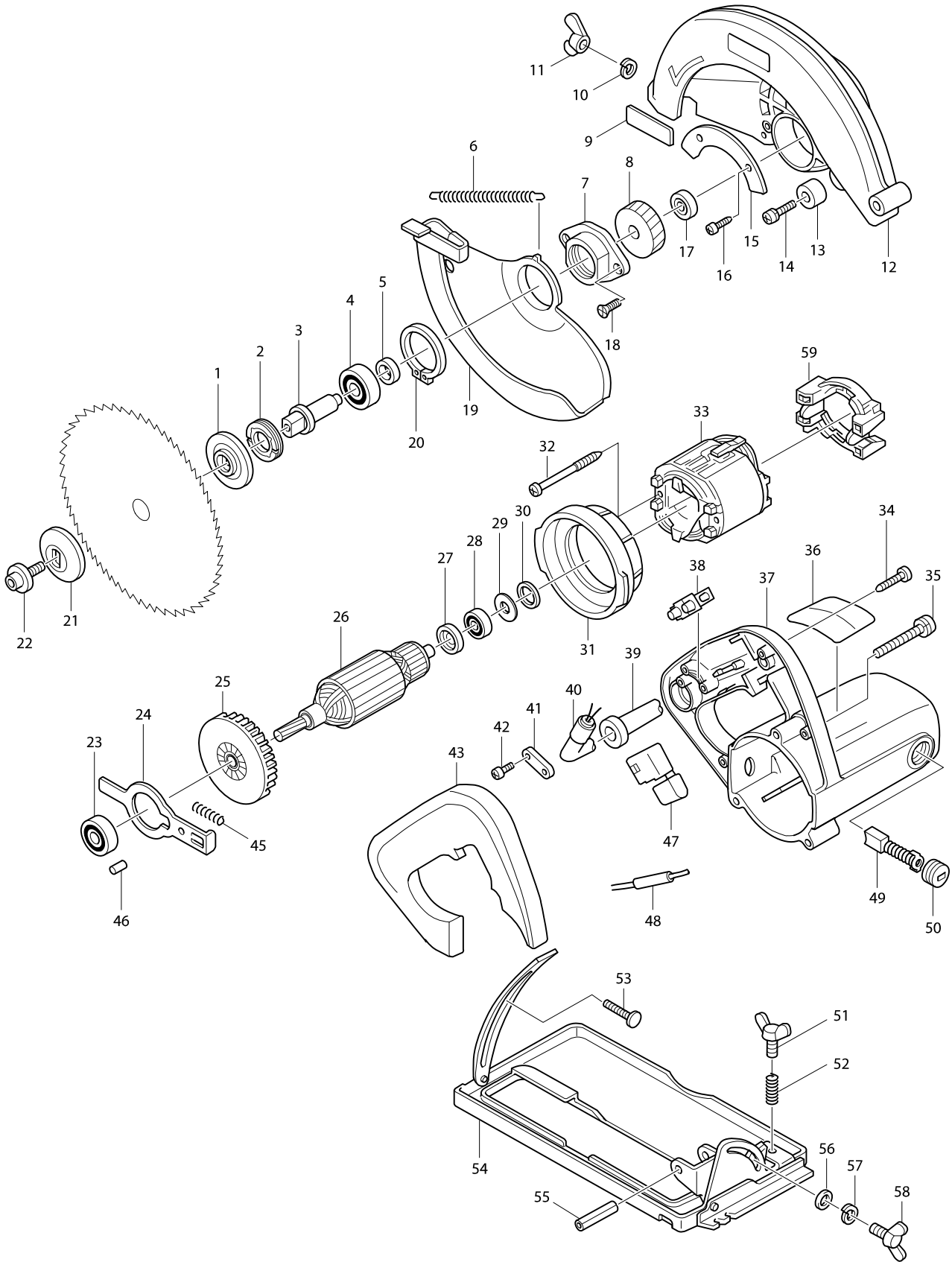


# Model No. 5806B CIRCULAR SAW 185MM



# Model No. 5806B CIRCULAR SAW 185MM

Item	Parts No.	Description	I/C	Qty	N/O	Sales	Purch.	Note
001	224180-0	INNER FLANGE 45		1				
002	285802-7	BEARING RETAINER 19-33		1				
003	322838-6	SPINDLE		1				
004	211129-9	BALL BEARING 6201DDW		1				
005	257173-2	RING 12		1				
006	231808-3	TENSION SPRING 4		1				
007	316849-1	BEARING BOX		1				
008	226461-8	HELICAL GEAR 47		1				
009A	819063-3	MAKITA LABEL		1	*			
009B	819063-3	MAKITA LABEL		1	*			
010	942151-2	SPRING WASHER 6		1				
011	934301-3	WING NUT M6		1				
012	152520-1	BLADE CASE COMPLETE		1	*			
D10		INC. 46			*			
012-1	152584-5	BLADE CASE COMPLETE	X	1	*			
D10		INC. 46			*			
012-2	153664-0	BLADE CASE COMPLETE	S	1	*			
D10		INC. 46			*			
012-3	153664-0	BLADE CASE COMPLETE	O	1				
D10		INC. 46						
013	262502-6	RUBBER SLEEVE 6		1				
014	251247-1	+ PAN HEAD SCREW M6X20		1				
015	344365-3	COVER PLATE		1				
016	266026-4	TAPPING SCREW BIND CT 4X12		2				
017	211014-6	BALL BEARING 606		1	*			
017-1	211012-0	BALL BEARING 606ZZ	O	1				
018	912222-9	COUNTERSUNK HEAD SCREW M5X16		2	*			
018-1	265034-2	+ COUNTERSUNK HEAD SCREW M5X	X	2				
019	165051-1	SAFETY COVER		1	*			
019-1	165367-4	SAFETY COVER	S	1				
020	961155-5	RETAINING RING S-38		1				
021	224329-2	OUTER FLANGE 45		1				
022	266024-8	HEX. SOCKET HEAD BOLT M6X20		1				
023	211097-6	BALL BEARING 6000LLB		1				
024	344317-4	SHAFT LOCK		1				
025	241858-0	FAN 70		1				
026B_B	516271-4	ARMATURE ASS'Y 115V		1				
D10		INC. 23,25,27,28						
026E_A	518629-3	ARMATURE ASS'Y 220V		1				
D10		INC. 23,25,27,28						
027	681613-2	INSULATION WASHER		1				
028	211033-2	BALL BEARING 608LB		1				
029	253192-6	FLAT WASHER 14		1				
030-1	261109-5	RUBBER WASHER 13		1				
031	415873-2	BAFFLE PLATE		1				
032-1	266044-2	TAPPING SCREW 5X60		2				
033A	634158-9	FIELD 220V		1	*			
033-1A	634413-9	FIELD 220V	X	1				

