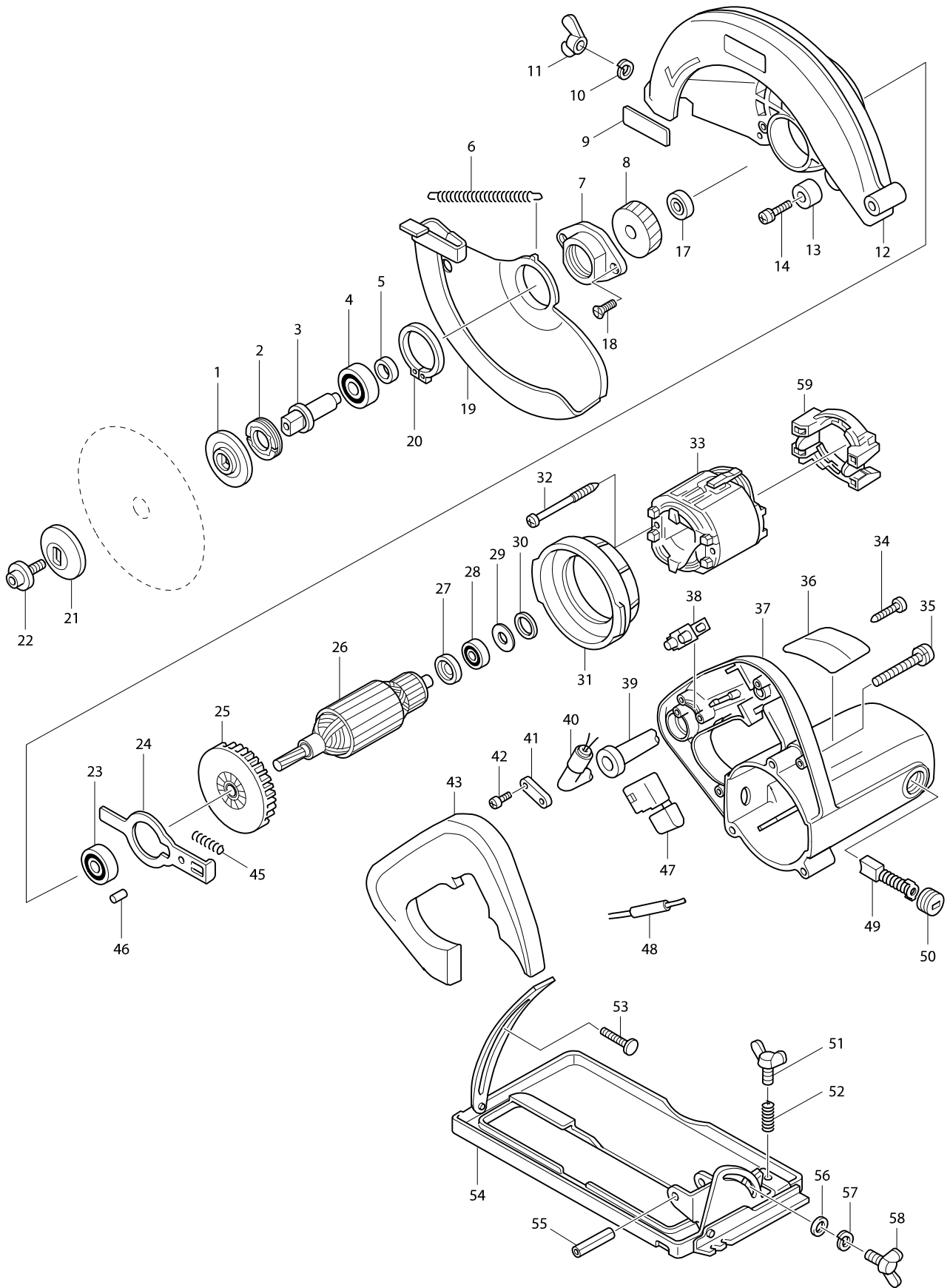


Model No. 5606B CIRCULAR SAW 160MM



Model No. 5606B CIRCULAR SAW 160MM

Item	Parts No.	Description	I/C	Qty	N/O	Sales	Purch.	Note
001	224180-0	INNER FLANGE 45		1				
002	285802-7	BEARING RETAINER 19-33		1				
003	322838-6	SPINDLE		1				
004	211129-9	BALL BEARING 6201DDW		1				
005	257173-2	RING 12		1				
006	231809-1	TENSION SPRING 4		1				
007	316849-1	BEARING BOX		1				
008	226467-6	HELICAL GEAR 47		1				
009A	819063-3	MAKITA LABEL		1	*			
010	942151-2	SPRING WASHER 6		1				
011	934301-3	WING NUT M6		1				
012A	152519-6	BLADE CASE COMPLETE		1	*			
D10		INC. 46			*			
012-1A	153665-8	BLADE CASE COMPLETE	S	1				
D10		INC. 46						
012-1B	153665-8	BLADE CASE COMPLETE		1				
D10		INC. 46						
013	262502-6	RUBBER SLEEVE 6		1				
014	251247-1	+ PAN HEAD SCREW M6X20		1				
017A	211014-6	BALL BEARING 606		1	*			
017-1A	211012-0	BALL BEARING 606ZZ	O	1				
017-1B	211012-0	BALL BEARING 606ZZ		1				
018A	912222-9	COUNTERSUNK HEAD SCREW M5X16		2	*			
018-1A	265034-2	+ COUNTERSUNK HEAD SCREW M5X	X	2				
018-1B	265034-2	+ COUNTERSUNK HEAD SCREW M5X		2				
019A	165052-9	SAFETY COVER COMPLETE		1	*			
019-1A	165368-2	SAFETY COVER	S	1				
019-1B	165368-2	SAFETY COVER		1				
020	961155-5	RETAINING RING S-38		1				
021	224329-2	OUTER FLANGE 45		1				
022	266024-8	HEX. SOCKET HEAD BOLT M6X20		1				
023	211097-6	BALL BEARING 6000LLB		1				
024	344317-4	SHAFT LOCK		1				
025	241858-0	FAN 70		1				
026B	516276-4	ARMATURE ASS'Y 115V		1				
D10		INC.23,25,27,28						
026E_A	518628-5	ARMATURE ASS'Y 220V		1				
D10		INC.23,25,27,28						
027	681613-2	INSULATION WASHER		1				
028	211033-2	BALL BEARING 608LB		1				
029	253192-6	FLAT WASHER 14		1				
030-1	261109-5	RUBBER WASHER 13		1				
031	415873-2	BAFFLE PLATE		1				
032-2	266095-5	TAPPING SCREW 5X55		2				
033A	634153-9	FIELD 220V		1				
033B	634151-3	FIELD 115V		1				
034-1	266045-0	TAPPING SCREW 4X20		4				
035	911268-2	PAN HEAD SCREW M5X45		3				

Model No. 5606B CIRCULAR SAW 160MM

Item	Parts No.	Description	I/C	Qty	N/O	Sales	Purch.	Note
036-1	851561-1	NAME PLATE 5606B		1	*			
036-2	851561-1	NAME PLATE 5606B	O	1				
037A_	159909-4	MOTOR HOUSING COMPLETE		1				
C11	643708-9	BRUSH HOLDER 5-11		2				
039	682502-4	CORD GUARD 8-85		1				
040B	664891-9	POWER SUPPLY CORD AWG#18-2-2.5		1				
040B_A	692021-2	POWER SUPPLY CORD 1.0-2-2.5		1				
041B_	687063-9	CORD CLAMP		1	*			
041B1	687123-7	STRAIN RELIEF	O	1				
042-2	265995-6	TAPPING SCREW 4X18		2				
043	415980-1	HANDLE COVER		1				
045	233092-6	COMPRESSION SPRING 5		1				
046	263002-9	RUBBER PIN 4		1				
047A_	651281-5	SWITCH SGEL115CDY-5		1				
048	683184-5	POLYETHYLENE TUBE 8-30		1				
049	191963-2	CARBON BRUSH CB-303		1				
050	643750-0	BRUSH HOLDER CAP 7-11		2				
051	924316-8	WING BOLT M6X15		1				
052	231316-4	COMPRESSION SPRING 7		1				
053	266018-3	F. HEAD SQUARE NECK BOLT M6X26		1				
054	168297-8	BASE		1				
055	951222-4	SPRING PIN 6-36		1				
056	941151-9	FLAT WASHER 6		1				
057	942151-2	SPRING WASHER 6		1				
058	924316-8	WING BOLT M6X15		1				
059A	632673-7	SUPPORT COMPLETE		1	*			
C10	632673-7	SUPPORT COMPLETE		1				
C20	654020-2	RING TERMINAL		1				
C30	654501-6	CONNECTOR P-1.25		1				
059-1A	135486-0	SUPPORT ASS'Y	<	1				
059-1B	135486-0	SUPPORT ASS'Y		1				
A01	783203-8	HEX. WRENCH 5		1				
A02	164095-8	GUIDE RULE		1				
A04	410047-0	WRENCH HOLDER 5.6		1				
A05	A-80612	T.C.T.BLADE 160X40TX20		1				