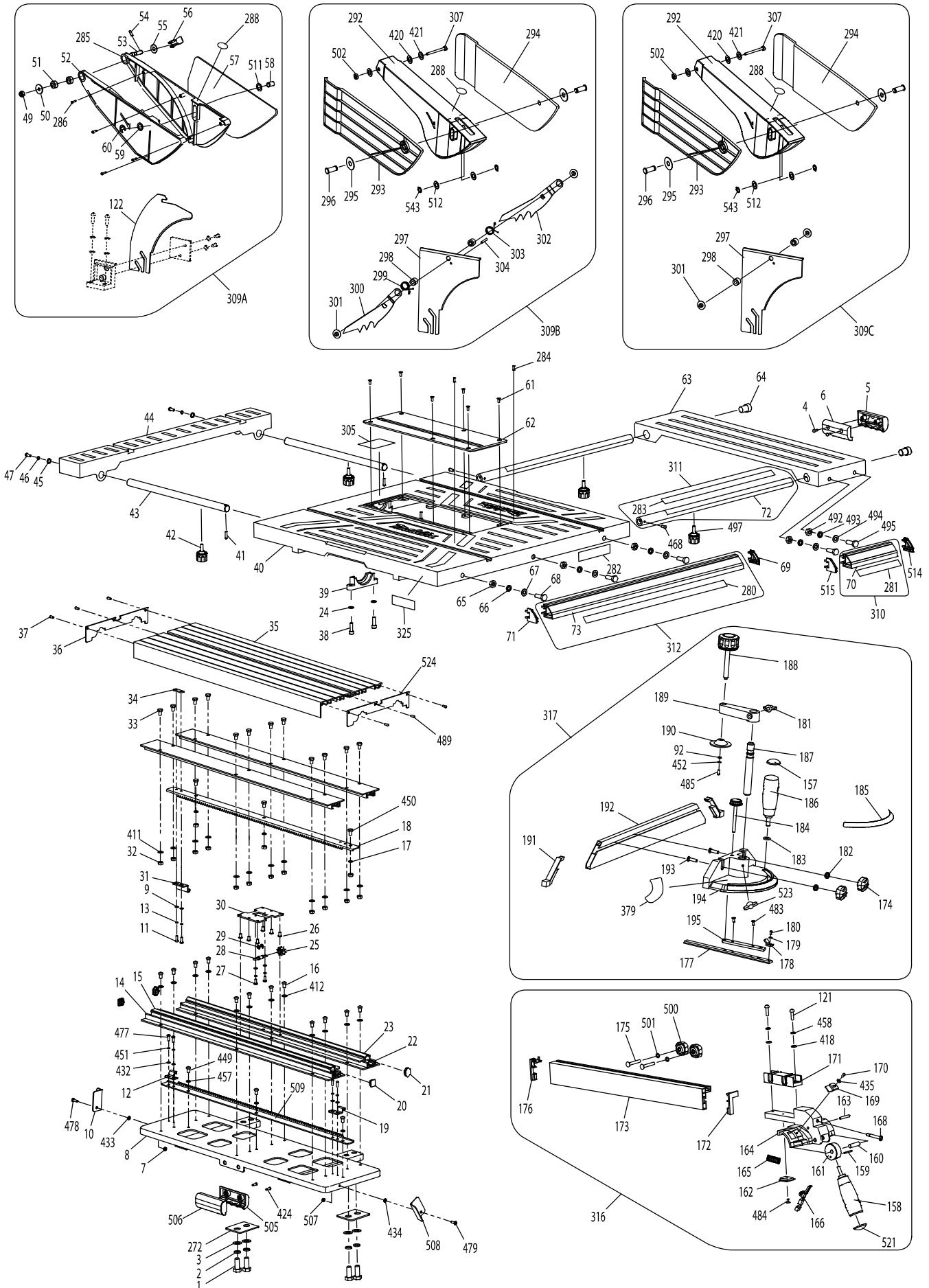
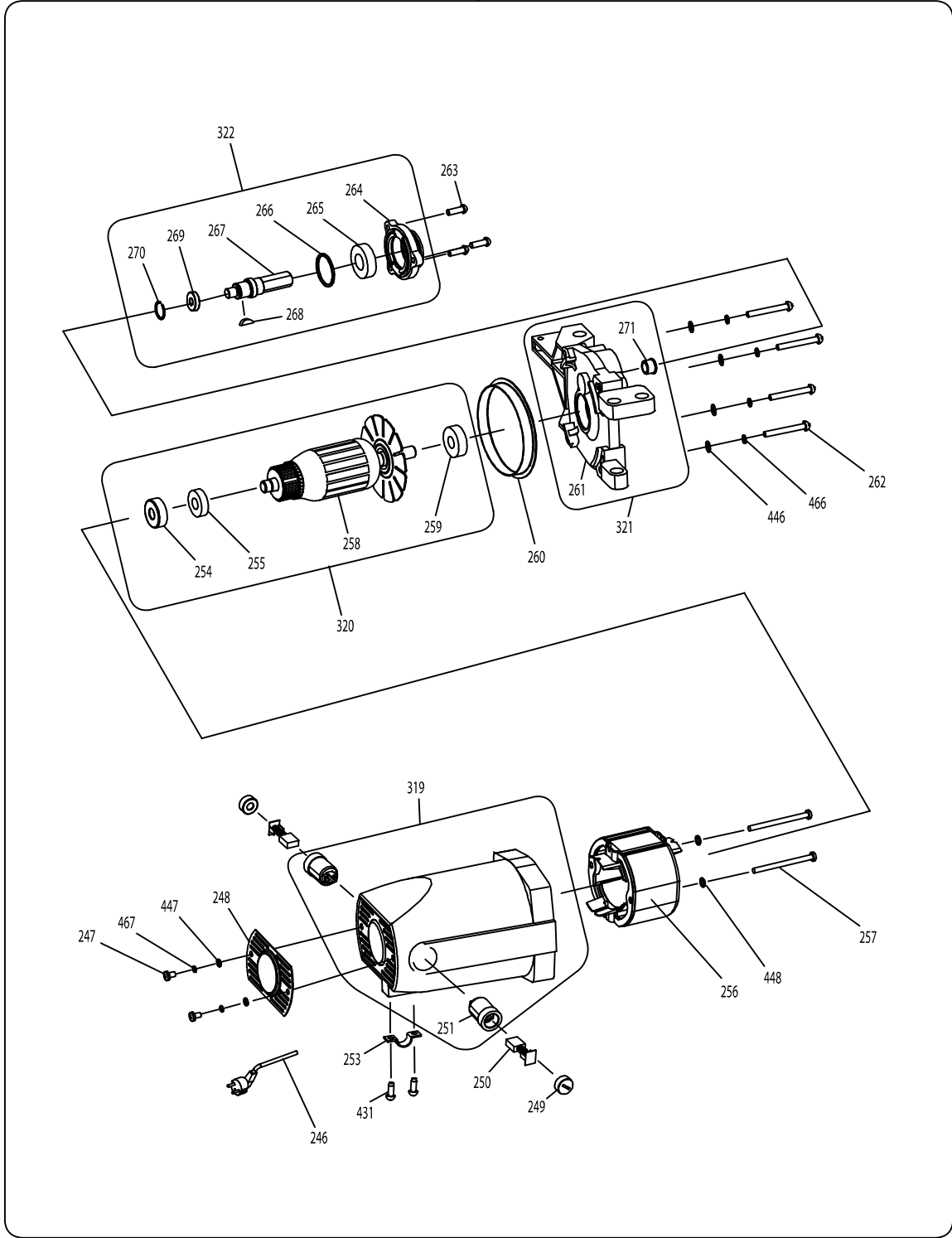


Model No. MLT100 TABLE SAW 255MM

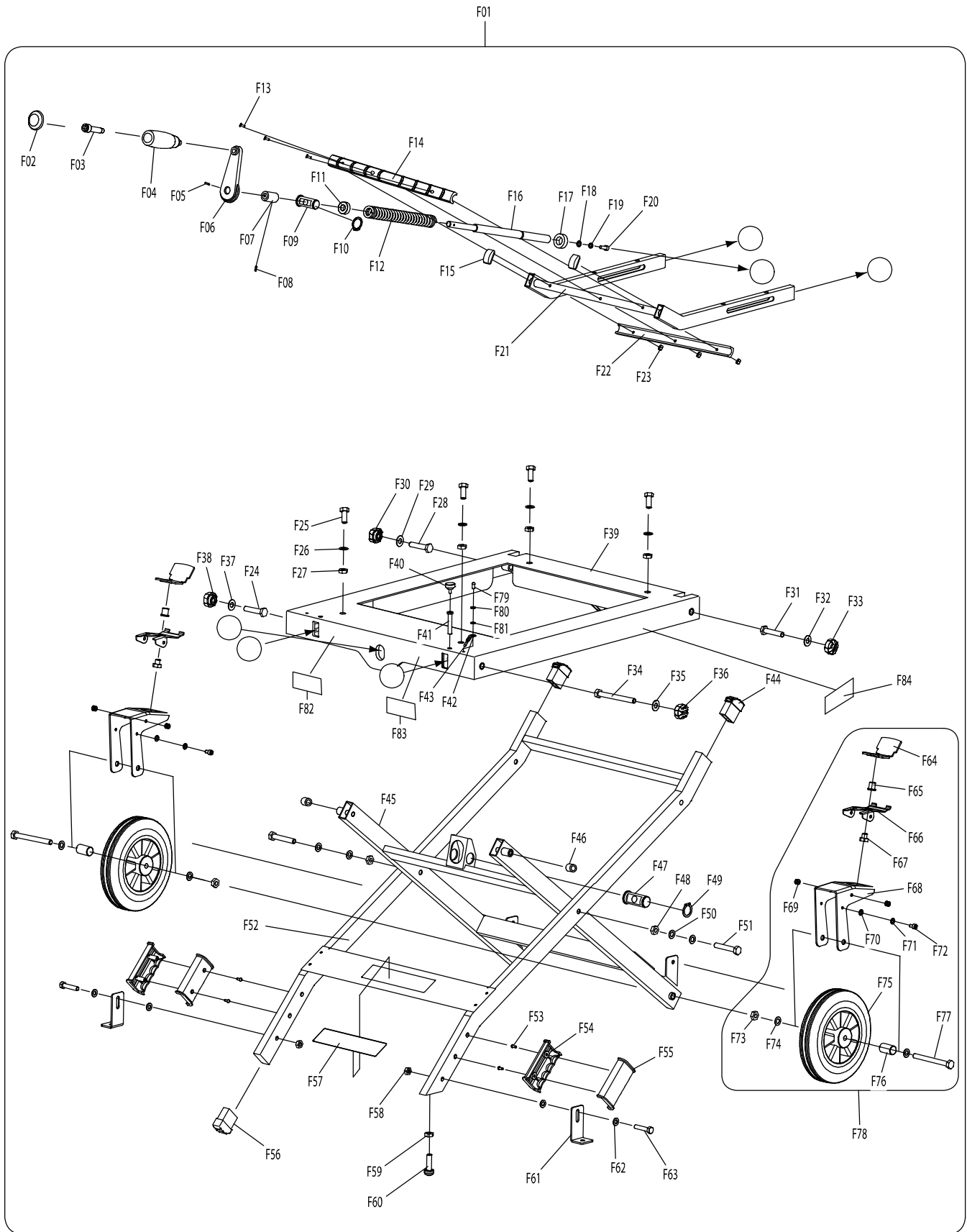


Model No. MLT100 TABLE SAW 255MM

119



Model No. MLT100 TABLE SAW 255MM



Model No. MLT100 TABLE SAW 255MM

Item	Parts No.	Description	I/C	Qty	N/O	Sales	Purch.	Note
001	JM27000001	HEX.BOLT M10X35		4				
002	JM27000002	SPRING WASHER 10		4				
003	JM27000003	FLAT WASHER 10		4				
004	JM27000004	CROSS HEAD SELF TAPPING SCREW		2				
005	JM27000005	EXTERIOR HALF HANDLE		1				
006	JM27000006	INTERIOR HALF HANDLE		1				
007	JM27000007	HEX.LOCK NUT M4		1				
008	JM27000008	BOTTOM		1				
009	JM27000009	FLAT WASHER 4		2				
010	JM27000010	LIMITED BRACKET		1				
011	JM27000011	CROSS HEAD SCREW M4X12		2				
012	JM27000012	FIX BRACKET B		1				
013	JM27000013	SPRING WASHER 4		2				
014	JM27000014	FIX FLAT RAIL		2				
015	JM27000015	SLIDING FLAT RAIL		1				
016	JM27000016	CROSS HEAD SCREW M6X10		1				
017	JM27000017	SPRING WASHER 6		3	*			
017-1	JM27000024	FLAT WASHER 6	X	3				
018	JM27000018	SLIDING TABLE RACK RAIL		1				
019	JM27000019	FIX BRACKET B		1				
020	JM27000020	SLIDING FLAT RAIL COVER		2				
021	JM27000021	SLIDING RAIL COVER		2				
022	JM27000022	FIX RAIL I		2				
023	JM27000023	SLIDING RAIL		1				
024	JM27000024	FLAT WASHER 6		2				
025	JM27000025	GEAR		1				
026	JM27000026	RIVET 5X9		6				
027	JM27000027	CROSS HEAD SCREW M4X10		2				
028	JM27000028	SHAFT		1				
029	JM27000029	RETAINING RING 6		1				
030	JM27000030	SLIDING LIMITED PLATE		1				
031	JM27000031	GEAR LIMITED C		1				
032	JM27000032	HEX. NUT M6		12				
033	JM27000033	HEX BOLT M6X10		12				
034	JM27000034	CONNECTION NUT		1				
035	JM27000035	SLIDING TABLE		1				
036A_	JM27000036	SLIDING TABLE COVER		1				
037	JM27000037	SELF TAPPING SCREW ST3.9X8		3				
038	JM27000038	CROSS HEAD SCREW M6X16		2				
039	JM27000039	FIX BRACKET A		1				
040A_	JM27000040	MAIN TABLE A		1	*			
040A1	JM27000430	MAIN TABLE A	<	1				
041	JM27000042	CROSS HEAD SCREW M5X10		2				
042	JM27000043	LOCK KNOB		2				
043	JM27000044	SLIDING BAR B		2				
044A_	JM27000045	REAR EXTENSION TABLE		1	*			
044A1	JM27000046	REAR EXTENSION TABLE ASSEMBLY	O	1				
045	JM27000047	BIG FLAT WASHER 5		2				

Model No. MLT100 TABLE SAW 255MM

Item	Parts No.	Description	I/C	Qty	N/O	Sales	Purch.	Note
046	JM27000048	SPRING WASHER 5		2				
047	JM27000049	CROSS HEAD SCREW M5X14		2				
049	JM27000051	LOCK NUT M6		1				
050	JM27000055	WASHER		1				
051	JM27000056	FIX PLATE		2				
052	JM27000057	LEFT GUARD		1				
053	JM27000058	CONNECTION BOLT		1				
054	JM27000059	PIN 4X8		1				
055	JM27000060	WASHER		1				
056	JM27000061	WRENCH		1				
057	JM27000062	SIDE PROTECTION PLATE		1				
058	JM27000063	PIN		1				
059	JM27000064	WASHER A		1				
060	JM27000065	RING 10		1				
061	JM27000066	CROSS HEAD SUNK SCREW M4X8		6				
062A_	JM27000067	TABLE INSERT		1				
063A_	JM27000068	RIGHT EXTENSION TABLE		1				
064	JM27000069	H.S.BOLT M14X20		2				
065	JM27000070	HEX NUT M8		3				
066	JM27000071	SPRING WASHER 8		3				
067	JM27000072	FLAT WASHER 8		3				
068	JM27000073	SQUARE NECK BOLT M8X25		3				
069	JM27000074	COVER A		1				
070	JM27000075	SUB FRONT RAIL		1				
071	JM27000078	COVER B		1				
072	JM27000079	SLIDING BAR A		2	*			
072-1	JM27000425	SLIDING BAR A	X	2				
073	JM27000082	FRONT RAIL		1				
074	JM27000085	LOCK KNOB A		1				
077A_	JM27000088	FIX PLATE		1				
078	JM27000089	PROTECTION PLATE		1				
079	JM27000090	DUST PORT		1				
080	JM27000091	HEX.BOLT M5X65		1				
081	JM27000092	HEX.BOLT M5X55		1				
082	JM27000093	CORD BRACKET		2				
083	JM27000094	CORD PROTECTION TUBE		1				
084A_	JM27000095	HOOK		2				
085	JM27000096	CROSS HEAD SCREW M5X25		6				
087	JM27000102	CLAMP PLATE		1				
088	JM27000103	CROSS HEAD SELF TAPPING SCREW		2				
089	JM27000104	HEX.BOLT M10X45		1				
090A_	JM27000105	CABINET		1				
091	JM27000108	BOTTOM		1				
092	JM27000109	BIG FLAT WASHER 4		1				
093	JM27000110	FRONT PANEL LABEL		1				
094	JM27000111	HEX BOLT M6X16		2				
095	JM27000112	BRACKET B		1				
096A_	JM27000113	LOGO LABEL		1				

Model No. MLT100 TABLE SAW 255MM

Item	Parts No.	Description	I/C	Qty	N/O	Sales	Purch.	Note
097	JM27000114	CROSS HEAD SELF TAPPING SCREW		2				
098	JM27000115	SOFT START DEVICE COVER		1				
100	JM27000117	CROSS HEAD SELF TAPPING SCREW		2				
101	JM27000118	STRAIN & RELIEF		2				
102	JM27000119	SWITCH COVER		1				
103	JM27000120	SWITCH BOX		1				
104A_	JM27000121	OVERLOAD SWITCH		1				
105	JM27000122	OVERLOAD SWITCH LABEL		1				
106	JM27000123	OVERLOAD SWITCH NUT		1				
107A_	JM27000124	MAGNETIC SWITCH A (HV)		1	*			
107A1	JM27000443	MAGNETIC SWITCH A (HV)	<	1				
108	JM27000136	CROSS HEAD SCREW M4X14		2				
109	JM27000137	HEX.NUT M6X12		1				
110	JM27000138	LOCK HANDLE		1				
111	JM27000139	LOCK BOLT		1				
112	JM27000140	TORSION SPRING		1				
113	JM27000141	BUSH		1				
114	JM27000142	RACK BRACKET		1				
115	JM27000143	SUPPORT PLATE		1				
116	JM27000144	CROSS HEAD SUNK SCREW M5X8		4				
117A_	JM27000145	TUBE		1				
119A_	JM27000147	MOTOR(230V)		1	*			
D10		INC. 246-250,253,256,257,260,			*			
D20		INC. 262,263,319-322,431,			*			
D30		INC. 446-448,466,467			*			
120	JM27000148	BRACKET		1				
121	JM27000149	H.S.BOLT M6X20		2				
122	JM27000150	RIVING KNIF		1				
123	JM27000151	FIX PLATE		1				
124	JM27000152	SLIDING PLATE		1				
125	JM27000153	FRAME		1				
126	JM27000154	COVER		1				
127	JM27000155	FLAT WASHER 5		2				
128	JM27000156	CROSS HEAD SCREW M5X20		2				
129	JM27000157	BAR		2				
130	JM27000158	ROD		1				
131	JM27000159	KEY 4X8		1				
132	JM27000160	ADJUSTING BRACKET		1				
133	JM27000161	H.S.BOLT M5X20		2				
134	JM27000162	BEVEL GEAR		1				
135	JM27000163	RETAINING RING 10		1				
136	JM27000164	POINTER		1				
137	JM27000165	ROD		1				
138	JM27000166	WHEEL		1				
139	JM27000167	CROSS HEAD SCREW M5X12		1				
140	JM27000168	KNOB		1				
141	JM27000169	SCREW		1				
142	JM27000170	PROTECTION PLATE		1				

Model No. MLT100 TABLE SAW 255MM

Item	Parts No.	Description	I/C	Qty	N/O	Sales	Purch.	Note
143	JM27000171	INNER FLANGE		1				
144	JM27000172	H.S.BOLT WITH GLUE M6X12		1				
145	JM27000173	PLATE		2				
146	JM27000174	CROSS HEAD SCREW M3X25		2				
147	JM27000175	BIG WASHER 3		2				
148	JM27000176	HEX LOCK NUT M3		2				
149	JM27000177	SELF TAPPING SCREW ST3.9X10		1				
150	JM27000178	PROTECTION PLATE		1				
151	JM27000179	OUTER FLANGE		1				
152	JM27000180	NUT M16		1				
153	JM27000181	PROTECTION PLATE		1				
154	JM27000182	PLATE		1				
155	JM27000183	NUT M5		1				
156	JM27000184	SUPPORT BRACKET		1				
157	JM27000185	COVER		1				
158	JM27000186	HANDLE		1				
159	JM27000187	PIN 3X30		1				
160	JM27000188	PIN		1				
161	JM27000189	ECCENTRIC WHEEL		1				
162	JM27000190	FRICTION PAD		1				
163	JM27000191	PIN		1				
164A_	JM27000192	BRACKET		1				
165	JM27000193	PRESSION SPRING		1				
166	JM27000194	PAW		1				
168	JM27000196	SCREW		1				
169	JM27000197	POINTER		1				
170	JM27000198	CROSS HEAD SCREW M4X8		1				
171	JM27000199	BRACKET		1				
172	JM27000200	INSERT		1				
173	JM27000201	RIP FENCE		1				
174	JM27000203	LOCK NUT		2				
175	JM27000204	SQUARE NECK BOLT M6X60		2				
176	JM27000205	INSERT		1				
177	JM27000206	SLIDING BAR		1				
178	JM27000207	POINTER		1				
179	JM27000208	FLAT WASHER 3		1				
180	JM27000209	CROSS HEAD SCREW M3X8		1				
181	JM27000210	WING NUT		1				
182	JM27000211	BIG WASHER 6		2				
183	JM27000212	WASHER		1				
184	JM27000213	LOCK KNOB		1				
185	JM27000214	SCALE LABEL		1				
186	JM27000215	HANDLE		1				
187	JM27000216	PIN		1				
188	JM27000217	THREAD ROD		1				
189	JM27000218	LINK		1				
190	JM27000219	PLATE		1				
191	JM27000220	INSERT		2				

Model No. MLT100 TABLE SAW 255MM

Item	Parts No.	Description	I/C	Qty	N/O	Sales	Purch.	Note
192	JM27000221	FENCE		1				
193	JM27000222	SQUARE NECK BOLT M6X30		2				
194A_	JM27000223	MITER GUAGE		1				
195	JM27000225	PAD		1				
246	JM23000152	POWER SUPPLY CORD		1				
247	JM27000292	CROSS HEAD SCREW M5X8		2				
248	JM27000293	COVER		1				
249	JM27000294	BRUSH COVER		2				
250	JM23000123	CARBON BRUSH		1				
251	JM27000296	BRUSH HOLDER		2				
253	JM27000299	CLAMP PLATE		1				
254	JM27000361	ABSORB RING		1				
255	JM27000301	BEARING 6001-2Z		1	*			
255-1	JM27000445	BEARING 6001DDW	<	1				
256A_	JM27000302	STATOR(230V)		1				
257	JM27000305	CROSS HEAD SELF TAPPING SCREW		2				
258A_	JM27000306	ROTOR(230V)		1				
259	JM27000312	BEARING 6201-2Z		1	*			
259-1	JM27000446	BEARING 6201DDW	<	1				
260	JM27000313	RING		1				
261	JM27000314	GEAR BOX		1	*			
261-1	JM27000423	GEAR BOX	<	1				
262	JM27000316	CROSS HEAD SCREW M5X35		4				
263	JM27000317	CROSS HEAD SUNK SCREW M5X16		3				
264	JM27000318	GEAR COVER		1				
265	JM27000319	BEARING 6003-2Z		1				
266	JM27000320	RETAINING RING 35		1				
267	JM27000321	OUTER SHAFT		1				
268	JM27000323	KEY 5X6.5X16		1				
269	JM27000324	GEAR		1				
270	JM27000325	RETAINING RING 16		1				
271	JM27000326	BUSH		1				
272	JM27000327	SLIDING TABLE PAD		2				
275	JM27000330	HOOK		1				
277	JM27000332	CLAMP		2				
278	JM27080019	NAME PLATE		1				
280A_	JM27000333	SCALE LABEL		1				
281A_	JM27000335	SCALE LABEL		1				
283A_	JM27000337	SCALE LABEL		2	*			
283A1	JM27000428	SCALE LABEL	X	2				
284	JM27000339	H.S.BOLT WITH GLUE M6X20		2				
285	JM27000340	BLADE GUARD		1				
286	JM27000341	CROSS HEAD SELF TAPPING SCREW		4				
287	JM27080020	WARNING LABEL		1				
288	JM27080060	WARNING LABEL		1				
309A_	JM27000052	UP BLADE GUARD ASSEMBLY (EU TY		1				
D10		INC. 49-60,122,285,286,288						
310A_	JM27000076	SUB FRONT RAIL ASSEMBLY (MMSCA		1				

Model No. MLT100 TABLE SAW 255MM

Item	Parts No.	Description	I/C	Qty	N/O	Sales	Purch.	Note
D10		INC. 70,281						
311A_	JM27000080	SLIDING BAR A ASSEMBLY (MMSCAL		1	*			
D10		INC. 72,283			*			
311A1	JM27000426	SLIDING BAR A ASSEMBLY (MMSCAL	X	1				
D10		INC. 72,283						
312A_	JM27000083	FRONT RAIL ASSEMBLY (MMSCALE)		1				
D10		INC. 73,280						
313B_	JM27000101	BLADE INNER LING 25.4		1				
314A_	JM27000106	CABINET ASSEMBLY(A)		1				
315D_	JM27000130	SWITCH ASSY 4 SWA SOX CAX		1				
D10		INC. 97,98,100-108,430,498						
316A_	JM27000202	RIP FENCE ASSEMBLY		1				
D10		INC. 121,158-166,168-173,175						
D20		INC. 176,418,435,458,484,500						
D30		INC. 501,521						
317A_	JM27000224	MITER GUAGE ASSEMBLY		1				
D10		INC. 92,157,174,177-195,452,						
D20		INC. 483,485,523						
319	JM27000298	MOTOR HOUSE ASSEMBLY		1				
D10		INC. 251						
320A_	JM27000309	ROTOR(230V)ASSEMBLY		1				
D10		INC. 254,255,258,259						
321	JM27000315	GEAR BOX ASSEMBLY		1	*			
D10		INC. 261,271			*			
321-1	JM27000424	GEAR BOX ASSEMBLY	<	1				
D10		INC. 261,271						
322	JM27000322	OUTER SHAFT ASSEMBLY		1				
D10		INC. 264-270						
411	JM27000024	FLAT WASHER 6		12				
412	JM27000024	FLAT WASHER 6		12				
413	JM27000024	FLAT WASHER 6		2				
414	JM27000024	FLAT WASHER 6		2				
415	JM27000024	FLAT WASHER 6		2				
416	JM27000024	FLAT WASHER 6		2				
417	JM27000024	FLAT WASHER 6		2				
418	JM27000024	FLAT WASHER 6		2				
424	JM27000004	CROSS HEAD SELF TAPPING SCREW		2				
426	JM27000004	CROSS HEAD SELF TAPPING SCREW		2				
427	JM27000004	CROSS HEAD SELF TAPPING SCREW		2				
428	JM27000004	CROSS HEAD SELF TAPPING SCREW		6				
429	JM27000004	CROSS HEAD SELF TAPPING SCREW		2				
430	JM27000004	CROSS HEAD SELF TAPPING SCREW		2				
431	JM27000004	CROSS HEAD SELF TAPPING SCREW		2				
432	JM27000009	FLAT WASHER 4		4				
433	JM27000009	FLAT WASHER 4		1				
434	JM27000009	FLAT WASHER 4		1				
435	JM27000009	FLAT WASHER 4		1				
437	JM27000009	FLAT WASHER 4		2				

Model No. MLT100 TABLE SAW 255MM

Item	Parts No.	Description	I/C	Qty	N/O	Sales	Purch.	Note
438	JM27000009	FLAT WASHER 4		2				
439	JM27000009	FLAT WASHER 4		2				
440	JM27000009	FLAT WASHER 4		1				
441	JM27000155	FLAT WASHER 5		2				
442	JM27000155	FLAT WASHER 5		2				
443	JM27000155	FLAT WASHER 5		1				
444	JM27000155	FLAT WASHER 5		1				
445	JM27000155	FLAT WASHER 5		2				
446	JM27000155	FLAT WASHER 5		4				
447	JM27000155	FLAT WASHER 5		2				
448	JM27000155	FLAT WASHER 5		2				
449	JM27000016	CROSS HEAD SCREW M6X10		3				
450	JM27000033	HEX BOLT M6X10		3				
451	JM27000013	SPRING WASHER 4		4				
452	JM27000013	SPRING WASHER 4		1				
453	JM27000013	SPRING WASHER 4		2				
454	JM27000013	SPRING WASHER 4		2				
455	JM27000013	SPRING WASHER 4		1				
457	JM27000017	SPRING WASHER 6		3				
458	JM27000017	SPRING WASHER 6		2				
459	JM27000017	SPRING WASHER 6		2				
460	JM27000017	SPRING WASHER 6		2				
461	JM27000017	SPRING WASHER 6		2				
462	JM27000032	HEX. NUT M6		1				
463	JM27000048	SPRING WASHER 5		2				
464	JM27000048	SPRING WASHER 5		2				
465	JM27000048	SPRING WASHER 5		1				
466	JM27000048	SPRING WASHER 5		4				
467	JM27000048	SPRING WASHER 5		2				
468	JM27000042	CROSS HEAD SCREW M5X10		2				
469	JM27000042	CROSS HEAD SCREW M5X10		2				
470	JM27000042	CROSS HEAD SCREW M5X10		2				
471	JM27000042	CROSS HEAD SCREW M5X10		2				
472	JM27000042	CROSS HEAD SCREW M5X10		1				
473	JM27000109	BIG FLAT WASHER 4		2				
474	JM27000109	BIG FLAT WASHER 4		6				
475	JM27000109	BIG FLAT WASHER 4		2				
476	JM27000109	BIG FLAT WASHER 4		1				
477	JM27000011	CROSS HEAD SCREW M4X12		4				
478	JM27000011	CROSS HEAD SCREW M4X12		1				
479	JM27000011	CROSS HEAD SCREW M4X12		1				
480	JM27000011	CROSS HEAD SCREW M4X12		2				
481	JM27000047	BIG FLAT WASHER 5		6				
482	JM27000047	BIG FLAT WASHER 5		2				
483	JM27000066	CROSS HEAD SUNK SCREW M4X8		2				
484	JM27000066	CROSS HEAD SUNK SCREW M4X8		1				
485	JM27000027	CROSS HEAD SCREW M4X10		1				
486	JM27000027	CROSS HEAD SCREW M4X10		2				

