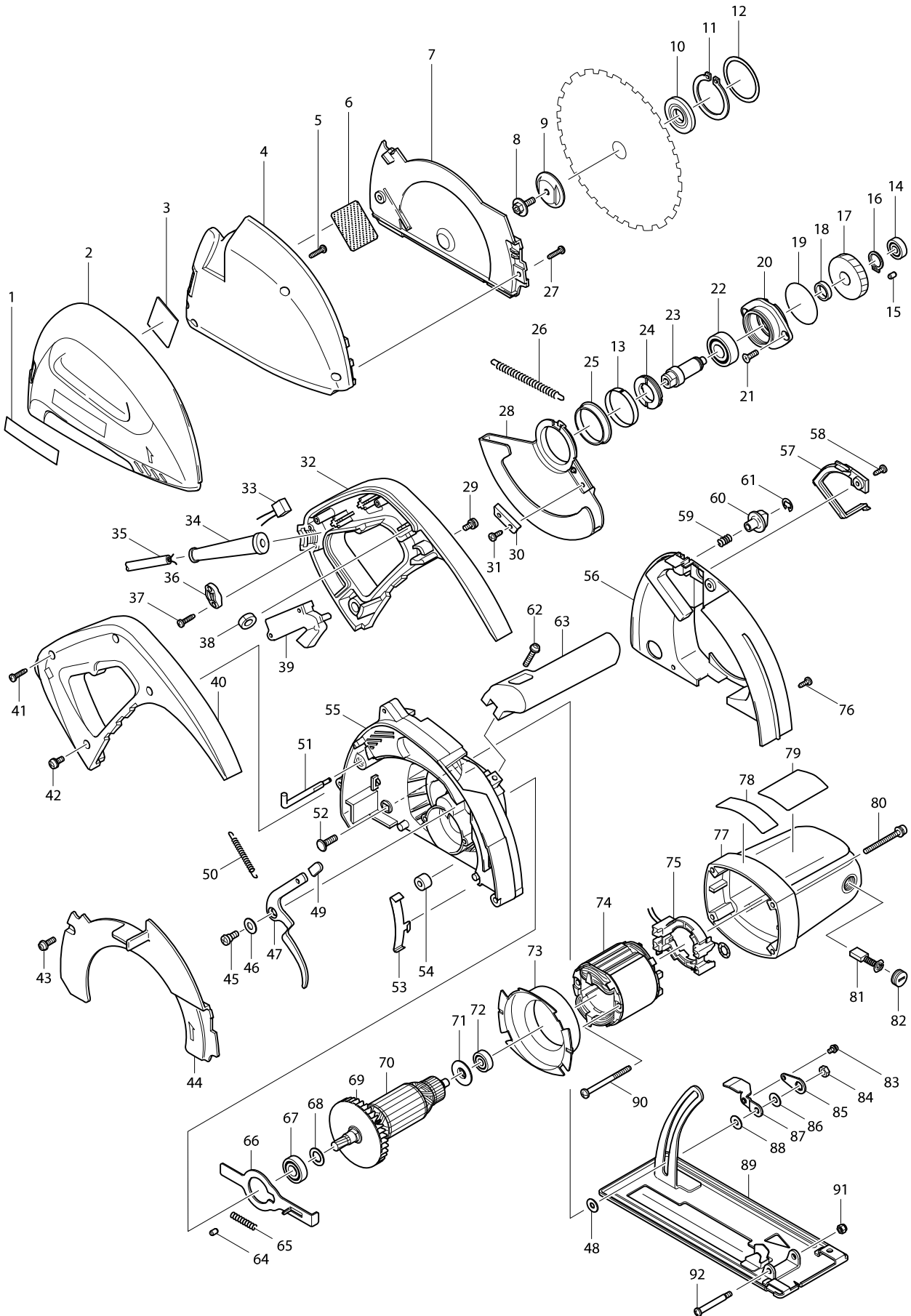


Model No. 4131 METAL CUTTER 185MM



Model No. 4131 METAL CUTTER 185MM

Item	Parts No.	Description	I/C	Qty	N/O	Sales	Purch.	Note
001	819064-1	MAKITA MARK		1				
002	183837-1	DUST CASE COVER		1				
C10	810055-5	CAUTION LABEL		1				
D10		INC. 1						
003	431005-3	HEAT RESISTING GLASS		1				
004	317776-5	DUST CASE		1				
005	265995-6	TAPPING SCREW 4X18		2				
006	343760-4	PUNCHING METAL COVER		1				
007	317777-3	DUST PLATE		1				
008	266226-6	HEX. SOCKET HEAD BOLT M6X18		1	*			
008-1	266458-5	HEX.SOCKET HEX.BOLT M6X18	<	1				
009	224366-6	OUTER FLANGE 40		1				
010	224370-5	INNER FLANGE 40		1				
011	961201-4	RETAINING RING S-42		1				
012	267784-5	WASHER 42		1				
013	343759-9	THICKNESS RING		1				
014	211031-6	BALL BEARING 608LLB		1				
015	263002-9	RUBBER PIN 4		1				
016	961055-9	RETAINING RING S-15		1				
017	226591-5	HELICAL GEAR 48		1				
018	257053-2	RING 15		1				
019	213621-1	O RING 46		1				
020	316579-4	BEARING BOX		1				
021	251372-8	+ COUNTERSUNK HEAD SCREW M5X		2				
022	211228-7	BALL BEARING 6202DDW		1				
023	324475-2	SPINDLE		1				
024	285807-7	BEARING RETAINER 22-36		1				
025	345422-0	SPACER		1	*			
025-1	346880-3	SPACER	<	1				
026	231828-7	TENSION SPRING 4		1	*			
026-1	231891-0	TENSION SPRING 4	<	1				
027	265995-6	TAPPING SCREW 4X18		2				
028	317775-7	SAFETY COVER		1				
029	911213-7	PAN HEAD SCREW M5X12		2				
030	344944-7	SUB PLATE		1				
031	266026-4	TAPPING SCREW BIND CT 4X12		1				
032-1	182648-1	HANDLE SET		1				
D10		INC. 40						
034	682503-2	CORD GUARD 8-90		1				
035A	692117-9	POWER SUPPLY CORD 1.5-2-2.5		1				
035B	664250-7	POWER SUPPLY CORD #16-2-2.5		1				
036A	687052-4	STRAIN RELIEF		1				
036B	687063-9	CORD CLAMP		1				
037	265995-6	TAPPING SCREW 4X18		2				
038	421492-4	SPONGE RING		1				
039	651054-6	SWITCH TG71C-2		1				
040-1	182648-1	HANDLE SET		1				
D10		INC. 32						

Model No. 4131 METAL CUTTER 185MM

Item	Parts No.	Description	I/C	Qty	N/O	Sales	Purch.	Note
041	265995-6	TAPPING SCREW 4X18		2				
042	911213-7	PAN HEAD SCREW M5X12		2				
043	911223-4	PAN HEAD SCREW M5X16		1				
044	317778-1	BLADE COVER		1				
045	251267-5	+ PAN HEAD SCREW M6		1				
046	941201-0	FLAT WASHER 8		1				
047	345421-2	OPEN LEVER		1				
048	253783-3	FLAT WASHER 6		1				
049-1	421903-9	RUBBER CAP		1				
050	231823-7	TENSION SPRING 4		1				
051	324476-0	HOOK		1				
052	266031-1	CAP SQUARE NECK BOLT M6X20		1				
053	343758-1	PROTECTOR		1				
054	262511-5	RUBBER SLEEVE 6		1				
055	153924-0	GEAR HOUSING COMPLETE		1				
D10		INC. 15,64						
056	418612-9	GEAR HOUSING COVER		1				
057	418613-7	LEAD COVER		1				
058	266026-4	TAPPING SCREW BIND CT 4X12		1				
059	231402-1	COMPRESSION SPRING 7		1				
060	271421-5	THUMB PIPE 23		1				
061	961017-7	STOP RING E-3		1				
062	911243-8	PAN HEAD SCREW M5X25		2				
063	415469-9	GRIP		1				
064	263002-9	RUBBER PIN 4		1				
065	233092-6	COMPRESSION SPRING 5		1				
066	343832-5	SHAFT LOCK		1				
067	211131-2	BALL BEARING 6001DDW		1				
068	253744-3	FLAT WASHER 12		1				
069	241876-8	FAN 76		1				
D10		INC. 67-69,71,72						
070A	513578-9	ARMATURE ASS'Y 220-240V		1				
070B	518645-5	ARMATURE ASS'Y 115V		1				
071	681634-4	INSULATION WASHER		1				
072	211031-6	BALL BEARING 608LLB		1				
073	415467-3	BAFFLE PLATE		1				
074A	634513-5	FIELD 220-240V		1				
074B	634511-9	FIELD 115V		1				
075	638358-3	SUPPORT COMPLETE		1				
076	266026-4	TAPPING SCREW BIND CT 4X12		3				
077	159685-0	MOTOR HOUSING COMPLETE		1				
C10	643754-2	BRUSH HOLDER		2				
078	816816-1	INDICATION LABEL		1				
079	860463-0	NAME PLATE 4131		1				
080	911263-2	PAN HEAD SCREW M5X40		4				
081	191963-2	CARBON BRUSH CB-303		1				
082	643750-0	BRUSH HOLDER CAP 7-11		2				
083	911108-4	PAN HEAD SCREW M4X8		1				

