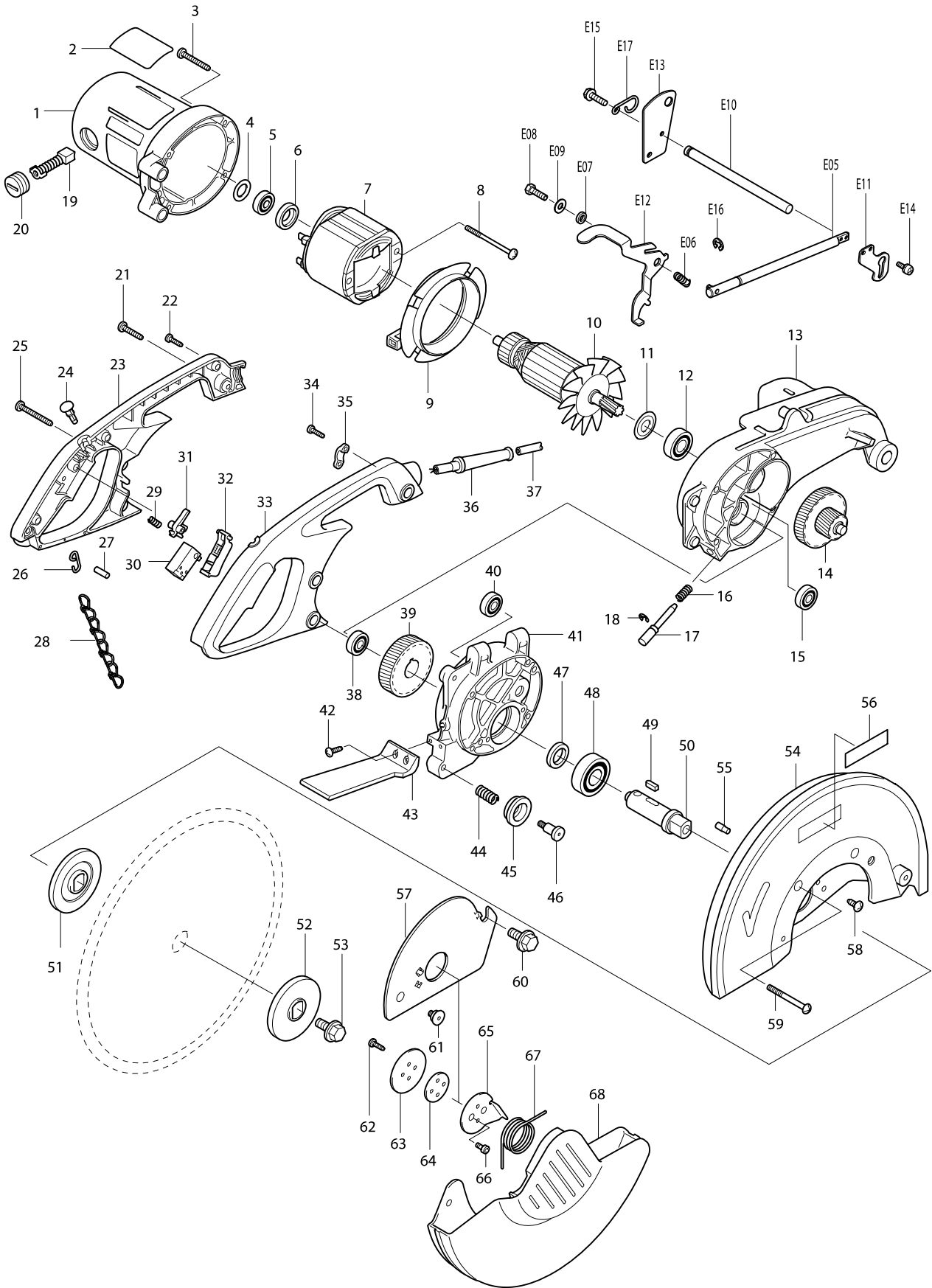
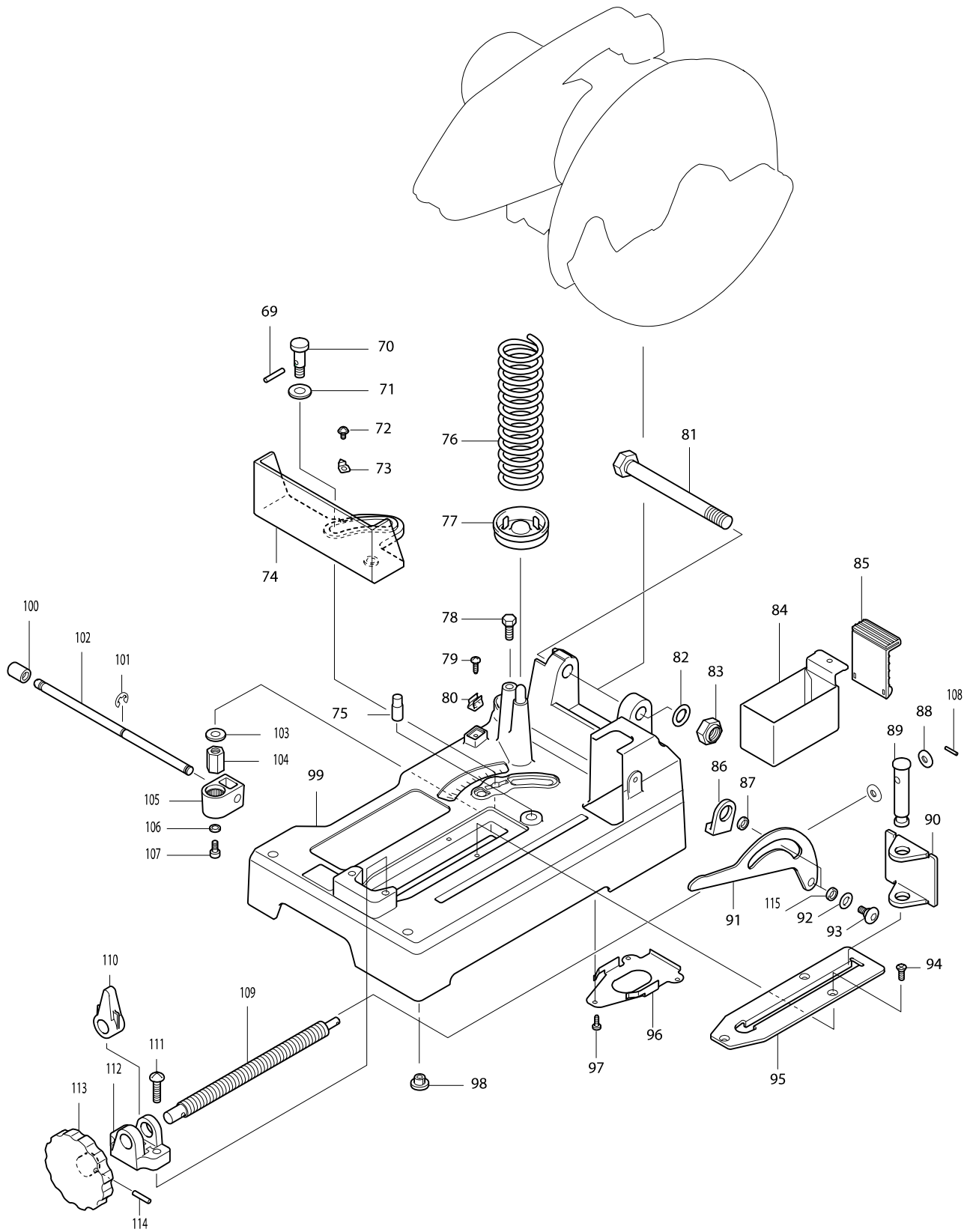


Model No. LC1230 METAL CUTTING SAW 305MM



Model No. LC1230 METAL CUTTING SAW 305MM



Model No. LC1230 METAL CUTTING SAW 305MM

Item	Parts No.	Description	I/C	Qty	N/O	Sales	Purch.	Note
001	151641-6	MOTOR HOUSING COMPLETE		1				
C10	632799-5	SUPPORT UNIT		1				
C20	643707-1	BRUSH HOLDER		2				
C30	810964-8	CAUTION LABEL		1				
C40	810968-0	CAUTION LABEL		1				
002	851537-8	NAME PLATE LC1230		1				
003	266028-0	TAPPING SCREW BIND CT 5X40		4				
004	253749-3	FLAT WASHER 16		1				
005-2	210042-8	BALL BEARING 629LLB		1				
006	681633-6	INSULATION WASHER		1	*			
006-1	681666-1	INSULATION WASHER	O	1				
007B	636166-6	FIELD 115V		1				
007A_A	636168-2	FIELD 220V		1				
008	266059-9	TAPPING SCREW 5X75		2				
009	415475-4	BAFFLE PLATE		1				
010A	516853-2	ARMATURE ASS'Y 220V		1				
C10	241514-2	FAN 92		1				
D10		INC. 5,6						
010B	516571-2	ARMATURE ASS'Y 115V		1	*			
C10	241514-2	FAN 92		1	*			
D10		INC. 5,6			*			
010-1B	510282-1	ARMATURE ASS'Y 115V	O	1				
C10	241514-2	FAN 92		1				
D10		INC. 5,6						
011	267714-6	WASHER 15		1				
012	211206-7	BALL BEARING 6202LLB		1				
013	316626-1	GEAR HOUSING (L)		1				
014	226122-0	GEAR COMPLETE 16-44		1				
015	211064-1	BALL BEARING 6000		1				
016	231418-6	COMPRESSION SPRING 9		1				
017	322678-2	SHAFT LOCK		1				
018	961014-3	STOP RING E-8		1				
019	191953-5	CARBON BRUSH CB-203		1				
020	643700-5	BRUSH HOLDER CAP 7-18		2				
021	266032-9	TAPPING SCREW BIND CT 5X30		1				
022	265995-6	TAPPING SCREW 4X18		4				
023	182628-7	HANDLE SET		1				
D10		INC. 33						
024	411478-6	SWITCH BUTTON		1				
025	266033-7	TAPPING SCREW BIND CT 5X50		2				
026	281207-9	HANGER		1	*			
026-1	281216-8	HANGER	O	1				
027	256012-3	PIN 6		1	*			
027-1	268101-2	PIN 6	O	1				
028-1	282016-9	CHAIN		1				
029	231397-8	COMPRESSION SPRING 4		1				
030	651922-3	SWITCH TG71B		1				
031	415366-9	SWITCH LOCK		1				

Model No. LC1230 METAL CUTTING SAW 305MM

Item	Parts No.	Description	I/C	Qty	N/O	Sales	Purch.	Note
032	152463-7	SWITCH LEVER COMPLETE		1				
033	182628-7	HANDLE SET		1				
D10		INC. 23						
034	265995-6	TAPPING SCREW 4X18		2				
035	687052-4	STRAIN RELIEF		1	*			
035-1	687124-5	STRAIN RELIEF	O	1				
036B	682505-8	CORD GUARD 10-90		1				
036B_A	682540-6	CORD GUARD 9.3-90		1				
037A	692527-0	POWER SUPPLY CORD 1.0-2-2.5		1				
037B	664463-0	POWER SUPPLY CORD AWG#14-2-2.5		1				
038	211064-1	BALL BEARING 6000		1				
039	226427-8	HELICAL GEAR 38		1				
040	211061-7	BALL BEARING 6000LLB		1				
041	317148-4	GEAR HOUSING R		1				
042	266034-5	TAPPING SCREW CT 4X16		2				
043	416869-6	PROTECTOR		1				
044	231226-5	COMPRESSION SPRING 11		1				
045	415474-6	BLADE GUIDE		1				
046	266030-3	SCREW M6		1				
047	257139-2	RING 20		1				
048	211329-1	BALL BEARING 6204DDW		1				
049	254229-2	KEY 5		1				
050	323828-2	SPINDLE		1				
051	224308-0	INNER FLANGE 69		1				
052-1	224379-7	OUTER FLANGE 69		1				
053	265414-2	HEX. FLANGE HEAD BOLT M10X20		1				
054	183089-4	BLADE CASE SET		1				
D10		INC. 56						
055	256405-4	PIN 6-7		2				
056	819064-1	MAKITA MARK		1				
057	344737-2	CENTER COVER		1				
058	266035-3	TAPPING SCREW BIND CT 5X12		2				
059	911383-2	PAN HEAD SCREW M6X60		4				
060	265414-2	HEX. FLANGE HEAD BOLT M10X20		1				
061-1	265121-7	+ FLAT HEAD SCREW M6		1				
062	266034-5	TAPPING SCREW CT 4X16		2				
063	344735-6	CENTER SUPPORT		1				
064	344734-8	CENTER WASHER		1				
065	344736-4	CENTER PLATE		1				
066	922107-1	HEX. SOCKET HEAD BOLT M4X8		2				
067	231643-9	TORSION SPRING 38		1				
068	317152-3	SAFETY COVER		1				
069	256098-7	PIN 5		1				
070	323882-6	COLLARED SHAFT 12		1				
071	253843-1	FLAT WASHER 12		1				
072	911103-4	PAN HEAD SCREW M4X6		1				
073	816128-2	POINTER		1				
074	310086-9	WISE		1				

Model No. LC1230 METAL CUTTING SAW 305MM

Item	Parts No.	Description	I/C	Qty	N/O	Sales	Purch.	Note
075	256453-3	PIN 12		1				
076	233103-7	COMPRESSION SPRING 45		1				
077	165066-8	SPRING HOLDER		1				
078	265412-6	HEX. BOLT M8X20		1				
079	266034-5	TAPPING SCREW CT 4X16		1				
080	232075-3	LEAF SPRING		1				
081	265413-4	HEX. BOLT M16		1				
082	253771-0	FLAT WASHER 16		1				
083	252044-8	HEX. NUT M16-24		1				
084	344740-3	DUST BOX		1				
085	421671-4	RUBBER PAD		1				
086	421670-6	CUSHION		1				
087	257222-5	RING 8		1				
088	253731-2	FLAT WASHER 8		2				
089	268040-6	PIN 16		1				
090	344118-0	VICE PLATE		1				
091A	344738-0	LINK PLATE		1	*			
091-1A	346633-0	LINK PLATE	O	1				
091-1B	346633-0	LINK PLATE		1				
092-1	267236-6	FLAT WASHER 8		2				
093-1	265089-7	+ PAN HEAD SCREW M6		2				
094	912212-2	COUNTERSUNK HEAD SCREW M5X12		3				
095	344119-8	GUIDE PLATE		1				
096	344739-8	UNDER PLATE		1				
097	266026-4	TAPPING SCREW BIND CT 4X12		3				
098	286212-1	CAP 20		5				
099	154764-9	BASE COMPLETE		1				
C10	810965-6	CAUTION LABEL		1				
100	286236-7	CAP 16		1				
101	961014-3	STOP RING E-8		2				
102	323883-4	LEVER ROD 10		1				
103	253024-7	FLAT WASHER 10		1				
104	252161-4	HEX. NUT M10-17		1				
105	151622-0	LEVER HOLDER COMPLETE		1				
106	941152-7	FLAT WASHER 6		1				
107-1	265381-1	HEX. BOLT M6X16		1				
108	951063-8	SPRING PIN 3-16		1				
109	322679-0	VICE SCREW		1				
110	322209-7	VICE NUT		1				
111	911451-1	PAN HEAD SCREW M8X30		2				
112	311949-2	SCREW GUIDE		1				
113-1	271072-4	HANDLE 100		1				
114	951166-8	SPRING PIN 5-24		1				
115	257157-0	RING 8		1				
A01	782210-8	SOCKET WRENCH 17		1				
A02	192219-6	SAFETY GOGGLE		1				
A03-1	A-87242	T.C.T.SAW BLADE 305X60TX25.4		1				
A04	411478-6	SWITCH BUTTON		2				