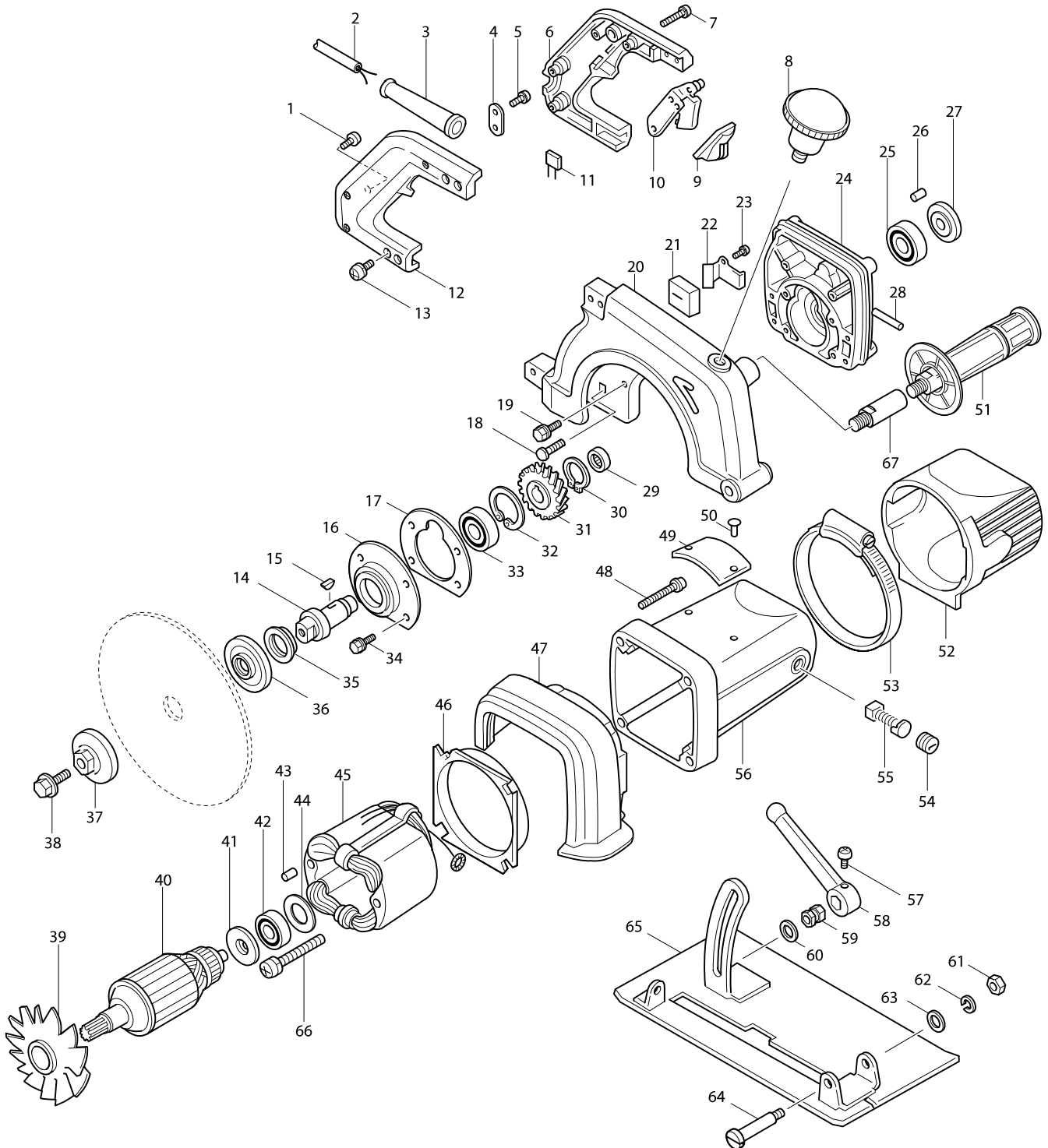


Model No. 4107R CUTTER 180MM



Model No. 4107R CUTTER 180MM

Item	Parts No.	Description	I/C	Qty	N/O	Sales	Purch.	Note
001	911103-4	PAN HEAD SCREW M4X6		1				
002H_B	664226-4	POWER SUPPLY CORD AWG#16-2-5.0		1	*			
002H1B	664276-9	POWER SUPPLY CORD AWG#16-2-5.0	S	1				
002T_A	692127-6	POWER SUPPLY CORD 1.5-2-5.0		1				
003B	682505-8	CORD GUARD 10-90		1				
003A_A	682503-2	CORD GUARD 8-90		1				
004B	687000-3	STRAIN RELIEF		1	*			
004-1B	687001-1	STRAIN RELIEF	S	1				
004A_A	687001-1	STRAIN RELIEF		1				
005	911128-8	PAN HEAD SCREW M4X16		2				
006-1	183178-5	HANDLE SET	O	1				
D10		INC. 12						
007	911153-9	PAN HEAD SCREW M4X28		3				
008	271207-7	KNOB 55		1				
009	421224-9	DUST COVER		1				
010-1	651018-0	SWITCH HPAHR2-3S		1				
012-1	183178-5	HANDLE SET	O	1				
D10		INC. 6						
013	911213-7	PAN HEAD SCREW M5X12		8				
014	325402-2	SPINDLE		1				
015	254001-2	WOODRUFF KEY 4		1				
016	315769-6	BEARING BOX		1				
017	442033-3	PACKING		1				
018	265835-8	CAP SQUARE NECK BOLT M8X30		1				
019-1	925231-9	+ HEX. BOLT M5X20		4				
020	315535-1	BLADE CASE		1	*			
020-1	317317-7	BLADE CASE	O	1	*			
020-2	319153-7	BLADE CASE	S	1				
021	685700-9	SPONGE SHEET		1				
022	343330-9	LEAD COVER		1				
023	911106-8	PAN HEAD SCREW M4X8		1				
024	157028-0	GEAR HOUSING		1	*			
D10		INC. 26			*			
024-1	151874-3	GEAR HOUSING COMPLETE	O	1	*			
D10		INC. 26			*			
024-2	143177-9	GEAR HOUSING COMPLETE	S	1				
D10		INC. 26						
025-1	211228-7	BALL BEARING 6202DDW		1				
026	263005-3	RUBBER PIN 6		1				
027	421281-7	WATERPROOF RING 34.5		1				
028	422016-9	SEAL RUBBER		1				
029	212101-4	NEEDLE BEARING 1210		1				
030	961057-5	RETAINING RING S-17		1				
031	221607-1	HELICAL GEAR 45		1				
032	962157-4	RETAINING RING R-40		1				
033-1	211278-2	BALL BEARING 6203DDW		1				
034-1	925221-2	+ HEX. BOLT M5X16		4				
035	421280-9	WATERPROOF RING 36		1				

Model No. 4107R CUTTER 180MM

Item	Parts No.	Description	I/C	Qty	N/O	Sales	Purch.	Note
036	224200-0	INNER FLANGE 55		1				
037-1	224286-4	OUTER FLANGE 55		1				
038	251644-1	HEX. FLANGE HEAD BOLT M8X20		1				
039	241072-8	FAN 97		1				
040A_B	514502-5	ARMATURE ASS'Y 115V-130V		1				
D10		INC. 25,27,39-42						
040C_A	514505-9	ARMATURE ASS'Y 220V		1				
D10		INC. 25,27,39-42						
041	681626-3	INSULATION WASHER		1	*			
041-1	681624-7	INSULATION WASHER	O	1	*			
041-2	681635-2	INSULATION WASHER	O	1	*			
041-3	681623-9	INSULATION WASHER	O	1				
042	211068-3	BALL BEARING 6200LB		1				
043	263002-9	RUBBER PIN 4		1				
044	253794-8	FLAT WASHER 18		1				
045A_B	524462-3	FIELD ASS'Y 115V-130V		1				
C10	654020-2	RING TERMINAL		2				
C20	654502-4	CONNECTOR P-2		2				
045C_A	524465-7	FIELD ASS'Y 220V		1				
C10	654020-2	RING TERMINAL		2				
C20	654502-4	CONNECTOR P-2		2				
046	343259-9	BAFFLE PLATE		1				
047	410920-4	COVER B		1				
048	911263-2	PAN HEAD SCREW M5X40		4				
049	855933-2	NAME PLATE 4107R		1				
050	953106-2	RIVET 0-5		2				
051	273488-9	GRIP 37		1	*			
051-1	152492-0	GRIP 36 COMPLETE	S	1				
052	410919-9	COVER A		1				
053	163255-9	CLAMP 120		1				
054	643650-4	BRUSH HOLDER CAP 6.5-13.5		2				
055-1	181044-0	CARBON BRUSH CB-153		1				
056	157745-2	MOTOR HOUSING		1	*			
C10	643653-8	BRUSH HOLDER 6.5-13.5		2	*			
C20	817846-5	CAUTION LABEL		1	*			
C40	913206-0	SET SCREW M5X8		2	*			
D10		INC. 43			*			
056-1	153416-9	MOTOR HOUSING COMPLETE	O	1				
C10	643653-8	BRUSH HOLDER 6.5-13.5		2				
C40	913206-0	SET SCREW M5X8		2				
D10		INC. 43						
057	911207-2	PAN HEAD SCREW M5X10		1				
058	133014-5	LEVER 98 ASS'Y		1				
D10		INC. 57						
059	252003-2	HEX. NUT M8-14		1				
060-1	253731-2	FLAT WASHER 8		1				
061	931401-0	HEX. NUT M8		1	*			
061-1	252105-4	HEX. LOCK NUT M8-13	<	1				

