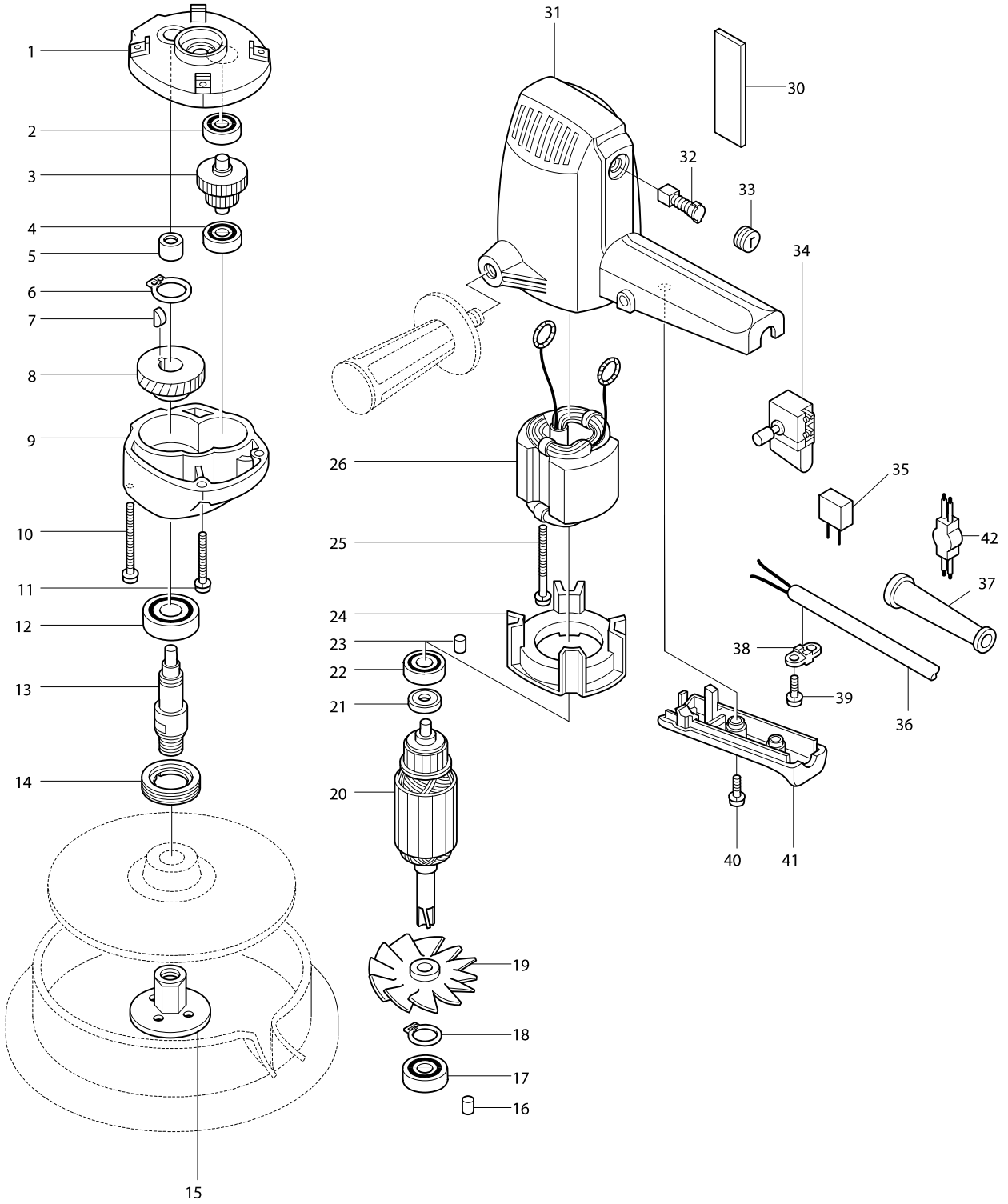


# Model No. 9218PB POLISHER 180MM



# Model No. 9218PB POLISHER 180MM

| Item  | Parts No. | Description                 | I/C | Qty | N/O | Sales | Purch. | Note |
|-------|-----------|-----------------------------|-----|-----|-----|-------|--------|------|
| 001   | 156994-8  | GEAR HOUSING COVER          |     | 1   |     |       |        |      |
| D10   |           | INC. 16                     |     |     |     |       |        |      |
| 002   | 211033-2  | BALL BEARING 608LB          |     | 1   |     |       |        |      |
| 003   | 226031-3  | GEAR COMPLETE 19-45         |     | 1   |     |       |        |      |
| 004   | 211033-2  | BALL BEARING 608LB          |     | 1   |     |       |        |      |
| 005   | 212052-1  | NEEDLE BEARING 1010         |     | 1   |     |       |        |      |
| 006   | 961055-9  | RETAINING RING S-15         |     | 1   |     |       |        |      |
| 007   | 254001-2  | WOODRUFF KEY 4              |     | 1   |     |       |        |      |
| 008   | 221267-9  | HELICAL GEAR 44             |     | 1   |     |       |        |      |
| 009   | 312671-4  | GEAR HOUSING                |     | 1   |     |       |        |      |
| 010   | 911186-4  | PAN HEAD SCREW M4X60        |     | 2   |     |       |        |      |
| 011   | 911166-0  | PAN HEAD SCREW M4X40        |     | 2   |     |       |        |      |
| 012   | 211206-7  | BALL BEARING 6202LLB        |     | 1   |     |       |        |      |
| 013-1 | 325528-0  | SPINDLE                     |     | 1   |     |       |        |      |
| 014   | 285809-3  | BEARING RETAINER 23-36      |     | 1   |     |       |        |      |
| 015-1 | 224523-6  | SANDING LOCK NUT 16-48      |     | 1   |     |       |        |      |
| 016   | 263002-9  | RUBBER PIN 4                |     | 1   |     |       |        |      |
| 017-1 | 211131-2  | BALL BEARING 6001DDW        |     | 1   |     |       |        |      |
| 018   | 961052-5  | RETAINING RING S-12         |     | 1   |     |       |        |      |
| 019-1 | 241518-4  | FAN 68                      |     | 1   |     |       |        |      |
| 020C_ | 512415-4  | ARMATURE ASS'Y 220V         |     | 1   |     |       |        |      |
| D10   |           | INC. 17-1,18,19,21,22       |     |     |     |       |        |      |
| 021   | 213002-9  | DUST SEAL 8                 |     | 1   |     |       |        |      |
| 022   | 211033-2  | BALL BEARING 608LB          |     | 1   |     |       |        |      |
| 023   | 263002-9  | RUBBER PIN 4                |     | 1   |     |       |        |      |
| 024   | 411241-7  | BAFFLE PLATE                |     | 1   |     |       |        |      |
| 025-3 | 911681-4  | PAN HEAD SCREW M5X60        |     | 2   |     |       |        |      |
| 026C_ | 522305-3  | FIELD ASS'Y 220V            |     | 1   |     |       |        |      |
| C10   | 654019-7  | RING TERMINAL               |     | 2   |     |       |        |      |
| C20   | 654501-6  | CONNECTOR P-1.25            |     | 2   |     |       |        |      |
| 030   | 811829-7  | NAME PLATE 9218PB           |     | 1   |     |       |        |      |
| 031   | 156105-5  | MOTOR HOUSING               |     | 1   | *   |       |        |      |
| C10   | 643603-3  | BRUSH HOLDER 6-10           |     | 1   | *   |       |        |      |
| C21   | 913206-0  | SET SCREW M5X8              |     | 2   | *   |       |        |      |
| D10   |           | INC. 23                     |     |     | *   |       |        |      |
| 031-1 | 159596-9  | MOTOR HOUSING               | S   | 1   |     |       |        |      |
| C11   | 643609-1  | BRUSH HOLDER 6-10           |     | 2   |     |       |        |      |
| D10   |           | INC. 23                     |     |     |     |       |        |      |
| 032B_ | 181030-1  | CARBON BRUSH CB-100         |     | 1   |     |       |        |      |
| 033   | 643600-9  | BRUSH HOLDER CAP 6-10       |     | 2   |     |       |        |      |
| 034D1 | 651232-8  | SWITCH SGEL206C             |     | 1   |     |       |        |      |
| 036U_ | 692021-2  | POWER SUPPLY CORD 1.0-2-2.5 |     | 1   |     |       |        |      |
| 037A_ | 682502-4  | CORD GUARD 8-85             |     | 1   |     |       |        |      |
| 038   | 687001-1  | STRAIN RELIEF               |     | 1   |     |       |        |      |
| 039-1 | 911133-5  | PAN HEAD SCREW M4X18        |     | 2   |     |       |        |      |
| 040-2 | 911138-5  | PAN HEAD SCREW M4X20        |     | 2   |     |       |        |      |
| 041   | 411239-4  | HANDLE COVER                |     | 1   | *   |       |        |      |
| 041-1 | 414994-7  | HANDLE COVER                | S   | 1   |     |       |        |      |

| Item  | Parts No. | Description        | I/C | Qty | N/O | Sales | Purch. | Note |
|-------|-----------|--------------------|-----|-----|-----|-------|--------|------|
| 043   | 819063-3  | MAKITA LABEL       |     | 1   |     |       |        |      |
| 400   | 743008-8  | RUBBER PAD 170     |     | 1   |     |       |        |      |
| 401   | 794176-0  | WOOL BONNET 180    |     | 1   |     |       |        |      |
| 402-1 | 152492-0  | GRIP 36 COMPLETE   |     | 1   |     |       |        |      |
| 403   | 781008-0  | WRENCH 17          |     | 1   |     |       |        |      |
| 404-1 | 782413-4  | LOCK NUT WRENCH 28 |     | 1   | *   |       |        |      |
| 404-2 | 782412-6  | LOCK NUT WRENCH 28 | O   | 1   |     |       |        |      |
|       |           |                    |     |     |     |       |        |      |
|       |           |                    |     |     |     |       |        |      |
|       |           |                    |     |     |     |       |        |      |
|       |           |                    |     |     |     |       |        |      |
|       |           |                    |     |     |     |       |        |      |
|       |           |                    |     |     |     |       |        |      |
|       |           |                    |     |     |     |       |        |      |
|       |           |                    |     |     |     |       |        |      |
|       |           |                    |     |     |     |       |        |      |
|       |           |                    |     |     |     |       |        |      |
|       |           |                    |     |     |     |       |        |      |
|       |           |                    |     |     |     |       |        |      |
|       |           |                    |     |     |     |       |        |      |
|       |           |                    |     |     |     |       |        |      |
|       |           |                    |     |     |     |       |        |      |
|       |           |                    |     |     |     |       |        |      |
|       |           |                    |     |     |     |       |        |      |
|       |           |                    |     |     |     |       |        |      |
|       |           |                    |     |     |     |       |        |      |
|       |           |                    |     |     |     |       |        |      |
|       |           |                    |     |     |     |       |        |      |
|       |           |                    |     |     |     |       |        |      |
|       |           |                    |     |     |     |       |        |      |
|       |           |                    |     |     |     |       |        |      |
|       |           |                    |     |     |     |       |        |      |
|       |           |                    |     |     |     |       |        |      |
|       |           |                    |     |     |     |       |        |      |
|       |           |                    |     |     |     |       |        |      |
|       |           |                    |     |     |     |       |        |      |
|       |           |                    |     |     |     |       |        |      |
|       |           |                    |     |     |     |       |        |      |
|       |           |                    |     |     |     |       |        |      |
|       |           |                    |     |     |     |       |        |      |
|       |           |                    |     |     |     |       |        |      |
|       |           |                    |     |     |     |       |        |      |
|       |           |                    |     |     |     |       |        |      |
|       |           |                    |     |     |     |       |        |      |
|       |           |                    |     |     |     |       |        |      |
|       |           |                    |     |     |     |       |        |      |
|       |           |                    |     |     |     |       |        |      |
|       |           |                    |     |     |     |       |        |      |
|       |           |                    |     |     |     |       |        |      |
|       |           |                    |     |     |     |       |        |      |
|       |           |                    |     |     |     |       |        |      |
|       |           |                    |     |     |     |       |        |      |
|       |           |                    |     |     |     |       |        |      |
|       |           |                    |     |     |     |       |        |      |
|       |           |                    |     |     |     |       |        |      |