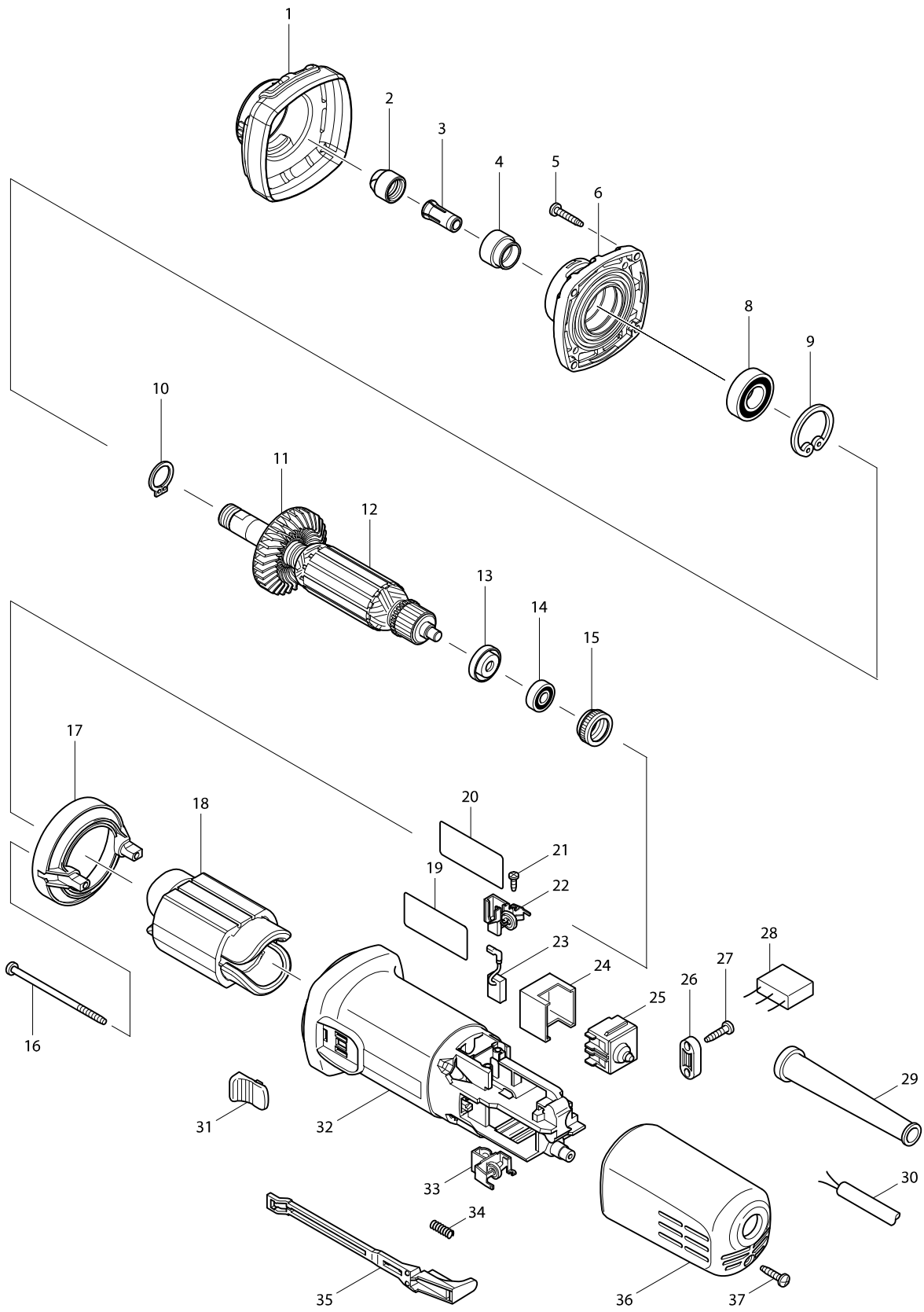


# Model No. GD0602 DIE GRINDER



# Model No. GD0602 DIE GRINDER

Item	Parts No.	Description	I/C	Qty	N/O	Sales	Purch.	Note
001	424164-0	INSULATION COVER		1				
002	763668-0	COLLET NUT		1				
003	763670-3	COLLET CONE 6		1				
004	324995-6	BUSH 15		1				
005	266324-6	TAPPING SCREW 4X22		4				
006	140091-0	BEARING BOX COMPLETE		1				
008	211237-6	BALL BEARING 6002LLB		1				
009	962151-6	RETAINING RING R-32		1				
010	961055-9	RETAINING RING S-15		1				
011	240111-1	FAN 56		1				
012	518801-7	ARMATURE ASS'Y 220V		1				
D10		INC. 11,13,14						
013	681636-0	INSULATION WASHER		1				
014	210034-7	BALL BEARING 607LLB		1				
015	421868-5	LABYRINTH RUBBER RING 19		1				
016	266345-8	TAPPING SCREW 4X80		2				
017	418770-1	BAFFLE PLATE		1				
018	621723-3	FIELD 220-240V		1				
019	866084-6	GD0602 NAME PLATE		1				
020	819329-1	CLEAR LABEL		1	*			
020-1	892295-7	CLEAR LABEL	<	1				
021	266007-8	TAPPING SCREW BIND PT 3X10		4				
022	643760-7	BRUSH HOLDER		1				
023	194074-2	CARBON BRUSH CB-325		1				
024	418729-8	SPACER		1				
025	650560-8	SWITCH DPX-2110-R		1	*			
025-1	651947-7	SWITCH 1247.0302	O	1				
026	687123-7	STRAIN RELIEF		1				
027	266326-2	TAPPING SCREW 4X18		2				
029	682559-5	CORD GUARD 8		1				
030	692021-2	POWER SUPPLY CORD 1.0-2-2.5		1				
031	419566-3	SWITCH KNOB		1				
032	418725-6	MOTOR HOUSING		1				
033	643760-7	BRUSH HOLDER		1				
034	233121-5	COMPRESSION SPRING 4		1				
035	418728-0	SWITCH LEVER B		1				
036	418726-4	REAR COVER		1				
037	266326-2	TAPPING SCREW 4X18		1				
A01	781039-9	WRENCH 13		2				