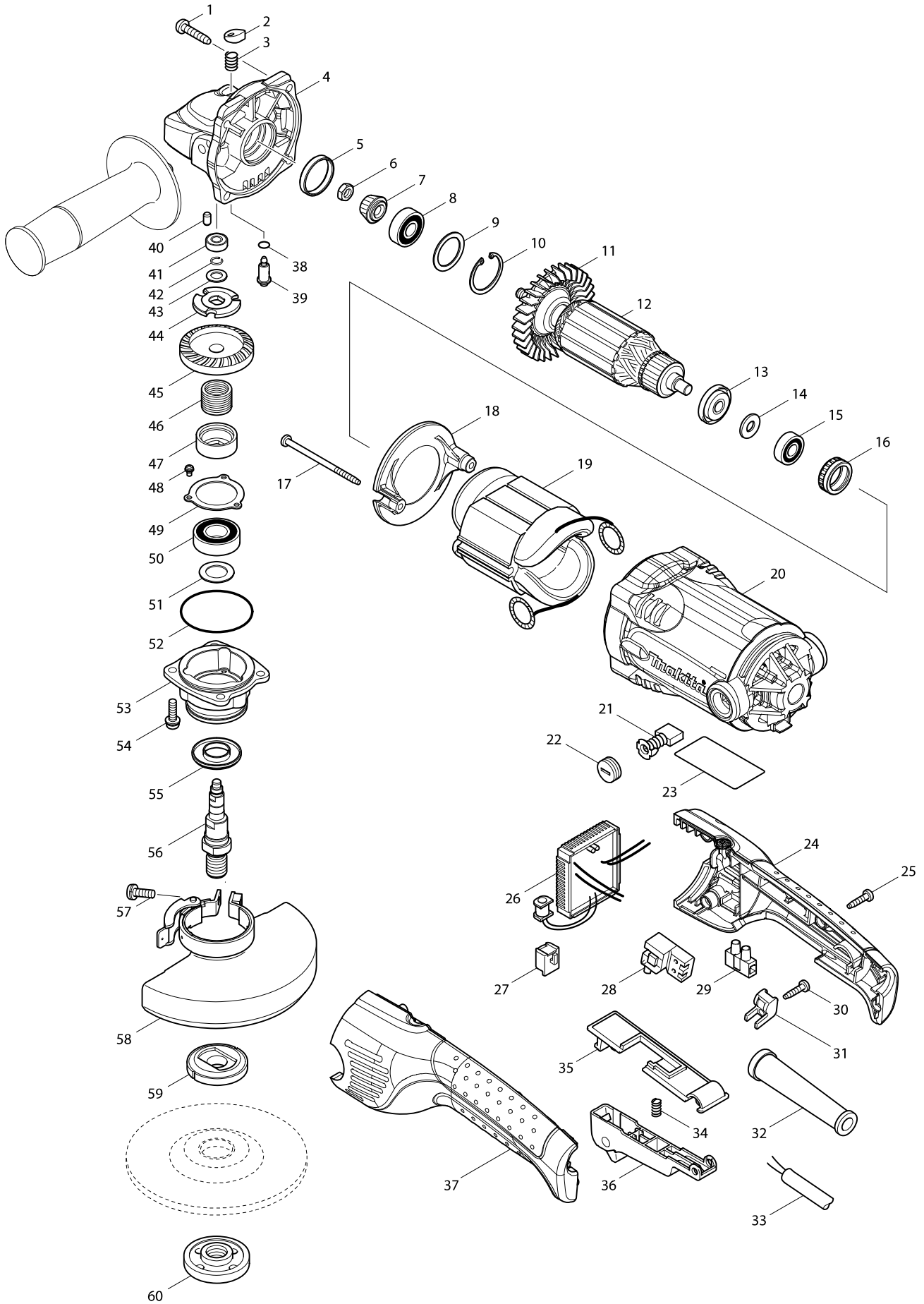


Model No. GA5021C ANGLE GRINDER 125MM



Model No. GA5021C ANGLE GRINDER 125MM

Item	Parts No.	Description	I/C	Qty	N/O	Sales	Purch.	Note
001-1	266459-3	TAPPING SCREW 5X25		4				
002	417771-6	PIN CAP		1				
003	234057-1	COMPRESSION SPRING 8		1				
004	318158-4	GEAR HOUSING		1				
005	424051-3	RUBBER RING 26		1				
006	264010-3	HEX.NUT M7		1				
007	227520-1	SPIRAL BEVEL GEAR 11		1				
008-1	210059-1	BALL BEARING 600DDW		1				
009	267352-4	FLAT WASHER 22		1				
010	962107-9	RETAINING RING (INT) R-30		1				
011	240094-5	FAN 70		1				
012	518676-4	ARMATURE ASS'Y 220V		1				
D10		INC. 11,13-15						
013	681660-3	INSULATION WASHER		1				
014	267281-1	FLAT WASHER 8		1				
015-1	210005-4	BALL BEARING 608DDW		1				
016	421720-7	RUBBER RING 22		1				
017	266325-4	TAPPING SCREW 4X70		2				
018	419961-7	BAFFLE PLATE		1				
019	525783-6	FIELD ASS'Y 220V		1				
C10	654020-2	RING TERMINAL		2				
C20	654501-6	CONNECTOR P-1.25		2				
020	158398-0	MOTOR HOUSING COMPLETE		1				
C10	643751-8	BRUSH HOLDER		2				
021	194547-5	CARBON BRUSH CB-253		1				
022	643750-0	BRUSH HOLDER CAP 7-11		2				
023	864047-6	GA5021C NAME PLATE		1				
024	188452-6	HANDLE SET		1				
D10		INC. 37						
025	266326-2	TAPPING SCREW 4X18		4				
026	631799-2	CONTROLLER		1				
027	418518-1	SLEEVE		1				
028	651922-3	SWITCH TG71B		1	*			
028-1	650677-7	SWITCH C3PA-1112	<	1	*			
028-2	651922-3	SWITCH TG71B	<	1				
029	654575-7	TERMINAL BLOCK		1				
030	266326-2	TAPPING SCREW 4X18		1				
031	687260-7	STRAIN RELIEF		1				
032	682574-9	CORD GUARD 10-90		1				
033	692527-0	POWER SUPPLY CORD 1.0-2-2.5		1				
034	233117-6	COMPRESSION SPRING 6		1				
035	418519-9	SWITCH BASE		1				
036	158403-3	SWITCH LEVER C COMPLETE		1				
037	188452-6	HANDLE SET		1				
D10		INC. 24						
038	213977-2	O RING 7		1				
039	256505-0	SHOULDER PIN 5		1				
040	263002-9	RUBBER PIN 4		1				

