



HK

HONG KONG

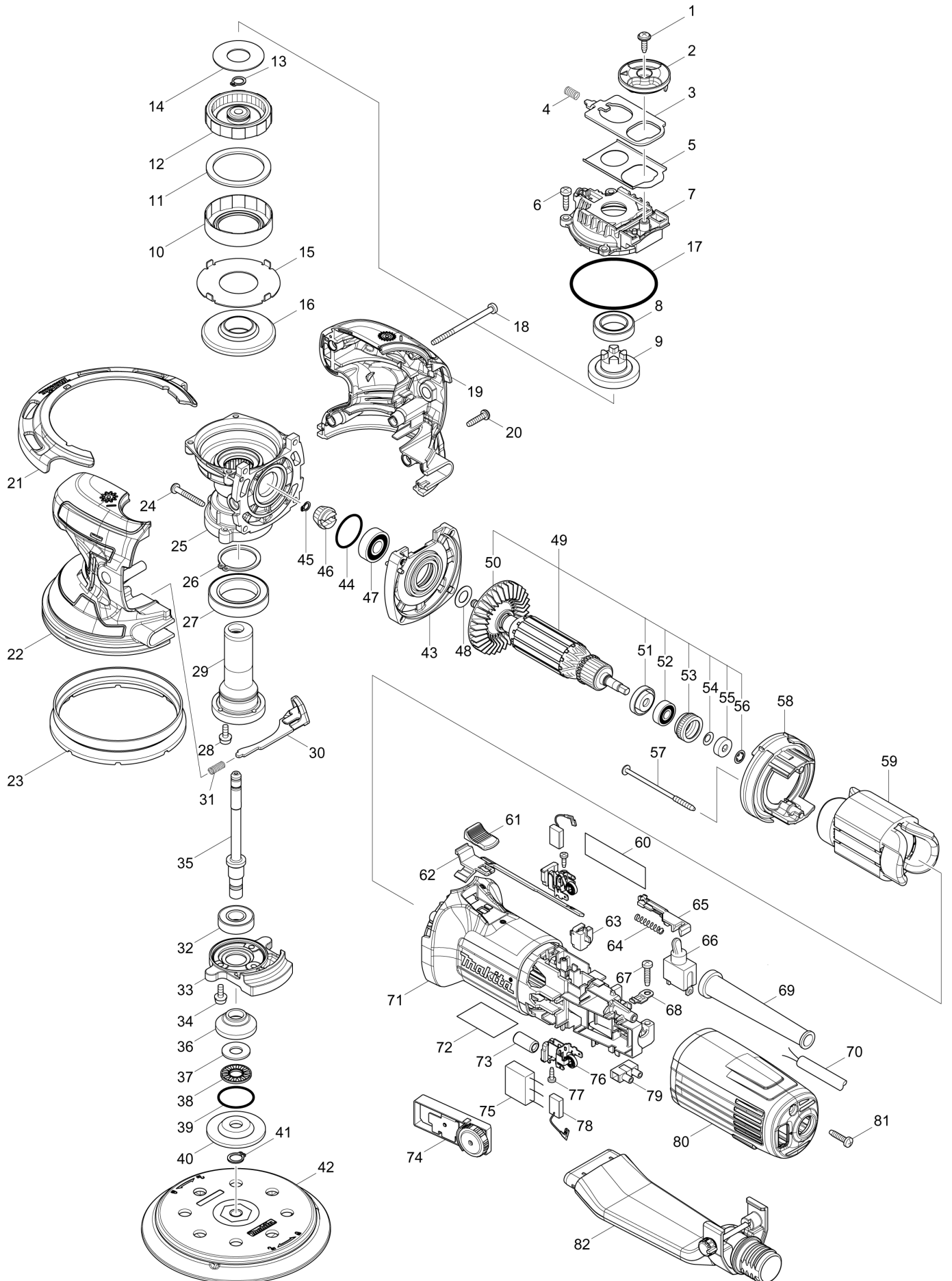
Diagram / Parts List

BO6050

150MM RANDOM ORBIT SANDER



(HK) BO6050 / 150MM RANDOM ORBIT SANDER



HK

HONG KONG

BO6050 / 150MM RANDOM ORBIT SANDER

Item	Sub	Parts No.	Parts Description	Qty	I/C	E/C No.	Close No.	Remark
001		266901-4	TAPPING SCREW 4X14	1				
002		456126-0	CHANGE KNOB	1				
003		346914-2	CHANGE PLATE	1			B4698	
003-1		347150-3	CHANGE PLATE	1	<	B4698		
004		231490-8	COMPRESSION SPRING 5	1				
005		346913-4	GUIDE PLATE	1				
006		266034-5	TAPPING SCREW CT 4X16	4				
007		456117-1	TOP COVER	1				
008		211333-0	BALL BEARING 6804LLU	1				
009		227386-9	SPUR GEAR 31	1			D0595	
009-1		226935-9	SPUR GEAR 31	1	<	D0595		
010		424748-4	BRAKE RING	1				
011		261157-4	SPONGE WASHER 40	1				
012		227387-7	INTERNAL GEAR 34	1				
013		961004-6	RETAINING RING (EXT) S-8	1				
014		267290-0	FLAT WASHER 18	1				
015		346912-6	PLATE	1				
016		227648-5	SPIRAL BEVEL GEAR 43	1				
017		213707-1	O RING 65	1				
018		266060-4	TAPPING SCREW 4X65	1				
019		183B68-4	HEAD COVER SET	1				
	D10		INC. 22					
020		265995-6	TAPPING SCREW 4X18	4				
021		456127-8	PAD PROTECTOR	1				
022		183B68-4	HEAD COVER SET	1				
	D10		INC. 19					
023		424747-6	RUBBER GUARD	1				
024		266050-7	TAPPING SCREW 4X30	4				
025		143324-2	GEAR HOUSING COMPLETE	1				
026		961110-7	RETAINING RING S-30	1				
027		211445-9	BALL BEARING 6906DDW	1				
028		911119-9	PAN HEAD SCREW M4X12	3				
029		143325-0	OUTER SPINDLE COMPLETE	1				
030		143376-3	SHAFT LOCK COMPLETE	1				
031		233285-5	COMPRESSION SPRING 4	1				
032		211131-2	BALL BEARING 6001DDW	1				
033		319330-1	BALANCER	1				
034		911119-9	PAN HEAD SCREW M4X12	3				
035		143375-5	INNER SPINDLE COMPLETE	1				
036		326582-7	COVER	1				
037		253024-7	FLAT WASHER 10	1				
038		216413-7	THRUST NEEDLE CAGE 1024	1				
039		213445-5	O-RING 26	1				
040		326581-9	FLANGE	1				
041		961006-2	RETAINING RING S-10	1				
042		197314-7	PAD 150 SET	1				
043		143327-6	GEAR HOUSING COVER COMPLETE	1				
044		213445-5	O-RING 26	1				
045		961002-0	RETAINING RING S-6	1				
046		227647-7	SPIRAL BEVEL GEAR 11	1				
047		210059-1	BALL BEARING 6000DDW	1				
048		253758-2	FLAT WASHER 10	1				
049		513443-2	ARMATURE ASS'Y 220-240V	1				
	D10		INC. 50-56					
050		240084-8	FAN 60	1				
051		681636-0	INSULATION WASHER	1				
052		210034-7	BALL BEARING 607LLB	1				
053		421868-5	LABYRINTH RUBBER RING 19	1				
054		267756-0	WAVE WASHER 6	1				
055		688117-5	MAGNET SLEEVE	1				
056		259039-2	SELF LOCK 6	1				
057		266049-2	TAPPING SCREW 4X75	2				
058		456116-3	BAFFLE PLATE	1				
059		621773-8	FIELD 220-240V	1				
060		851L09-5	BO6050 NAME PLATE	1				

A:BO6050J(H)

Interchange

O : Yes

X : No

< : the new part can be substituted for the current.

> : the current part can be substituted for the new.

S : Interchangeable as a set.

