



HK

HONG KONG

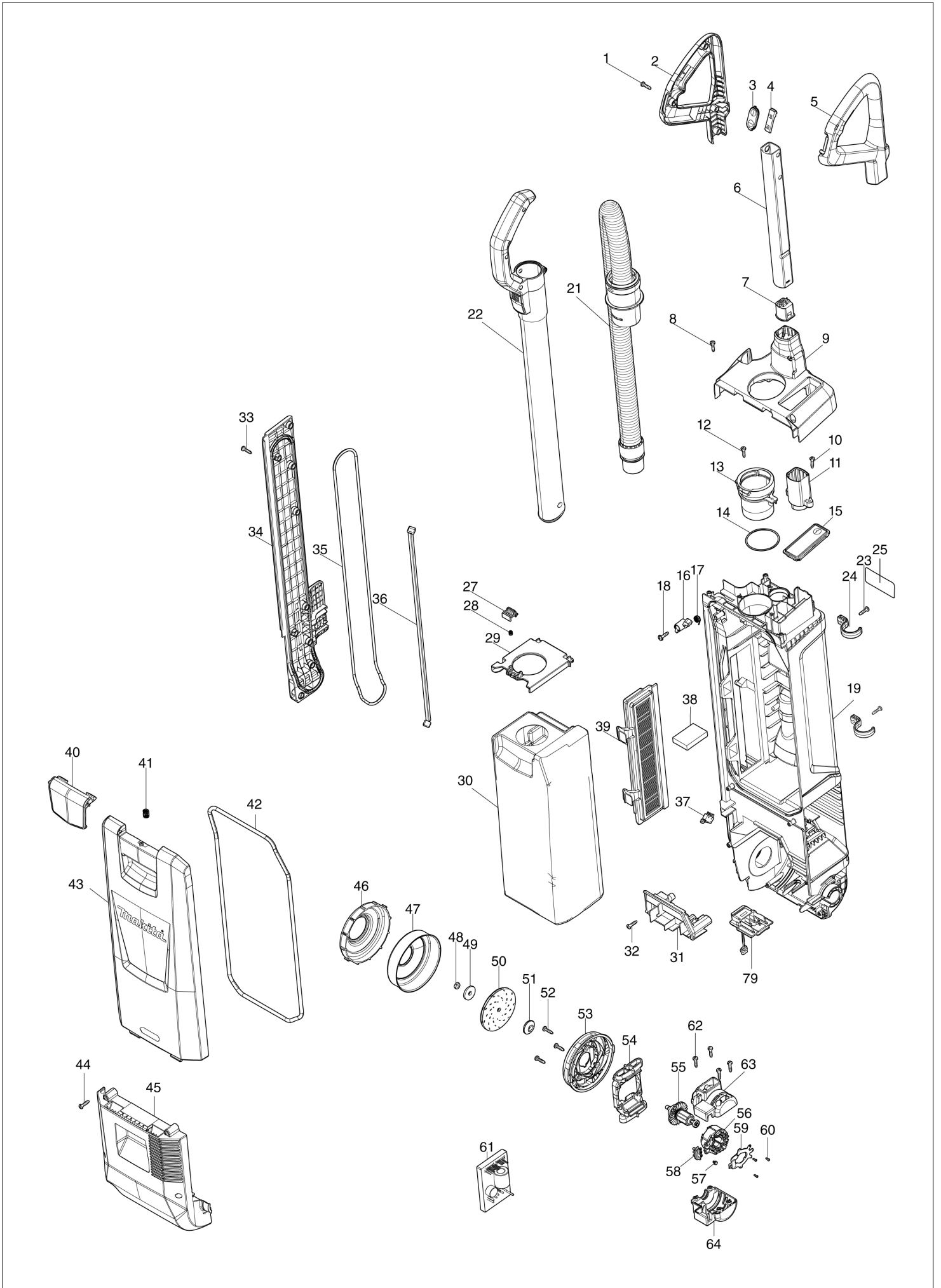
Diagram / Parts List

VC010G

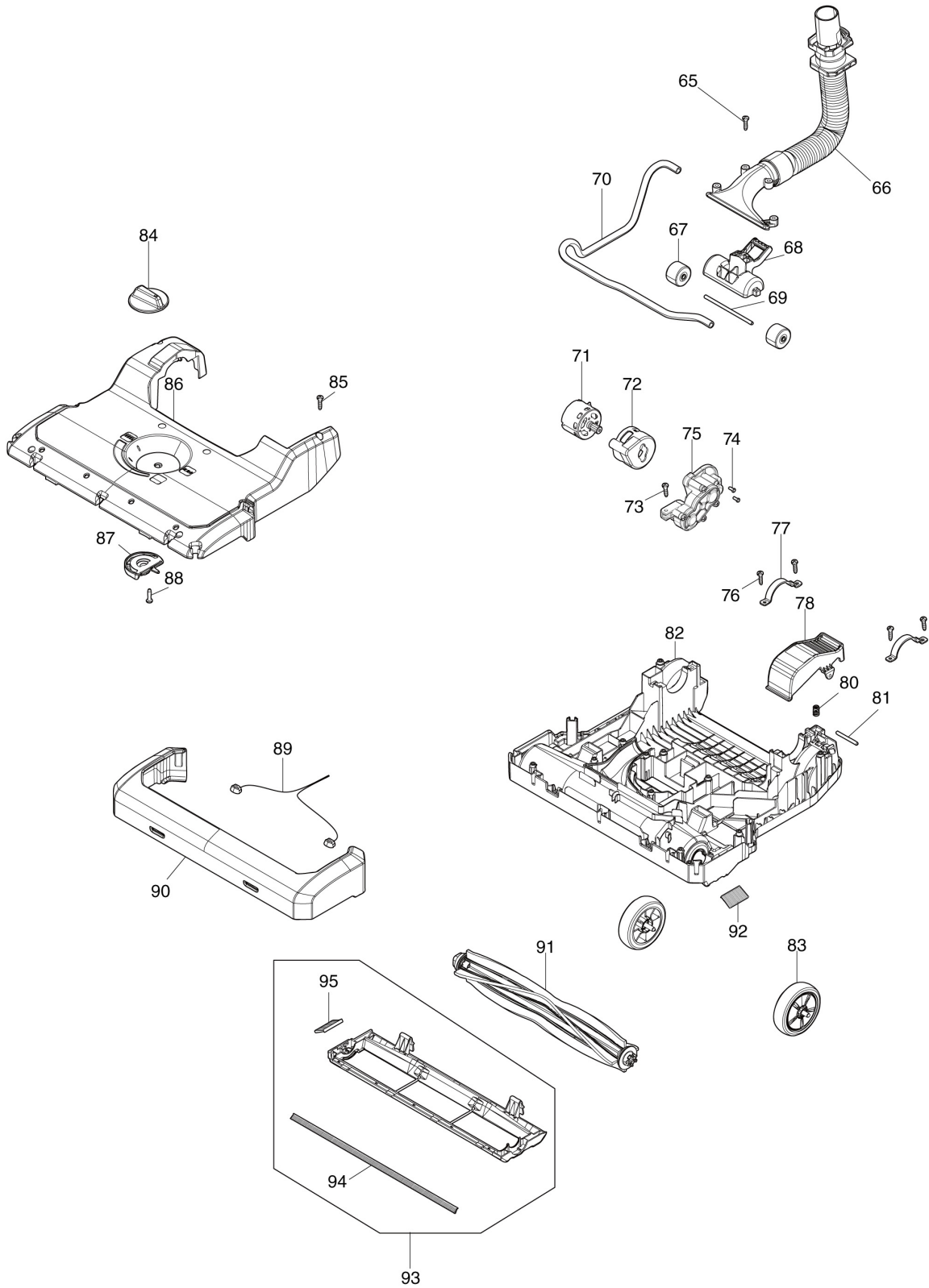
CORDLESS UPRIGHT CLEANER



(HK) VC010G / CORDLESS UPRIGHT CLEANER



(HK) VC010G / CORDLESS UPRIGHT CLEANER



HK

HONG KONG

VC010G / CORDLESS UPRIGHT CLEANER

Item	Sub	Parts No.	Parts Description	Qty	I/C	E/C No.	Close No.	Remark
001		266326-2	TAPPING SCREW 4X18	4				
002		183R12-7	HANDLE SET	1				
	D10		INC. 5					
003		141R09-2	SWITCH PLATE COMPLETE	1				
004		631973-2	SWITCH UNIT	1				
005		183R12-7	HANDLE SET	1				
	D10		INC. 2					
006		327555-3	PIPE A	1				
007		632R23-4	LEAD UNIT	1				
008		266326-2	TAPPING SCREW 4X18	4				
009		141R11-5	TOP COVER COMPLETE	1				
010		266326-2	TAPPING SCREW 4X18	2				
011		632R22-6	LEAD UNIT	1				
012		266326-2	TAPPING SCREW 4X18	2				
013		412455-1	INLET	1				
014		213663-5	O RING 55	1				
015		141R13-1	INDICATION CIRCUIT COMPLETE	1				
016		413R48-5	STOPPER PLATE	1				
017		232627-0	TORSION SPRING 9	1				
018		265678-8	TAPPING SCREW 4X18	1				
019		137100-4	DUST BOX ASSEMBLY	1				
	C10	263005-3	RUBBER PIN 6	1				
	C20	266326-2	TAPPING SCREW 4X18	1				
	C30	413R43-5	FOOT LEVER STOPPER	1				
021		141R15-7	HOSE COMPLETE 28-0.7	1				
022		127522-6	PIPE ASSEMBLY	1				
023		266326-2	TAPPING SCREW 4X18	2				
024		412444-6	NOZZLE HOLDER	2				
025		8143R7-2	VC010G NAME PLATE	1				
027		412464-0	LOCK LEVER A	1				
028		231309-1	COMPRESSION SPRING 5	1				
029		412463-2	STAY	1				
030		162A02-1	FILTER BAG	1			Y09348	
030-1		191T96-3	FILTER BAG SET	1	O	Y09348		
031		137101-2	TERMINAL CASE ASSEMBLY	1				
	C10	263005-3	RUBBER PIN 6	1				
032		266326-2	TAPPING SCREW 4X18	2				
033		266326-2	TAPPING SCREW 4X18	9				
034		413R47-7	SIDE DUST BOX COVER	1				
035		422A29-6	SEAL RING B	1				
036		632R24-2	LEAD UNIT	1				
037		632R30-7	SWITCH UNIT	1				
038		422A26-2	SPONGE SHEET	1				
039		162808-1	MAIN FILTER H	1			Y09348	
039-1		191E39-5	MAIN FILTER H SET	1	O	Y09348		
040		412446-2	LATCH	1				
041		234391-9	COMPRESSION SPRING 8	1				
042		422A27-0	SEAL RING A	1				
043		413R44-3	DUST BOX COVER	1				
044		266326-2	TAPPING SCREW 4X18	6				
045		141R06-8	MOTOR COVER COMPLETE	1				
	C10	422A91-1	SPONGE SHEET	1				
046		422A23-8	SUPPORT RING	1				
047		347B39-7	FAN COVER	1				
048		252268-6	HEX. NUT M6	1				
049		253752-4	FLAT WASHER 8	1				
050		240243-4	FAN 80	1				
051		313062-2	FLANGE	1				
052		266326-2	TAPPING SCREW 4X18	3				
053		413R40-1	FAN BASE	1				
054		422A22-0	SUPPORT	1				
055		619704-9	ROTOR	1				
056		629C29-1	STATOR	1				
057		652069-6	FLAT HEAD SCREW M3X6	3				
058		632R64-0	LEAD UNIT	1				

Z:VC010GZ(N)

Interchange

O : Yes

X : No

< : the new part can be substituted for the current.

> : the current part can be substituted for the new.

S : Interchangeable as a set.

HK	HONG KONG
-----------	------------------

VC010G / CORDLESS UPRIGHT CLEANER

Item	Sub	Parts No.	Parts Description	Qty	I/C	E/C No.	Close No.	Remark
059		620H32-5	CONTROLLER B	1				
060		266490-9	TAPPING SCREW PT 2X6	3				
061		620M72-3	CONTROLLER	1				
062		266326-2	TAPPING SCREW 4X18	4				
063		1830D9-6	MOTOR HOUSING SET	1				
	D10		INC. 64					
064		1830D9-6	MOTOR HOUSING SET	1				
	D10		INC. 63					
065		266326-2	TAPPING SCREW 4X18	4				
066		141R14-9	HOSE COMPLETE 28-0.1	1				
067		412434-9	FRONT ROLLER	2				
068		413R55-8	FRONT ROLLER HOLDER	1				
069		256954-1	FRONT ROLLER SHAFT	1				
070		422A32-7	TUBE	1				
071		629A11-8	DC MOTOR	1				
072		422A33-5	TUBE JOINT	1				
073		266326-2	TAPPING SCREW 4X18	2				
074		265199-0	+ PAN HEAD SCREW M3X8	2				
075		122G23-1	BRUSH GEAR ASSEMBLY	1				
076		266326-2	TAPPING SCREW 4X18	4				
077		347719-3	HINGE HOLDER	2				
078		413J90-8	FOOT LEVER	1				
079		632P49-4	TERMINAL UNIT	1				
080		234339-1	COMPRESSION SPRING 6	1				
081		256965-6	PIN 4	1				
082		141R04-2	LOWER HOUSING COMPLETE	1				
	C10	8073R1-1	CAUTION LABEL	1				
083		140S28-1	CASTER 75 COMPLETE	2				
084		412438-1	HEIGHT CHANGE LEVER	1				
085		266326-2	TAPPING SCREW 4X18	6				
086		413R41-9	UPPER HOUSING	1				
087		413R56-6	CAM	1				
088		266326-2	TAPPING SCREW 4X18	1				
089		620M58-7	LED CIRCUIT	1				
090		422A24-6	BUMPER	1				
091		1914B1-8	BRUSH COMPLETE SET	1				
092		422577-9	SIDE BRUSH	1				
093		122E44-1	BOTTOM PLATE ASSEMBLY	1				
	D10		INC. 94,95					
094		422A31-9	BRUSH	1				
095		413R52-4	BRUSH HOLDER	1			Y09488	
095-1		422577-9	SIDE BRUSH	1	X	Y09488		
A01		191D65-8	LONG SASH NOZZLE SET	1				
A02		191D67-4	ROUND BRUSH SET	1				
A03		191T96-3	FILTER BAG SET	1				

Z:VC010GZ(N)	Interchange O : Yes X : No < : the new part can be substituted for the current. > : the current part can be substituted for the new. S : Interchangeable as a set.
--------------	---