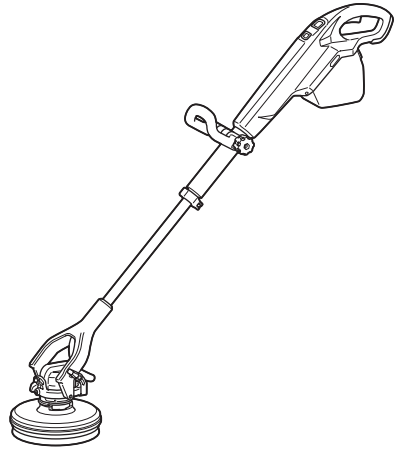




INSTRUCTION MANUAL



Cordless Polisher Scrubber

PS001G



  Read before use.

WARNING

- This appliance is not intended for use by persons (including children) with reduced physical, sensory or mental capabilities, or lack of experience and knowledge.
- For users in Europe:
Children shall not play with the appliance. Cleaning and user maintenance shall not be made by children without supervision.
- For users in areas other than Europe:
Children should be supervised to ensure that they do not play with the appliance.
- CAUTION: Before carrying out any maintenance operation, disconnect the appliance from the power supply. Perform maintenance on the appliance periodically.
- See the section "*Important safety instructions for battery cartridge*" for prohibited matters or important matters of the battery cartridge.
- See the section "*Assembly*" for the appropriate details of precautions during before installation of the appliance.
- See the section "*Installing and removing battery cartridge*" for how to install or remove the battery.

Applicable battery cartridge and charger

Battery cartridge	BL4020* / BL4025* / BL4040* / BL4040F* / BL4050F / BL4080F * : Recommended battery
Charger	DC40RA / DC40RB / DC40RC / DC40WA

- Some of the battery cartridges and chargers listed above may not be available depending on your region of residence.

⚠WARNING: Only use the battery cartridges and chargers listed above. Use of any other battery cartridges and chargers may cause injury and/or fire.

⚠WARNING: Do not use a corded power supply such as battery adapter or portable power pack with this appliance. Battery cover will not close.

INTRODUCTION

Specifications

Model:	PS001G	
Brush diameter	190 mm	
Pad diameter	200 mm	
No load speed	3 (High)	600 min ⁻¹
	2 (Medium)	350 min ⁻¹
	1 (Low)	150 min ⁻¹
Dimensions (L x W x H)	without accessory and splash guard, with front handle	1,081 - 1,435 mm x 204 mm x 361 mm
Rated voltage	D.C. 36 V - 40 V max	
Net weight	4.4 - 5.6 kg	
Protection degree	IPX4	

- Due to our continuing program of research and development, the specifications herein are subject to change without notice.
- The weight does not include accessory and splash guard but front handle and battery cartridge. The lightest and heaviest combination weight of the appliance and battery cartridge is shown in the table.
- Specifications and battery cartridge may differ from country to country.

Symbols

The followings show the symbols which may be used for the equipment. Be sure that you understand their meaning before use.



Read instruction manual.



Take particular care and attention.



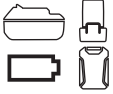
Never throw water over the head of the appliance.



Do not let the battery cartridge contact with chemical liquid such as cleaning agent or solvent.



Adjust the height of the splash guard as follows. When the appliance is placed on the floor, the accessory does not contact the floor first, and the gap between the bottom of the accessory and the tip of the splash guard bristles is 0 - 7 mm (0" - 1/4").



A representative battery applicable to this appliance.



Only for EU countries
Due to the presence of hazardous components in the equipment, waste electrical and electronic equipment, accumulators and batteries may have a negative impact on the environment and human health. Do not dispose of electrical and electronic appliances or batteries with household waste!
In accordance with the European Directive on waste electrical and electronic equipment and on accumulators and batteries and waste accumulators and batteries, as well as their adaptation to national law, waste electrical equipment, batteries and accumulators should be stored separately and delivered to a separate collection point for municipal waste, operating in accordance with the regulations on environmental protection.
This is indicated by the symbol of the crossed-out wheeled bin placed on the equipment.

Intended use

The appliance is intended for cleaning floor. The appliance is suitable for commercial use, for example in hotels, schools, hospitals, factories, shops, offices and rental businesses.

Declarations of Conformity

For European countries only

The Declarations of conformity are included in Annex A to this instruction manual.

Safety warnings

Cordless polisher scrubber safety warnings

⚠ WARNING: Read all safety warnings and all instructions. Failure to follow the warnings and instructions may result in electric shock, fire and/or serious injury.

1. Operators shall be adequately instructed on the use of the polisher scrubber.
2. Only use the accessories provided with the appliance or those specified in the instructions. The use of other accessories may impair

safety.

3. This appliance shall be stored indoors only.

Additional safety warnings

1. Do not operate the appliance in water temperature above 50 °C (122 °F).
2. Install the front handle securely. If the thumb nut is loose, the angle or position of the front handle may slip during use and may cause personal injury.
3. Install the accessory firmly. If the accessory is loosely installed, it may come off when the appliance is lifted or rotation is stopped.
4. Make sure that the accessory does not protrude from the splash guard. If the accessory protrudes, water and cleaning agent may splash or cause postural sway due to reaction force.
5. When replacing the accessory manually or inspecting, make sure to switch off the appliance and remove the battery cartridge.
6. When installing or removing the accessory manually, wear rubber gloves. Depending on the condition of the accessory, cleaning agent may adhere to your skin, which could result in personal injury.
7. When removing the accessory by using the accessory removing button, touch the accessory to the floor and lightly press the appliance. If the accessory does not touch the floor, the accessory cannot be removed because the accessory and adapter of the appliance rotate together.
8. Before pulling the switch trigger, make sure that the mode is not in the accessory removing mode by checking the rotation speed indicator. The accessory may come off.
9. Hold the appliance firmly during operation. Using the appliance without the splash guard or using the appliance at the maximum speed may cause postural sway depending on the condition of the floor.
10. When not using the splash guard, always tighten two levers. Brush and/or pad may rotate unsteady and cause personal injury.
11. Never throw water over the head of the appliance. If water enters the vents, it may cause breakdown and electric shock.

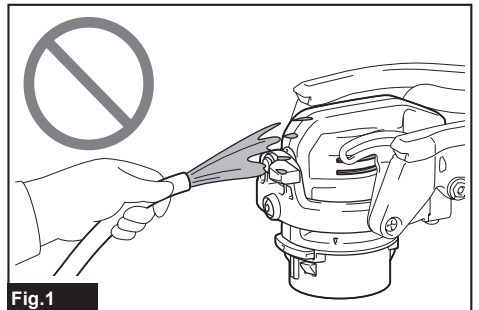


Fig.1

12. Do not lean on the appliance. The appliance may fall down.

13. **Do not work in an improper position.** It may cause personal injury.
14. **Wear protective equipment such as a mask, glasses, rubber gloves, boots, long-sleeved shirt and long pants to avoid exposing your skin during work.** Touching cleaning agent directly may cause personal injury. If the cleaning agent gets into your eyes or adheres to your skin, rinse with clean water and seek medical attention if necessary.
15. **Ventilate your work area well during operation.**
16. **Do not use the appliance in an area with gasoline and thinner.**
17. **Use commercially available floor care cleaning agent appropriate for the floor material.**
18. **Some floor care cleaning agent is strong and may deteriorate the appliance. Read the instructions for the cleaning agent and make sure it does not affect the appliance before use.**
19. **Do not let the battery cartridge contact with chemical liquid such as cleaning agent or solvent.** Doing so may damage the battery case and result in fire or electric shock.
20. **Use an appropriate amount of cleaning agent.** It may splash depending on the rotation speed of the appliance.
21. **Make sure to close the battery cover.** If cleaning agent adheres to the battery cartridge, it may be damaged and you may get an electric shock.
22. **When storing the appliance, remove all accessories and store the appliance in a stable state.** If you lean the appliance against the wall with the brush installed, the appliance may fall and cause personal injury.
23. **After using cleaning agent, wipe the appliance and wash out the accessory.** Cleaning agent may deteriorate the appliance.
6. **Under abusive conditions, liquid may be ejected from the battery; avoid contact. If contact accidentally occurs, flush with water.** If liquid contacts eyes, additionally seek medical help. Liquid ejected from the battery may cause irritation or burns.
7. **Do not use a battery pack or appliance that is damaged or modified.** Damaged or modified batteries may exhibit unpredictable behavior resulting in fire, explosion or risk of injury.
8. **Do not expose a battery pack or appliance to fire or excessive temperature.** Exposure to fire or temperature above 130 °C may cause explosion.
9. **Follow all charging instructions and do not charge the battery pack or appliance outside of the temperature range specified in the instructions.** Charging improperly or at temperatures outside of the specified range may damage the battery and increase the risk of fire.
10. **Have servicing performed by a qualified repair person using only identical replacement parts.** This will ensure that the safety of the product is maintained.
11. **Do not modify or attempt to repair the appliance or the battery pack except as indicated in the instructions for use and care.**

Important safety instructions for battery cartridge

Battery tool use and care

1. **Prevent unintentional starting.** Ensure the switch is in the off-position before connecting to battery pack, picking up or carrying the appliance. Carrying the appliance with your finger on the switch or energizing appliance that have the switch on invites accidents.
2. **Disconnect the battery pack from the appliance before making any adjustments, changing accessories, or storing appliance.** Such preventive safety measures reduce the risk of starting the appliance accidentally.
3. **Recharge only with the charger specified by the manufacturer.** A charger that is suitable for one type of battery pack may create a risk of fire when used with another battery pack.
4. **Use appliances only with specifically designated battery packs.** Use of any other battery packs may create a risk of injury and fire.
5. **When battery pack is not in use, keep it away from other metal objects, like paper clips, coins, keys, nails, screws or other small metal objects, that can make a connection from one terminal to another.** Shorting the battery terminals together may cause burns or a fire.
1. **Before using battery cartridge, read all instructions and cautionary markings on (1) battery charger, (2) battery, and (3) product using battery.**
2. **Do not disassemble or tamper with the battery cartridge.** It may result in a fire, excessive heat, or explosion.
3. **If operating time has become excessively shorter, stop operating immediately.** It may result in a risk of overheating, possible burns and even an explosion.
4. **If electrolyte gets into your eyes, rinse them out with clear water and seek medical attention right away.** It may result in loss of your eyesight.
5. **Do not short the battery cartridge:**
 - (1) **Do not touch the terminals with any conductive material.**
 - (2) **Avoid storing battery cartridge in a container with other metal objects such as nails, coins, etc.**
 - (3) **Do not expose battery cartridge to water or rain.**

A battery short can cause a large current flow, overheating, possible burns and even a breakdown.
6. **Do not store and use the tool and battery cartridge in locations where the temperature may reach or exceed 50 °C (122 °F).**
7. **Do not incinerate the battery cartridge even if it is severely damaged or is completely worn out.** The battery cartridge can explode in a fire.
8. **Do not nail, cut, crush, throw, drop the battery cartridge, or hit against a hard object to the**

battery cartridge. Such conduct may result in a fire, excessive heat, or explosion.

9. **Do not use modified or damaged batteries.**
10. **The contained lithium-ion batteries are subject to the Dangerous Goods Legislation requirements.**

For commercial transports e.g. by third parties, forwarding agents, special requirement on packaging and labeling must be observed.

For preparation of the item being shipped, consulting an expert for hazardous material is required. Please also observe possibly more detailed national regulations.

Tape or mask off open contacts and pack up the battery in such a manner that it cannot move around in the packaging.

11. **When disposing the battery cartridge, remove it from the tool and dispose of it in a safe place. Follow your local regulations relating to disposal of battery.**
12. **Use the batteries only with the products specified by Makita.** Installing the batteries to non-compliant products may result in a fire, excessive heat, explosion, or leak of electrolyte.
13. **If the tool is not used for a long period of time, the battery must be removed from the tool.**
14. **During and after use, the battery cartridge may take on heat which can cause burns or low temperature burns. Pay attention to the handling of hot battery cartridges.**
15. **Do not touch the terminal of the tool immediately after use as it may get hot enough to cause burns.**
16. **Do not allow chips, dust, or soil stuck into the terminals, holes, and grooves of the battery cartridge.** It may cause heating, catching fire, burst and malfunction of the tool or battery cartridge, resulting in burns or personal injury.
17. **Unless the tool supports the use near high-voltage electrical power lines, do not use the battery cartridge near high-voltage electrical power lines.** It may result in a malfunction or breakdown of the tool or battery cartridge.
18. **Keep the battery away from children.**

SAVE THESE INSTRUCTIONS.

⚠CAUTION: Only use genuine Makita batteries. Use of non-genuine Makita batteries, or batteries that have been altered, may result in the battery bursting causing fires, personal injury and damage. It will also void the Makita warranty for the Makita tool and charger.

Tips for maintaining maximum battery life

1. Charge the battery cartridge before completely discharged. Always stop tool operation and charge the battery cartridge when you notice less tool power.
2. Never recharge a fully charged battery cartridge. Overcharging shortens the battery service life.
3. Charge the battery cartridge with room temperature at 10 °C - 40 °C (50 °F - 104 °F). Let

a hot battery cartridge cool down before charging it.

4. **When not using the battery cartridge, remove it from the tool or the charger.**
5. **Charge the battery cartridge if you do not use it for a long period (more than six months).**

Noise

The typical A-weighted noise level determined according to EN60335-2-67:

Sound pressure level (L_{pA}): 73 dB (A)

Sound power level (L_{WA}): 88 dB (A)

Uncertainty (K): 3.0 dB (A)

The noise level under working may exceed 80 dB (A).

NOTE: The declared noise emission value(s) has been measured in accordance with a standard test method and may be used for comparing one tool with another.

NOTE: The declared noise emission value(s) may also be used in a preliminary assessment of exposure.

⚠WARNING: Wear ear protection.

⚠WARNING: The noise emission during actual use of the power tool can differ from the declared value(s) depending on the ways in which the tool is used especially what kind of workpiece is processed.

⚠WARNING: Be sure to identify safety measures to protect the operator that are based on an estimation of exposure in the actual conditions of use (taking account of all parts of the operating cycle such as the times when the tool is switched off and when it is running idle in addition to the trigger time).

Vibration

The vibration total value (tri-axial vector sum) determined according to EN60335-2-67:

Vibration emission (a_h): 2.5 m/s² or less

Uncertainty (K): 1.5 m/s²

NOTE: The declared vibration total value(s) has been measured in accordance with a standard test method and may be used for comparing one tool with another.

NOTE: The declared vibration total value(s) may also be used in a preliminary assessment of exposure.

⚠WARNING: The vibration emission during actual use of the power tool can differ from the declared value(s) depending on the ways in which the tool is used especially what kind of workpiece is processed.

⚠WARNING: Be sure to identify safety measures to protect the operator that are based on an estimation of exposure in the actual conditions of use (taking account of all parts of the operating cycle such as the times when the tool is switched off and when it is running idle in addition to the trigger time).

Names of parts

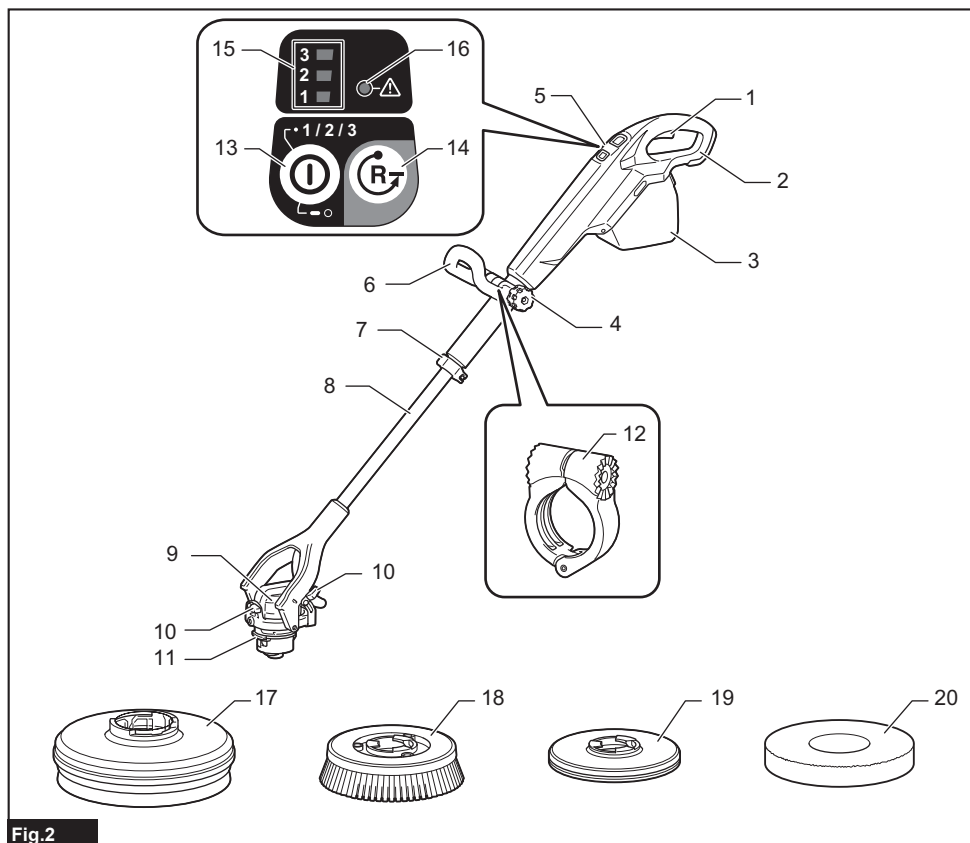


Fig.2

1	Switch trigger	2	Handle	3	Battery cover	4	Thumb nut
5	Control panel	6	Front handle	7	Lever (for fixing extension pole)	8	Extension pole
9	Head	10	Lever (for fixing head) (2 places)	11	Splash guard removing button	12	Handle base
13	Main power button	14	Accessory removing button	15	Rotation speed indicator	16	Caution lamp
17	Splash guard	18	Medium brush	19	Pad holder	20	Pad

PREPARATIONS FOR USE

Accessories

CAUTION: Always use accessories specified by Makita.

Combine and use accessories depending on your uses or environment.

Brush

CAUTION: The brush may damage flooring. Confirm the instruction manual of flooring before operation.

Brush cleaning is suitable for following operation.

- Cleaning of general interior flooring

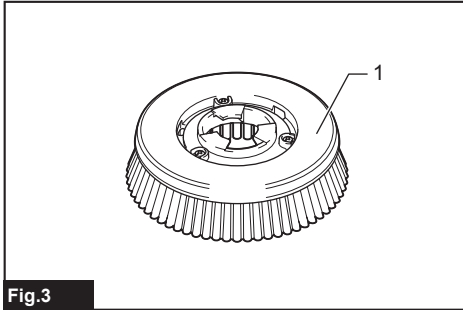


Fig.3

- 1. Medium brush

Pad holder/Pad

Pad is suitable for following operation. Select a pad depending on your work.

- Surface polishing
- Washing

When using a pad for the first time, remove the center of the pad along a cutline before use. Removed center part of the pad can be used as a hand pad.

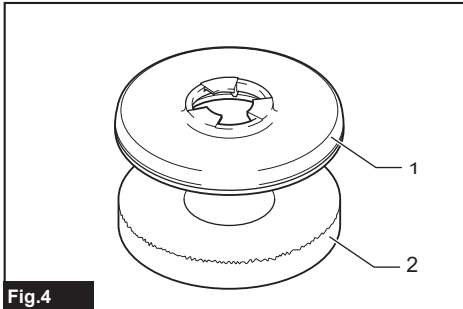


Fig.4

- 1. Pad holder 2. Pad

NOTE: For more details of accessories, refer to the catalog or contact the dealer or our sales office.

Assembly

CAUTION: Before operating the appliance, make sure that the appliance is switched off and the battery cartridge is removed.

CAUTION: Wear protective equipment such as a mask, glasses, rubber gloves, boots, long sleeves and long pants to avoid exposing your skin during work. Touching cleaning agent directly may cause personal injury. If cleaning agent gets into your eyes or adheres to your skin, wash out with water.

Installing and removing splash guard

Using the splash guard with the brush or pad prevents water or cleaning agent from splashing.

With the splash guard installed on the head and the also levers loosened, you can reduce swaying and move steadily toward your destination.

NOTE: You can use the appliance without the splash guard when cleaning baseboards and other wall edges, tiled-floor joints, or grooves. When using the appliance without the splash guard, always lock the head of the appliance with levers.

Installing

Engage the protrusions of the head and a groove of the splash guard until they click.

Make sure that the splash guard does not come off.

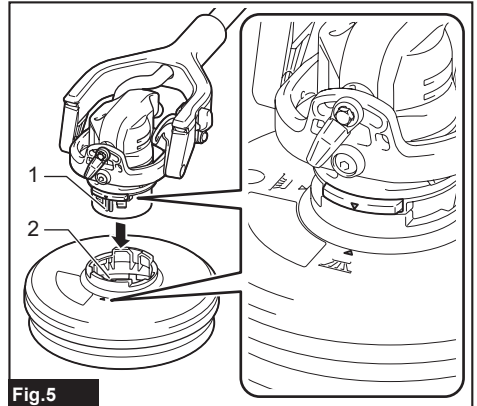


Fig.5

- 1. Protrusion 2. Groove 3. Splash guard

The splash guard is available in two heights, depending on wear of the accessory. Adjust the height of the splash guard as follows. When the appliance is placed on the floor, the accessory does not contact the floor first, and the gap between the bottom of the accessory and the tip of the splash guard bristles is 0 - 7 mm (0" - 1/4").

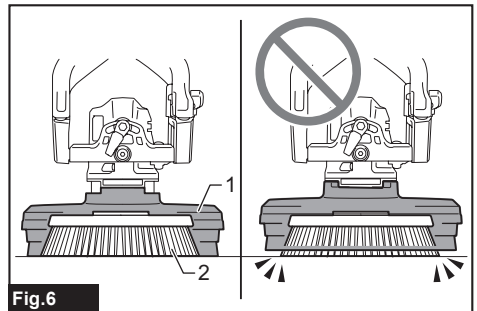


Fig.6

- 1. Splash guard 2. Accessory

CAUTION: If the accessory protrudes from the splash guard, water and cleaning agent may splash or cause postural sway due to reaction force.

Removing

NOTICE: Remove the accessory before removing the splash guard.

Press the splash guard removing button.
The splash guard will come off from the appliance.

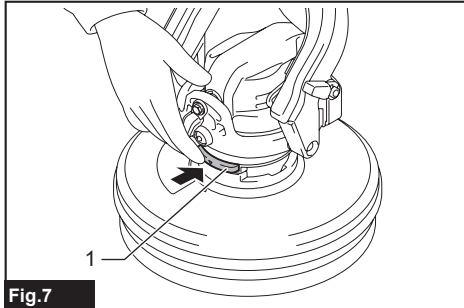


Fig.7

► 1. Splash guard removing button

Installing and removing accessory

CAUTION: When installing and removing the accessory manually, always switch off the appliance and remove the battery cartridge.

When using the splash guard, you can install the accessory by switch operation.

When not using the splash guard, manual installation is recommended.

When removing the accessory, you can select either switch operation or manual operation regardless of whether the splash guard is installed or not.

NOTE: When using the pad, attach the pad to the pad holder before installing them to the appliance.

Installing

When using the splash guard

1. Loosen the two levers (for fixing head).
The head will be unfixed.

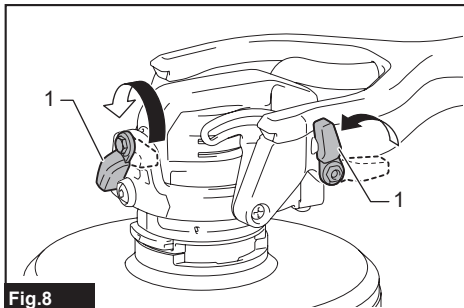


Fig.8

► 1. Lever

2. Install the splash guard. (Refer to page 7.)
3. Install the battery cartridge. (Refer to page 11.)
4. Turn on the main power button. (Refer to page 12.)

5. Align the adapter of the head and center of the accessory.

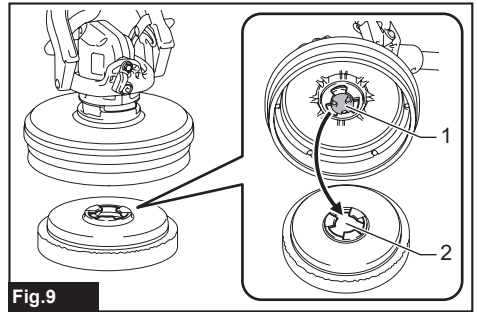


Fig.9

► 1. Adapter 2. Center

6. Press the appliance lightly to the floor and briefly pull the switch trigger.

The accessory will be installed to the head.

Make sure that the accessory does not come off.

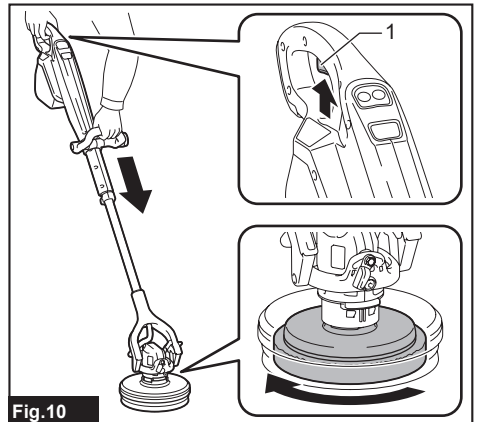


Fig.10

► 1. Switch trigger

When installing the accessory manually, turn the accessory quickly in the direction indicated by the arrow.

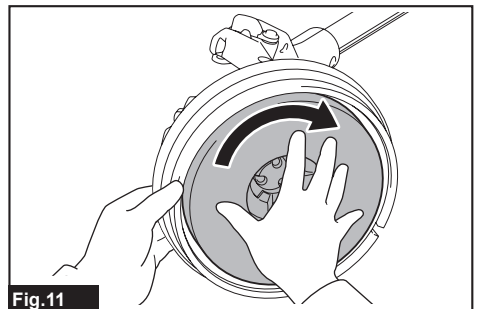


Fig.11

NOTE: After manual installation, perform step 3, 4 and 6. Otherwise, the accessory may not be installed securely and come off unintentionally.

When not using the splash guard

1. Tightened the two levers (for fixing head).

The head will be fixed.

2. Align the protrusions of the head to the guides of the accessory.

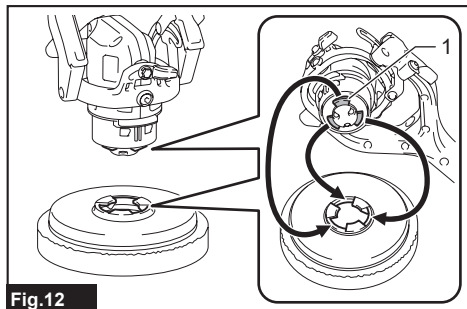


Fig.12

- ▶ 1. Protrusion

3. Turn the accessory quickly in the direction indicated by the arrow.

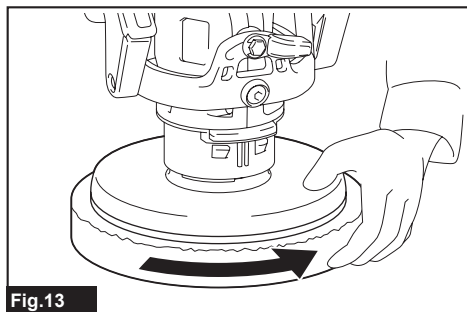


Fig.13

NOTE: After manual installation, perform steps 3, 4 and 6 in the section of "When using the splash guard" to install the accessory firmly. Otherwise, the accessory may not be installed securely and come off unintentionally.

Removing

1. When the splash guard is not in use, make sure the levers (for fixing head) are tightened.

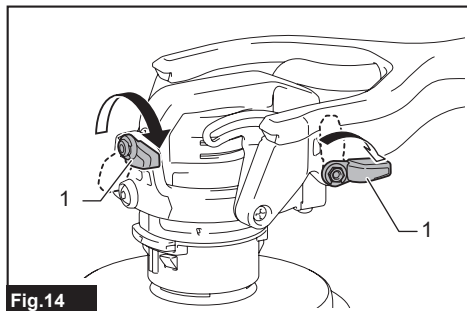


Fig.14

- ▶ 1. Lever

2. Install the battery cartridge. (Refer to page 11.)

3. Turn on the main power button. (Refer to page 12.)
4. Press the accessory removing button on the control panel. All lamps of the rotation speed indicator will be blinking.

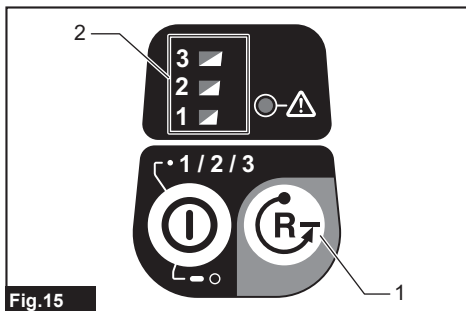


Fig.15

- ▶ 1. Accessory removing button 2. Rotation speed indicator

5. Press the appliance lightly to the floor and pull the switch trigger.

The accessory will be removed. If the accessory slips on the floor and cannot be removed, press the appliance harder to the floor and try the same operation again, or remove it manually.

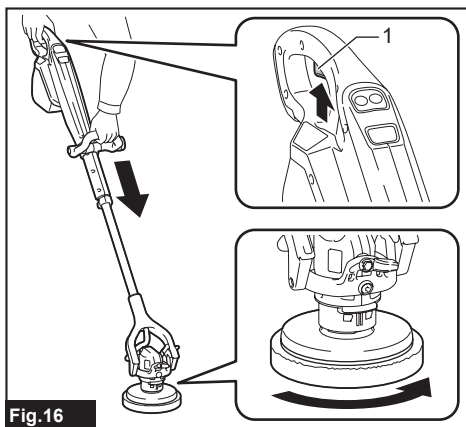


Fig.16

- ▶ 1. Switch trigger

You can remove the accessory manually. Turn the accessory quickly in the direction indicated by the arrow.

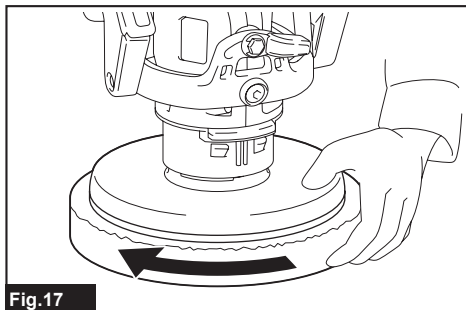


Fig.17

NOTE: If you turn the accessory slowly, the adapter of the appliance will also rotate, so the accessory cannot be removed.

Battery status

Indicating the remaining battery capacity

Press the check button on the battery cartridge to indicate the remaining battery capacity. The indicator lamps light up for a few seconds.

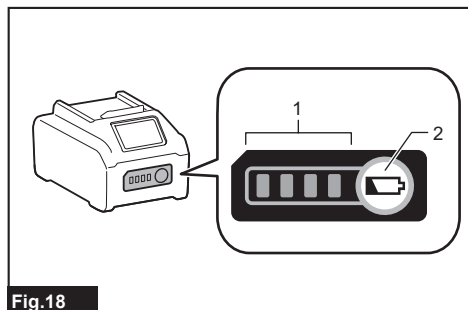


Fig.18

► 1. Indicator lamps 2. Check button

Indicator lamps			Remaining capacity
Lighted	Off	Blinking	
■ ■ ■ ■			75% to 100%
■ ■ ■ □			50% to 75%
■ ■ □ □			25% to 50%
■ □ □ □			0% to 25%
◻ □ □ □	◻ □ □ □		Charge the battery.
◻ □ □ □	◻ □ □ □	◻ □ □ □	The battery may have malfunctioned.
	↑ ↓	■ ■ ■ ■	

NOTE: Depending on the conditions of use and the ambient temperature, the indication may differ slightly from the actual capacity.

NOTE: The first (far left) indicator lamp will blink when the battery protection system works.

Things to know before use

Work environment

If there are large or string-like refuse in the cleaning area, remove them before operation.



Fig.19

CAUTION: Never use the appliance under water.

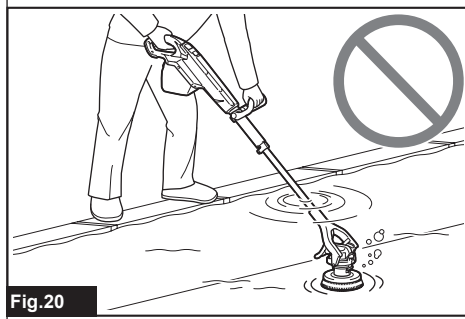


Fig.20

Protection function

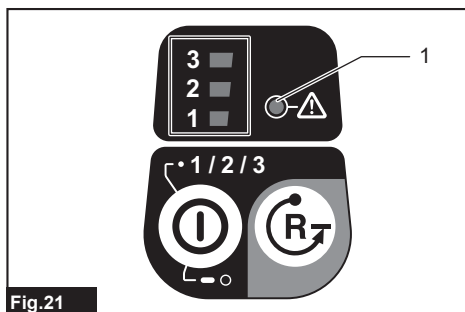


Fig.21

► 1. Caution lamp

Caution lamp		Status
Color	● On ◻ Blinking	
Green	◻	Overload
Red	●	Overheat
Red	●	Overdischarge

Overload protection

When the appliance is operated in a manner that causes it to draw an abnormally high current, the appliance automatically stops and the caution lamp blinks in green. In this situation, turn the appliance off and remove the battery cartridge to eliminate the cause of the overload. Then turn the appliance on to restart.

NOTE: Some combinations of floor conditions and accessories are more likely to occur overload protection. In this case, change the type of the accessory or use the appliance at lower rotation speed.

Overheat protection

When the appliance is overheated, the appliance automatically stops and the caution lamp lights in red and also front lamp blinks at the same time. When the battery is overheated, the appliance automatically stops and the caution lamp lights in red. In this case, switch off and remove the battery cartridge, then let the appliance and the battery cartridge cool.

Overdischarge protection

When the battery capacity is not enough, the appliance automatically stops and the caution lamp lights in red. In this case, remove the battery cartridge from the appliance and recharge or replace with a fully charged battery cartridge.

NOTE: When the remaining battery capacity is low, the caution lamp blinks before working the overdischarge protection. However, depending on the operating conditions, the appliance may stop without the caution lamp blinking.

Protections against other causes

Protection system is also designed for other causes that could damage the appliance and allows the appliance to stop automatically. Take all the following steps to clear the causes, when the appliance has been brought to a temporary halt or stop in operation.

1. Turn the appliance off, and then turn it on again to restart.
2. Charge the battery(ies) or replace it/them with recharged battery(ies).
3. Let the appliance and battery(ies) cool down.

If no improvement can be found by restoring protection system, then contact your local Makita Service Center.

Electronic function

Soft start feature

When pulling the switch trigger, reduces the starting reaction and rotates the accessory smoothly.

Constant speed control

Maintain constant speed under load condition. Possible to get high working performance.

Restart prevention

When turning on the main power button while the switch trigger is pulled, the caution lamp blinks in green and the tool does not start. To start the tool, release the switch trigger, and pull it again after the caution lamp turns off and the rotation speed indicator lights.

USAGE

Installing and removing battery cartridge

⚠WARNING: Always switch off the appliance before installing or removing of the battery cartridge. If install the battery cartridge with the appliance is on, it may cause an accident.

⚠WARNING: Always install the battery cartridge fully until the red indicator cannot be seen. If not, it may accidentally fall out of the tool, causing injury to you or someone around you.

⚠CAUTION: Do not use battery adapter. If the battery adapter is installed, the battery cover dose not close and cause personal injury.

Installing

1. Open the battery cover while pressing the button.

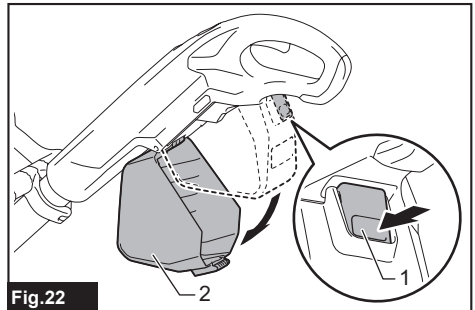


Fig.22

- ▶ 1. Button 2. Battery cover

2. Align the tongue on the battery cartridge with the groove in the housing and slip it into place. Insert it all the way until it locks in place with a little click. If you can see the red indicator as shown in the figure, it is not locked completely.

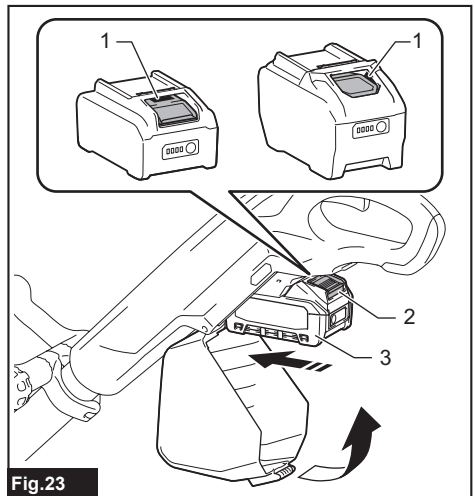


Fig.23

- ▶ 1. Red indicator 2. Button 3. Battery cartridge

3. Close the battery cover firmly.

Removing

1. Open the battery cover while pressing the button.
2. Slide the battery cartridge from the tool while sliding the button on the front of the battery cartridge.

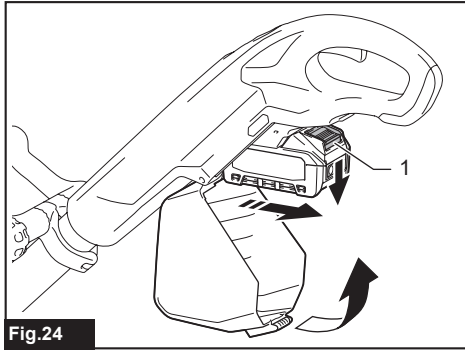


Fig.24

- ▶ 1. Button

3. Close the battery cover firmly.

NOTICE: Be careful not to get your fingers caught when opening and closing the battery cover.

Operating the appliance

Install the accessory before use.

Adjusting extension pole

CAUTION: Be careful not to get your fingers caught when adjusting the extension pole.

CAUTION: Do not extend the extension pole beyond the limit. Failure to do so may cause a malfunction of the appliance.

1. Loosen the lever (for fixing extension pole).

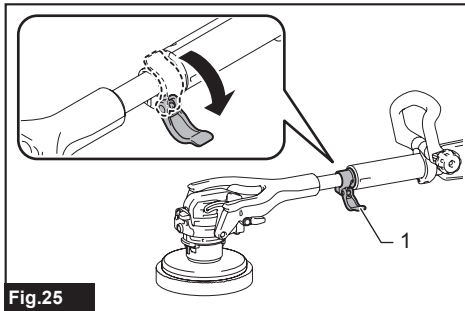


Fig.25

- ▶ 1. Lever

2. Adjust the extension pole to the desired length.

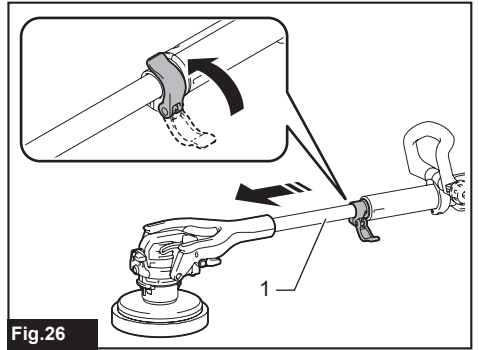


Fig.26

- ▶ 1. Extension pole

3. Tighten the lever.

Adjusting front handle

1. Loosen the thumb nut.

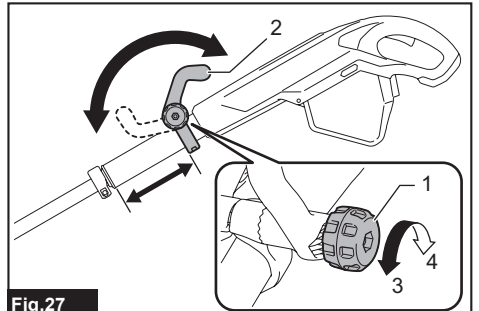


Fig.27

- ▶ 1. Thumb nut 2. Front handle 3. Loosen 4. Tighten

2. Adjust the position and angle of the front handle.

3. Tighten the thumb nut.

Turning main power button ON/OFF

Turning on

Press the main power button.

The switch turns on and rotation speed indicator lights in green.

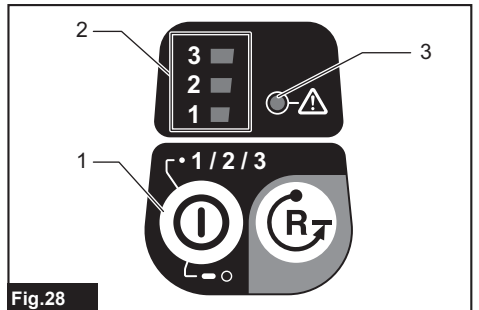


Fig.28

- ▶ 1. Main power button 2. Rotation speed indicator 3. Caution lamp

Turning off

Press and hold the main power button.

The switch turns off and the rotation speed indicator goes off.

NOTE: The power automatically turns off a preset time after without any operation.

In the accessory removing mode, the power turns off earlier than in the normal mode.

Changing rotation speed/mode

- Normal mode
You can change the rotation speed in three levels: low, medium and high.
— The rotation speed changes each time you press the main power button.

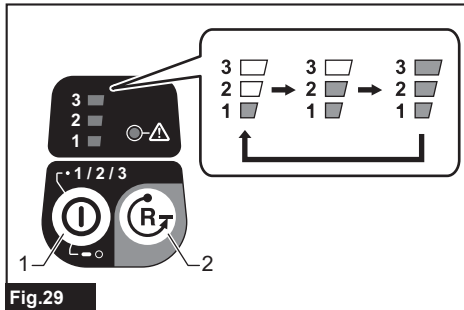


Fig.29

- 1. Main power button 2. Accessory removing button

Speed indicator	Mode	Rotation speed (min ⁻¹ /min)
3 2 1	High	600
3 2 1	Medium	350
3 2 1	Low	150

- Accessory removing mode
You can remove the accessory by switch operation.
— Press the accessory removing button again to return to the normal mode.

Switch action

WARNING: Before installing the battery cartridge into the tool, always check to see that the switch trigger actuates properly and returns to the "OFF" position when released.

1. Pull the switch trigger.

Motor will rotate.

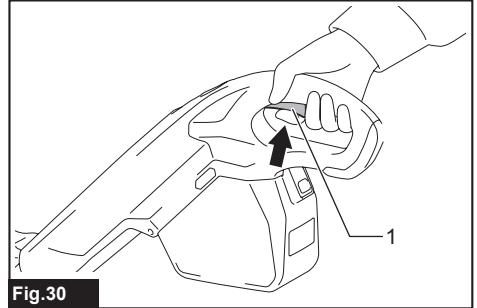


Fig.30

- 1. Switch trigger

2. Release the switch trigger.

Motor will stop.

Lighting up the front lamps

CAUTION: Do not look in the light or see the source of light directly.

1. Pull the switch trigger when the main power switch is on.

Motor will rotate and lamps will light up.

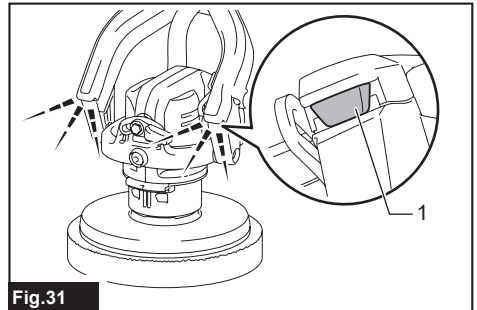


Fig.31

- 1. Front lamp

2. Lamps will go off in the following state.

- When main power button is turned off
- Several seconds after releasing the switch trigger

NOTE: Use a dry cloth to wipe the dirt off the lens of the lamp. Be careful not to scratch the lens of the lamp, or it may lower the illumination.

Cleaning operation

Cleaning wall edges/tiled-floor joints

For more efficient cleaning, use the appliance with the head of the appliance fixed and without the splash guard.

Cleaning wall edges and baseboards



Fig.32

Cleaning tiled-floor joints and grooves

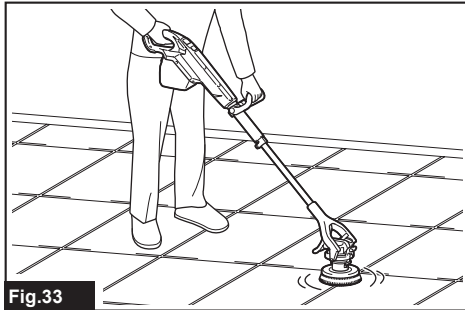


Fig.33

NOTICE: Hold the appliance firmly. Using the appliance without the splash guard may cause postural sway due to reaction force.

Prevent water and cleaning agent from splashing/reduce swaying and operate steadily

With the splash guard installed on the head and the levers loosened, it prevents water and cleaning agent from splashing and you can reduce swaying and move steadily toward your destination.

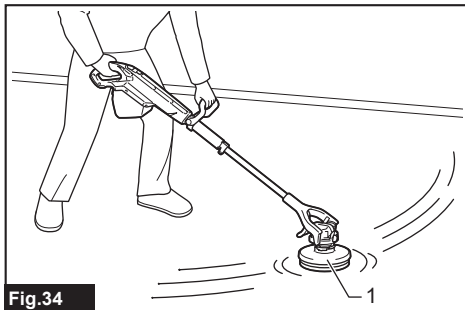


Fig.34

► 1. Splash guard

Handling after use

CAUTION: If the appliance will not be in use, make sure the appliance is switched off and the battery cartridge is removed.

Accessory

Wash out the accessory and dry in the shade.

Head of the appliance

NOTICE: Never throw water over the head of the appliance. Water entering the vents may cause breakdown and electric shock.

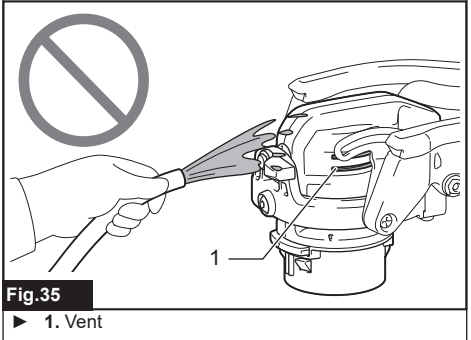


Fig.35

► 1. Vent

Wipe off any cleaning agent that has adhered to the head of the appliance with a cloth wrung out of in water.

Storage

When storing the appliance, always remove all accessories.

NOTICE: Storing the appliance with the brush installed may cause the brush bristles to bend.

MAINTENANCE/ INSPECTION

CAUTION: Always be sure that the appliance is switched off and the battery cartridge is removed before attempting to perform inspection or maintenance.

NOTICE: Never use gasoline, benzine, thinner, alcohol or the like. Discoloration, deformation or cracks may result.

Maintenance

When the lever of the extension pole comes loose

CAUTION: Adjust the screw with the lever tightened.

CAUTION: Do not overtighten the screws. Doing so may damage the screw.

Using the lever (for fixing extension pole) repeatedly may cause the lever to loosen. In this case, tighten the screw with a screwdriver.

After adjusting the screw, make sure that the extension pole does not slip when the lever is tightened and moves smoothly when the lever is loosened.

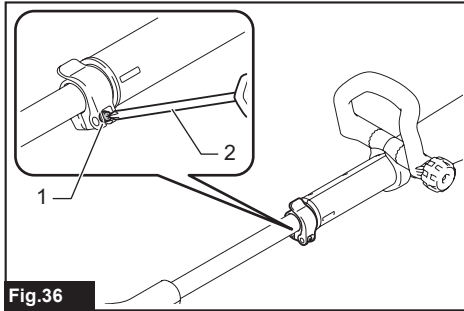


Fig.36

► 1. Screw 2. Screw driver

Periodic inspections

To ensure a long service life for the appliance and safety usage, perform the inspections.

- **Before operation: inspect the following items.**
Body of the appliance, splash guard, brush, pad holder, pad, battery cartridge
- **After operation: clean the following items.**
Body of the appliance, splash guard, brush, pad holder, pad

Replacement of consumable items

Brush/pad replacement

Use the brush and pad so that the brush base and pad holder does not touch the floor surface. When they are worn out, refer to the following for replacement.

- Pad thickness: 10 mm (3/8") or less
 - Bristles height: 20 mm (3/4") or less
- See "Installing and removing accessory" for replacement.

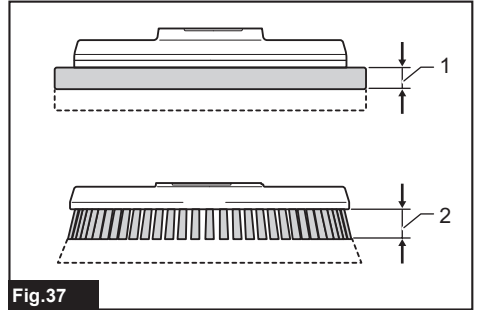


Fig.37

► 1. 10 mm (3/8") or less 2. 20 mm (3/4") or less

OPTIONAL ACCESSORIES

CAUTION: These accessories or attachments are recommended for use with your Makita tool specified in this manual. The use of any other accessories or attachments might present a risk of injury to persons. Only use accessory or attachment for its stated purpose.

For details of separately sold items, refer to the catalog or contact the dealer or our sales office.

- Brush
- Pad
- Accessory bag
- Makita genuine battery and charger

NOTE: Some items in the list may be included in the tool package as standard accessories. They may differ from country to country.

Makita Europe N.V.

Jan-Baptist Vinkstraat 2, 3070 Kortenberg, Belgium

Makita Corporation

3-11-8, Sumiyoshi-cho, Anjo, Aichi 446-8502 Japan

www.makita.com



885A86-225
EN
20240820