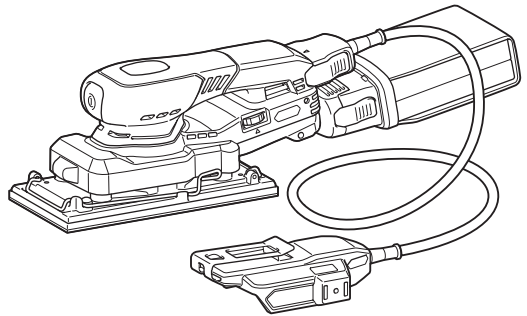


INSTRUCTION MANUAL



# Battery Powered Orbital Sander BO007CG



Read before use.

# SPECIFICATIONS

<b>Model:</b>		<b>BO007CG</b>
Abrasive paper	For hook-and-loop fastener type	93 mm x 185 mm
	For clamp type	93 mm x 228 mm
Orbits per minute		6,000 - 12,000 min <sup>-1</sup>
Orbits diameter		2.0 mm
Overall length		263 mm
Rated voltage		D.C. 36 V - 40 V max
Net weight *1		1.1 kg

- Due to our continuing program of research and development, the specifications herein are subject to change without notice.
- Specifications may differ from country to country.
- The weight according to EPTA-Procedure 01/2014 is shown in the table.

\*1: Weight without any accessories or battery cartridge(s)

## Applicable battery cartridge and charger

Battery cartridge	BL4020* / BL4025* / BL4040* / BL4040F* / BL4050F / BL4080F *: Recommended battery
Charger	DC40RA / DC40RB / DC40RC / DC40WA

- Some of the battery cartridges and chargers listed above may not be available depending on your region of residence.

**⚠ WARNING: Only use the battery cartridges and chargers listed above.** Use of any other battery cartridges and chargers may cause injury and/or fire.






## Recommended cord connected power source

Portable power pack	PDC01 / PDC1200 / PDC1500
---------------------	---------------------------

- The cord connected power source(s) listed above may not be available depending on your region of residence.
- Before using the cord connected power source, read instruction and cautionary markings on them.

## Symbols

The followings show the symbols which may be used for the equipment. Be sure that you understand their meaning before use.

	Read instruction manual.
	Wear eye protection.
	Take particular care and attention.
	To reduce the risk of injury, keep the cord away from obstacles.
	Do not abuse the cord. Damaged cord increases the risk of injury.



Only for EU countries  
Due to the presence of hazardous components in the equipment, waste electrical and electronic equipment, accumulators and batteries may have a negative impact on the environment and human health. Do not dispose of electrical and electronic appliances or batteries with household waste!

In accordance with the European Directive on waste electrical and electronic equipment and on accumulators and batteries and waste accumulators and batteries, as well as their adaptation to national law, waste electrical equipment, batteries and accumulators should be stored separately and delivered to a separate collection point for municipal waste, operating in accordance with the regulations on environmental protection. This is indicated by the symbol of the crossed-out wheeled bin placed on the equipment.

## Intended use

The tool is intended for the sanding of large surface of wood, plastic and metal materials as well as painted surfaces.

## Noise

The typical A-weighted noise level determined according to EN62841-2-4:

Sound pressure level ( $L_{pA}$ ) : 77 dB (A)

Uncertainty (K) : 3 dB (A)

The noise level under working may exceed 80 dB (A).

**NOTE:** The declared noise emission value(s) has been measured in accordance with a standard test method and may be used for comparing one tool with another.

**NOTE:** The declared noise emission value(s) may also be used in a preliminary assessment of exposure.

**⚠WARNING:** Wear ear protection.

**⚠WARNING:** The noise emission during actual use of the power tool can differ from the declared value(s) depending on the ways in which the tool is used especially what kind of workpiece is processed.

**⚠WARNING:** Be sure to identify safety measures to protect the operator that are based on an estimation of exposure in the actual conditions of use (taking account of all parts of the operating cycle such as the times when the tool is switched off and when it is running idle in addition to the trigger time).

## Vibration

The vibration total value (tri-axial vector sum) determined according to EN62841-2-4:

Work mode: sanding metal plate

Vibration emission ( $a_n$ ) : 3.1 m/s<sup>2</sup>

Uncertainty (K) : 1.5 m/s<sup>2</sup>

**NOTE:** The declared vibration total value(s) has been measured in accordance with a standard test method and may be used for comparing one tool with another.

**NOTE:** The declared vibration total value(s) may also be used in a preliminary assessment of exposure.

**⚠WARNING:** The vibration emission during actual use of the power tool can differ from the declared value(s) depending on the ways in which the tool is used especially what kind of workpiece is processed.

**⚠WARNING:** Be sure to identify safety measures to protect the operator that are based on an estimation of exposure in the actual conditions of use (taking account of all parts of the operating cycle such as the times when the tool is switched off and when it is running idle in addition to the trigger time).

## Declarations of Conformity

### For European countries only

The Declarations of conformity are included in Annex A to this instruction manual.

# SAFETY WARNINGS

## General power tool safety warnings

**⚠WARNING** Read all safety warnings, instructions, illustrations and specifications provided with this power tool. Failure to follow all instructions listed below may result in electric shock, fire and/or serious injury.

## Save all warnings and instructions for future reference.

The term "power tool" in the warnings refers to your mains-operated (corded) power tool or battery-operated (cordless) power tool.

### Work area safety

1. **Keep work area clean and well lit.** Cluttered or dark areas invite accidents.
2. **Do not operate power tools in explosive atmospheres, such as in the presence of flammable liquids, gases or dust.** Power tools create sparks which may ignite the dust or fumes.
3. **Keep children and bystanders away while operating a power tool.** Distractions can cause you to lose control.

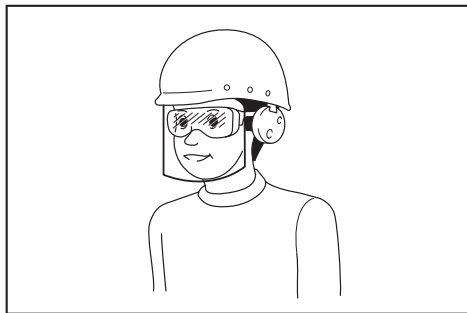
### Electrical safety

1. **Power tool plugs must match the outlet. Never modify the plug in any way. Do not use any adapter plugs with earthed (grounded) power tools.** Unmodified plugs and matching outlets will reduce risk of electric shock.
2. **Avoid body contact with earthed or grounded surfaces, such as pipes, radiators, ranges and refrigerators.** There is an increased risk of electric shock if your body is earthed or grounded.
3. **Do not expose power tools to rain or wet conditions.** Water entering a power tool will increase the risk of electric shock.
4. **Do not abuse the cord. Never use the cord for carrying, pulling or unplugging the power tool. Keep cord away from heat, oil, sharp edges or moving parts.** Damaged or entangled cords increase the risk of electric shock.
5. **When operating a power tool outdoors, use an extension cord suitable for outdoor use.** Use of a cord suitable for outdoor use reduces the risk of electric shock.
6. **If operating a power tool in a damp location is unavoidable, use a residual current device (RCD) protected supply.** Use of an RCD reduces the risk of electric shock.
7. **Power tools can produce electromagnetic fields (EMF) that are not harmful to the user.** However, users of pacemakers and other similar medical devices should contact the maker of their device and/or doctor for advice before operating this power tool.

### Personal safety

1. **Stay alert, watch what you are doing and use common sense when operating a power tool. Do not use a power tool while you are tired or under the influence of drugs, alcohol or**

- medication.** A moment of inattention while operating power tools may result in serious personal injury.
2. **Use personal protective equipment. Always wear eye protection.** Protective equipment such as a dust mask, non-skid safety shoes, hard hat or hearing protection used for appropriate conditions will reduce personal injuries.
  3. **Prevent unintentional starting. Ensure the switch is in the off-position before connecting to power source and/or battery pack, picking up or carrying the tool.** Carrying power tools with your finger on the switch or energising power tools that have the switch on invites accidents.
  4. **Remove any adjusting key or wrench before turning the power tool on.** A wrench or a key left attached to a rotating part of the power tool may result in personal injury.
  5. **Do not overreach. Keep proper footing and balance at all times.** This enables better control of the power tool in unexpected situations.
  6. **Dress properly. Do not wear loose clothing or jewellery. Keep your hair and clothing away from moving parts.** Loose clothes, jewellery or long hair can be caught in moving parts.
  7. **If devices are provided for the connection of dust extraction and collection facilities, ensure these are connected and properly used.** Use of dust collection can reduce dust-related hazards.
  8. **Do not let familiarity gained from frequent use of tools allow you to become complacent and ignore tool safety principles.** A careless action can cause severe injury within a fraction of a second.
  9. **Always wear protective goggles to protect your eyes from injury when using power tools. The goggles must comply with ANSI Z87.1 in the USA, EN 166 in Europe, or AS/NZS 1336 in Australia/New Zealand. In Australia/New Zealand, it is legally required to wear a face shield to protect your face, too.**



It is an employer's responsibility to enforce the use of appropriate safety protective equipments by the tool operators and by other persons in the immediate working area.

#### Power tool use and care

1. **Do not force the power tool. Use the correct power tool for your application.** The correct power tool will do the job better and safer at the rate for which it was designed.
2. **Do not use the power tool if the switch does not turn it on and off.** Any power tool that cannot be controlled with the switch is dangerous and must be repaired.
3. **Disconnect the plug from the power source and/or remove the battery pack, if detachable, from the power tool before making any adjustments, changing accessories, or storing power tools.** Such preventive safety measures reduce the risk of starting the power tool accidentally.
4. **Store idle power tools out of the reach of children and do not allow persons unfamiliar with the power tool or these instructions to operate the power tool.** Power tools are dangerous in the hands of untrained users.
5. **Maintain power tools and accessories. Check for misalignment or binding of moving parts, breakage of parts and any other condition that may affect the power tool's operation. If damaged, have the power tool repaired before use.** Many accidents are caused by poorly maintained power tools.
6. **Keep cutting tools sharp and clean.** Properly maintained cutting tools with sharp cutting edges are less likely to bind and are easier to control.
7. **Use the power tool, accessories and tool bits etc. in accordance with these instructions, taking into account the working conditions and the work to be performed.** Use of the power tool for operations different from those intended could result in a hazardous situation.
8. **Keep handles and grasping surfaces dry, clean and free from oil and grease.** Slippery handles and grasping surfaces do not allow for safe handling and control of the tool in unexpected situations.
9. **When using the tool, do not wear cloth work gloves which may be entangled.** The entanglement of cloth work gloves in the moving parts may result in personal injury.

#### Battery tool use and care

1. **Recharge only with the charger specified by the manufacturer.** A charger that is suitable for one type of battery pack may create a risk of fire when used with another battery pack.
2. **Use power tools only with specifically designated battery packs.** Use of any other battery packs may create a risk of injury and fire.
3. **When battery pack is not in use, keep it away from other metal objects, like paper clips, coins, keys, nails, screws or other small metal objects, that can make a connection from one terminal to another.** Shorting the battery terminals together may cause burns or a fire.
4. **Under abusive conditions, liquid may be ejected from the battery; avoid contact. If contact accidentally occurs, flush with water. If liquid contacts eyes, additionally seek medical help.** Liquid ejected from the battery may cause irritation or burns.
5. **Do not use a battery pack or tool that is damaged or modified.** Damaged or modified batteries may exhibit unpredictable behaviour resulting in fire, explosion or risk of injury.

6. **Do not expose a battery pack or tool to fire or excessive temperature.** Exposure to fire or temperature above 130 °C may cause explosion.
7. **Follow all charging instructions and do not charge the battery pack or tool outside the temperature range specified in the instructions.** Charging improperly or at temperatures outside the specified range may damage the battery and increase the risk of fire.

#### Service

1. **Have your power tool serviced by a qualified repair person using only identical replacement parts.** This will ensure that the safety of the power tool is maintained.
2. **Never service damaged battery packs.** Service of battery packs should only be performed by the manufacturer or authorized service providers.
3. **Follow instruction for lubricating and changing accessories.**

### Sander safety warnings

1. **Always use safety glasses or goggles.** Ordinary eye or sun glasses are NOT safety glasses.
2. **Hold the tool firmly.**
3. **Do not leave the tool running. Operate the tool only when hand-held.**
4. **This tool has not been waterproofed, so do not use water on the workpiece surface.**
5. **Ventilate your work area adequately when you perform sanding operations.**
6. **Some material contains chemicals which may be toxic. Take caution to prevent dust inhalation and skin contact. Follow material supplier safety data.**
7. **Use of this tool to sand some products, paints and wood could expose user to dust containing hazardous substances. Use appropriate respiratory protection.**
8. **Be sure that there are no cracks or breakage on the pad before use. Cracks or breakage may cause a personal injury.**
9. **Watch your footing and maintain your balance with the tool. Make sure there is no one below when working in high locations.** Dropping your tool/machine components from a height may cause serious injuries.
10. **Do not use the accessories which are not recommended by the manufacturer.** The safety of accessories which are not recommended by the manufacturer is not assured even if they can be attached.
11. **Keep your hands and body away from the underside of the tool during use.**

### SAVE THESE INSTRUCTIONS.

**⚠ WARNING: DO NOT** let comfort or familiarity with product (gained from repeated use) replace strict adherence to safety rules for the subject product. MISUSE or failure to follow the safety rules stated in this instruction manual may cause serious personal injury.

### Battery adapter safety warnings

1. **When the cord gets hot, stop using the product and turn the tool/machine off. Allow them to cool before a restart.**
2. **When carrying your tool/machine or leaving your tool/machine unattended, remove the adapter from the tool/machine or unfasten the battery holder from your body, etc.**
  - The cord may be caught on people or obstacles nearby and cause an injury.
  - You may unintentionally pull the tool/machine connected to your body, and it may cause tumble or the tool/machine falling, resulting in injury.
3. **While using the product in high places, always use a safety belt.** Be aware that an accidental drop of the tool/machine may affect your balance and there could be a risk of falling from height.
4. **Do not store or operate this product with the cord twisted.** A damaged or entangled cord may increase the risk of electric shock or fire due to a short circuit in wiring.
5. **Inspect the cord and product components for any anomalies prior to use.** If any anomalies are detected, stop using the product immediately and request a repair at the Makita Authorized or Factory Service Centers.

### Important safety instructions for battery cartridge

1. **Before using battery cartridge, read all instructions and cautionary markings on (1) battery charger, (2) battery, and (3) product using battery.**
2. **Do not disassemble or tamper with the battery cartridge.** It may result in a fire, excessive heat, or explosion.
3. **If operating time has become excessively shorter, stop operating immediately. It may result in a risk of overheating, possible burns and even an explosion.**
4. **If electrolyte gets into your eyes, rinse them out with clear water and seek medical attention right away. It may result in loss of your eyesight.**
5. **Do not short the battery cartridge:**
  - (1) **Do not touch the terminals with any conductive material.**
  - (2) **Avoid storing battery cartridge in a container with other metal objects such as nails, coins, etc.**
  - (3) **Do not expose battery cartridge to water or rain.**

A battery short can cause a large current flow, overheating, possible burns and even a breakdown.
6. **Do not store and use the tool and battery cartridge in locations where the temperature may reach or exceed 50 °C (122 °F).**
7. **Do not incinerate the battery cartridge even if it is severely damaged or is completely worn out. The battery cartridge can explode in a fire.**

8. **Do not nail, cut, crush, throw, drop the battery cartridge, or hit against a hard object to the battery cartridge.** Such conduct may result in a fire, excessive heat, or explosion.
9. **Do not use a damaged battery.**
10. **The contained lithium-ion batteries are subject to the Dangerous Goods Legislation requirements.**  
For commercial transports e.g. by third parties, forwarding agents, special requirement on packaging and labeling must be observed.  
For preparation of the item being shipped, consulting an expert for hazardous material is required. Please also observe possibly more detailed national regulations.  
Tape or mask off open contacts and pack up the battery in such a manner that it cannot move around in the packaging.
11. **When disposing the battery cartridge, remove it from the tool and dispose of it in a safe place. Follow your local regulations relating to disposal of battery.**
12. **Use the batteries only with the products specified by Makita.** Installing the batteries to non-compliant products may result in a fire, excessive heat, explosion, or leak of electrolyte.
13. **If the tool is not used for a long period of time, the battery must be removed from the tool.**
14. **During and after use, the battery cartridge may take on heat which can cause burns or low temperature burns. Pay attention to the handling of hot battery cartridges.**
15. **Do not touch the terminal of the tool immediately after use as it may get hot enough to cause burns.**
16. **Do not allow chips, dust, or soil stuck into the terminals, holes, and grooves of the battery cartridge.** It may cause heating, catching fire, burst and malfunction of the tool or battery cartridge, resulting in burns or personal injury.
17. **Unless the tool supports the use near high-voltage electrical power lines, do not use the battery cartridge near high-voltage electrical power lines.** It may result in a malfunction or breakdown of the tool or battery cartridge.
18. **Keep the battery away from children.**

## SAVE THESE INSTRUCTIONS.

**⚠ CAUTION:** Only use genuine Makita batteries. Use of non-genuine Makita batteries, or batteries that have been altered, may result in the battery bursting causing fires, personal injury and damage. It will also void the Makita warranty for the Makita tool and charger.

## Tips for maintaining maximum battery life

1. **Charge the battery cartridge before completely discharged. Always stop tool operation and charge the battery cartridge when you notice less tool power.**
2. **Never recharge a fully charged battery cartridge. Overcharging shortens the battery service life.**

3. **Charge the battery cartridge with room temperature at 10 °C - 40 °C (50 °F - 104 °F). Let a hot battery cartridge cool down before charging it.**
4. **When not using the battery cartridge, remove it from the tool or the charger.**
5. **Charge the battery cartridge if you do not use it for a long period (more than six months).**

## Important safety instructions for wireless unit

1. **Do not disassemble or tamper with the wireless unit.**
2. **Keep the wireless unit away from young children. If accidentally swallowed, seek medical attention immediately.**
3. **Use the wireless unit only with Makita tools.**
4. **Do not expose the wireless unit to rain or wet conditions.**
5. **Do not use the wireless unit in places where the temperature exceeds 50 °C (122 °F).**
6. **Do not operate the wireless unit in places where medical instruments, such as heart pace makers are nearby.**
7. **Do not operate the wireless unit in places where automated devices are nearby.** If operated, automated devices may develop malfunction or error.
8. **Do not operate the wireless unit in places under high temperature or places where static electricity or electrical noise could be generated.**
9. **The wireless unit can produce electromagnetic fields (EMF) but they are not harmful to the user.**
10. **The wireless unit is an accurate instrument. Be careful not to drop or strike the wireless unit.**
11. **Avoid touching the terminal of the wireless unit with bare hands or metallic materials.**
12. **Always remove the battery on the product when installing the wireless unit into it.**
13. **When opening the lid of the slot, avoid the place where dust and water may come into the slot. Always keep the inlet of the slot clean.**
14. **Always insert the wireless unit in the correct direction.**
15. **Do not press the wireless activation button on the wireless unit too hard and/or press the button with an object with a sharp edge.**
16. **Always close the lid of the slot when operating.**
17. **Do not remove the wireless unit from the slot while the power is being supplied to the tool.** Doing so may cause a malfunction of the wireless unit.
18. **Do not remove the sticker on the wireless unit.**
19. **Do not put any sticker on the wireless unit.**
20. **Do not leave the wireless unit in a place where static electricity or electrical noise could be generated.**
21. **Do not leave the wireless unit in a place subject to high heat, such as a car sitting in the**

sun.

22. Do not leave the wireless unit in a dusty or powdery place or in a place corrosive gas could be generated.
23. Sudden change of the temperature may bedew the wireless unit. Do not use the wireless unit until the dew is completely dried.
24. When cleaning the wireless unit, gently wipe with a dry soft cloth. Do not use benzine, thinner, conductive grease or the like.
25. When storing the wireless unit, keep it in the supplied case or a static-free container.
26. Do not insert any devices other than Makita wireless unit into the slot on the tool.
27. Do not use the tool with the lid of the slot damaged. Water, dust, and dirt come into the slot may cause malfunction.
28. Do not pull and/or twist the lid of the slot more than necessary. Restore the lid if it comes off from the tool.
29. Replace the lid of the slot if it is lost or damaged.

## SAVE THESE INSTRUCTIONS.

## FUNCTIONAL DESCRIPTION

**CAUTION:** Always be sure that the tool is switched off and the battery cartridge is removed before adjusting or checking function on the tool.

### Installing or removing battery cartridge

**CAUTION:** Always switch off the tool before installing or removing of the battery cartridge.

**CAUTION:** Hold the tool and the battery cartridge firmly when installing or removing battery cartridge. Failure to hold the tool and the battery cartridge firmly may cause them to slip off your hands and result in damage to the tool and battery cartridge and a personal injury.

To install the battery cartridge, align the tongue on the battery cartridge with the groove in the housing and slip it into place. Insert it all the way until it locks in place with a little click. If you can see the red indicator as shown in the figure, it is not locked completely.

To remove the battery cartridge, slide it from the tool while sliding the button on the front of the cartridge.

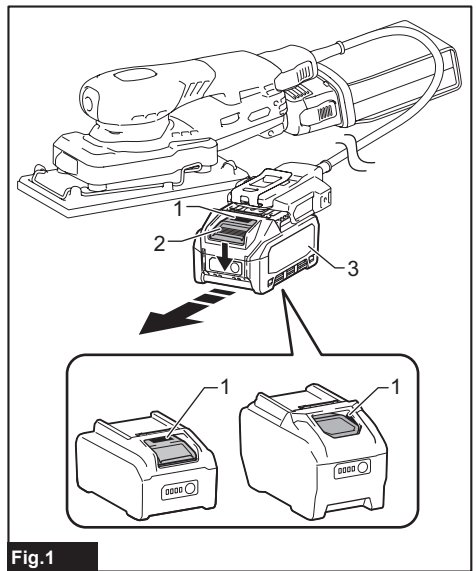


Fig.1

► 1. Red indicator 2. Button 3. Battery cartridge

**CAUTION:** Always install the battery cartridge fully until the red indicator cannot be seen. If not, it may accidentally fall out of the tool, causing injury to you or someone around you.

**CAUTION:** Do not install the battery cartridge forcibly. If the cartridge does not slide in easily, it is not being inserted correctly.

### Indicating the remaining battery capacity

Press the check button on the battery cartridge to indicate the remaining battery capacity. The indicator lamps light up for a few seconds.

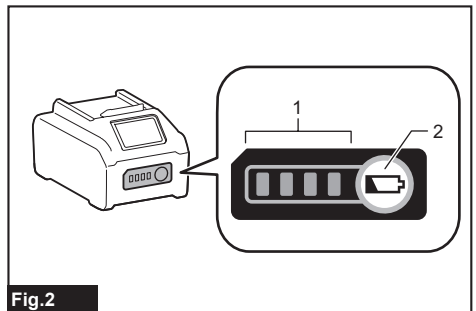


Fig.2

► 1. Indicator lamps 2. Check button

Indicator lamps			Remaining capacity
Lighted	Off	Blinking	
■	□	▧	75% to 100%
■ ■ ■ ■			
■ ■ ■	□		50% to 75%
■ ■	□ □		25% to 50%
■	□ □ □		0% to 25%
▧	□ □ □		Charge the battery.
■ ■	□ □		The battery may have malfunctioned.
□ □	■ ■	↑ ↓	

**NOTE:** Depending on the conditions of use and the ambient temperature, the indication may differ slightly from the actual capacity.

**NOTE:** The first (far left) indicator lamp will blink when the battery protection system works.

## Switch action

**CAUTION:** Avoid turning the tool on while it is placed on the workpiece or on your workbench. It may cause personal injury or damage.

## Turning the tool on and off

Press the power button to start the tool.  
Press the power button again to stop the tool.

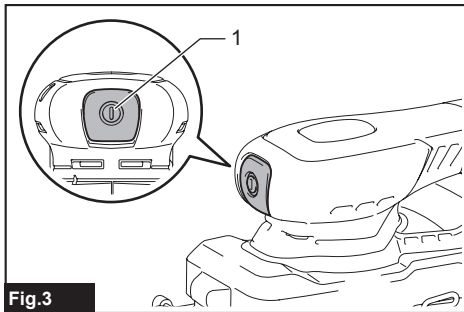


Fig.3

► 1. Power button

## Speed adjusting dial

**NOTICE:** If the tool is operated continuously at low speeds for a long time, the motor will get overloaded, resulting in tool malfunction.

**NOTICE:** The speed adjusting dial can be turned only as far as 5 and back to 1. Do not force it past 5 or 1, or the speed adjusting function may no longer work.

The rotating speed can be changed by turning the speed adjusting dial. Higher speed is obtained when the dial is turned in the direction of number 5. And lower speed is obtained when it is turned in the direction of number 1. Refer to the table for the relationship between the number settings on the dial and the approximate rotating speed.

Number	Orbits per minute
1	6,000
2	6,500
3	9,000
4	11,500
5	12,000

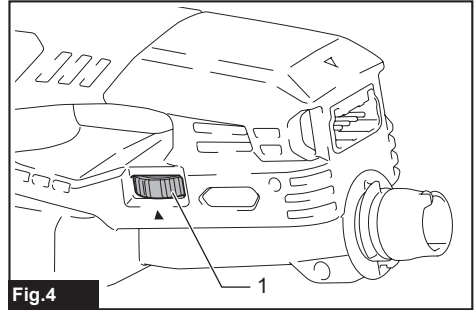


Fig.4

► 1. Speed adjusting dial

## Electronic function

The tool is equipped with following electronic function(s) for easy operation.

### Soft start feature

The soft start feature reduces starting shock.

### Constant speed control

Electronic speed control for obtaining constant speed. This feature enables the fine finish because the tool speed remains constant even under load.

### Electric brake

The electric brake stops the tool quickly for safety and convenient operation.

### Accidental re-start preventive function

When any power source (e.g. the battery cartridge, etc.) is connected to the tool while pressing the power button, the tool does not start.

To start the tool, press the power button again.

## Tool / battery protection system

The tool is equipped with a tool/battery protection system. This system automatically cuts off power to the motor to extend tool and battery life. The tool will automatically stop during operation if the tool or battery is placed under one of the following conditions:



## Overload protection

When the tool or battery is operated in a manner that causes it to draw an abnormally high current, the tool automatically stops without any indication. In this situation, turn the tool off and stop the application that caused the tool to become overloaded. Then turn the tool on to restart.

## Overheat protection

When the tool or battery is overheated, the tool stops automatically. In this case, let the tool and battery cool before turning the tool on again.

## Overdischarge protection

When the battery capacity is not enough, the tool stops automatically. In this case, remove the battery from the tool and charge the battery.

## Protections against other causes

Protection system is also designed for other causes that could damage the tool and allows the tool to stop automatically. Take all the following steps to clear the causes, when the tool has been brought to a temporary halt or stop in operation.

1. Make sure that all switch(es) is/are in the off position, and then turn the tool on again to restart.
2. Charge the battery(ies) or replace it/them with recharged battery(ies).
3. Let the tool and battery(ies) cool down.

If no improvement can be found by restoring protection system, then contact your local Makita Service Center.

When the hook-and-loop on the pad saver wears out, remove the pad saver and install a new one.

To remove the pad saver, peel the pad saver off from the edge.

## Installing or removing abrasive paper

**CAUTION:** Make sure that the abrasive paper is installed securely before use. Otherwise the abrasive paper may be removed easily that causes slipping and results uneven sanding operation.

**CAUTION:** Make sure that the pad is installed correctly and securely. A loose attachment will run out of balance and cause an excessive vibration resulting in loss of control.

**CAUTION:** Be sure that a pad, pad saver and abrasive paper are aligned and securely attached.

**CAUTION:** Only use abrasive papers. Never use pressure-sensitive abrasive papers.

**NOTE:** The abrasive paper can be attached also on the pad directly.

## For hook-and-loop fastener type

1. Remove all dirt and foreign matter from the pad saver.
2. Attach an abrasive sheet to the pad saver.
  - For paper type abrasive sheet with dust-suction holes, align the dust-suction holes in the paper with those in the pad saver.
  - For net type abrasive sheet, align the outer shape with the pad saver.

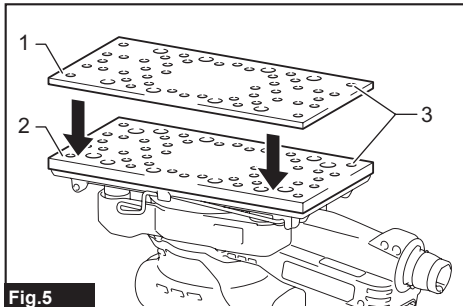
## ASSEMBLY

**CAUTION:** Always be sure that the tool is switched off and the battery cartridge is removed before carrying out any work on the tool.

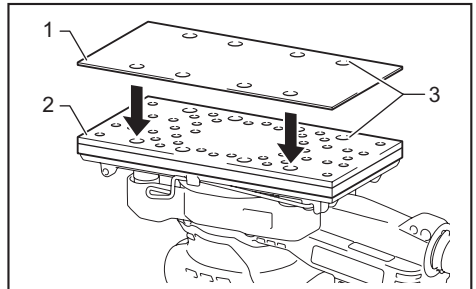
## Installing or removing the pad saver

The pad saver prevents wear of the hook-and-loop on the pad.

1. To install the pad saver, remove all dirt and foreign matter from the pad.
2. Attach the pad saver to the pad aligning the dust-suction holes in the pad saver with those in the pad.



► 1. Pad saver 2. Pad 3. Dust-suction holes



► 1. Abrasive sheet 2. Pad saver 3. Dust-suction holes

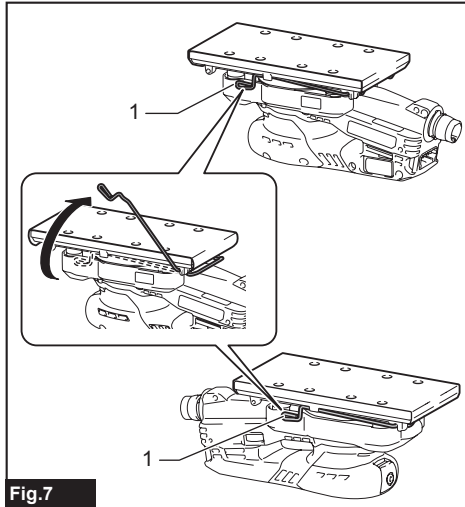
To remove the abrasive sheet, peel the abrasive sheet off from the edge while holding the pad saver to prevent it from being peeled together.

## For clamp type

### Using abrasive paper with pre-punched holes

1. Push down to release one clamp lever from the locked position.

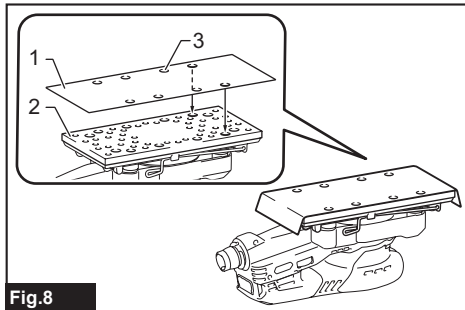
Either left or right of the clamp lever is fine.



**Fig.7**

- 1. Clamp lever

2. Place a sheet of abrasive paper over the pad, aligning the dust-suction holes in the paper with those in the pad.

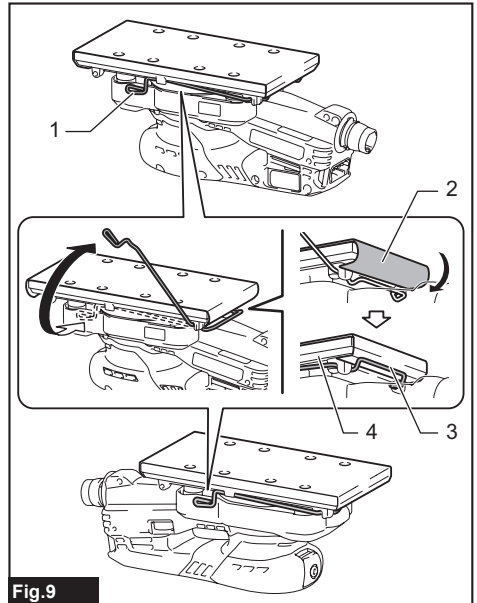


**Fig.8**

- 1. Abrasive paper 2. Pad 3. Dust-suction hole

3. Slip one end of the abrasive paper into the space between the clamp and base.
4. Return the clamp lever to its locked position so the end of abrasive paper is clamped securely.
5. Push down the other clamp lever, and slip the other end of the abrasive paper into the space between the clamp and base.

6. Maintain a proper tension on abrasive paper, and then return the clamp lever to its locked position.



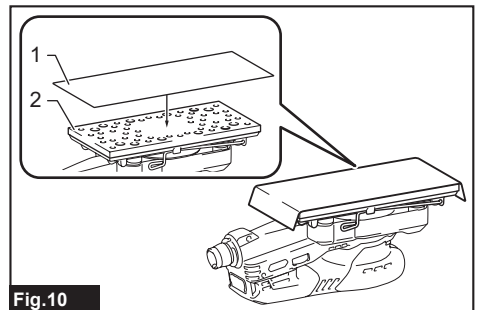
**Fig.9**

- 1. Clamp lever 2. Abrasive paper 3. Clamp 4. Base

To remove the abrasive paper, release the clamps and take the paper off the pad.

### Using abrasive paper without holes

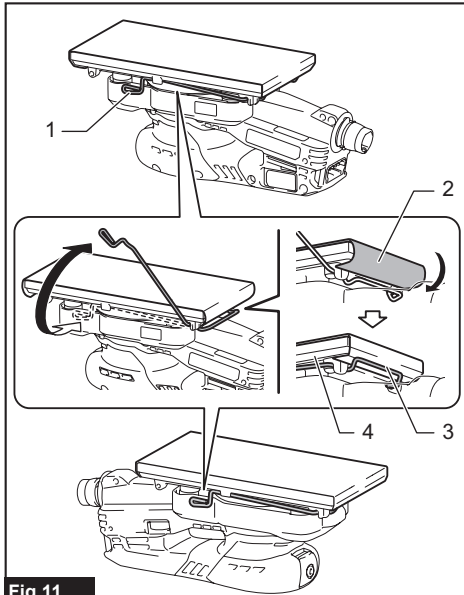
1. Cut a sheet of abrasive paper down to an appropriate size.



**Fig.10**

- 1. Abrasive paper 2. Pad

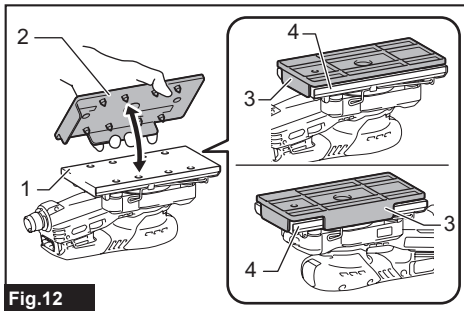
2. Install abrasive paper. For installing abrasive paper, refer to "Using abrasive paper with pre-punched holes."



**Fig.11**

- ▶ 1. Clamp lever 2. Abrasive paper 3. Clamp 4. Base

3. Cover the abrasive paper with the punch plate with its positioning stoppers fit the side edges of the pad.



**Fig.12**

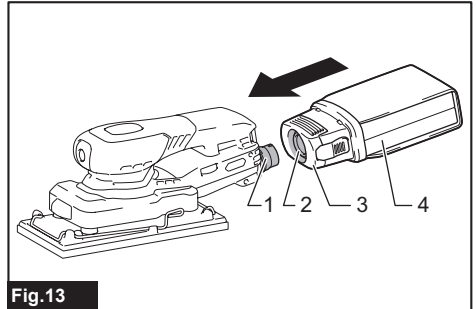
- ▶ 1. Abrasive paper 2. Punch plate 3. Positioning stoppers 4. Pad

4. Push the punch plate over the abrasive paper to make dust-suction holes.

To remove the abrasive paper, release the clamps and take the paper off the pad.

## Installing and removing dust bag

Attach the dust bag assembly over the dust spout at the back end of the motor housing. Put the dust inlet onto the dust spout all the way until it locks in place. To remove the dust bag assembly, hold and pull the dust cap.



**Fig.13**

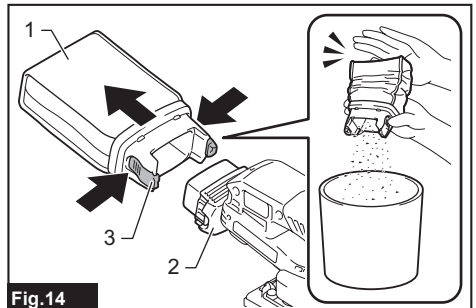
- ▶ 1. Dust spout 2. Dust inlet 3. Dust cap 4. Dust bag

**NOTICE:** Do not hold the dust bag when carrying the tool. Otherwise, the tool may fall and be damaged.

## Disposing of dust

To ensure optimal dust collecting, empty the dust bag when it becomes filled to approximately half of its capacity.

1. Remove the dust bag from the dust cap while pressing both buttons.
2. Gently tap the bottom of dust bag to empty.



**Fig.14**

- ▶ 1. Dust bag 2. Dust cap 3. Button

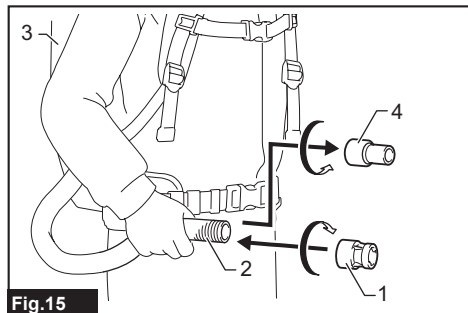
## Connecting with vacuum cleaner

When you wish to perform clean sanding operation, connect a Makita vacuum cleaner to your tool.

**NOTICE:** When operating the tool with the backpack vacuum cleaner, always use the front cuff (supplied with the tool). Doing so will reduce static electricity.

1. Remove the other cuff from the hose if it is attached.

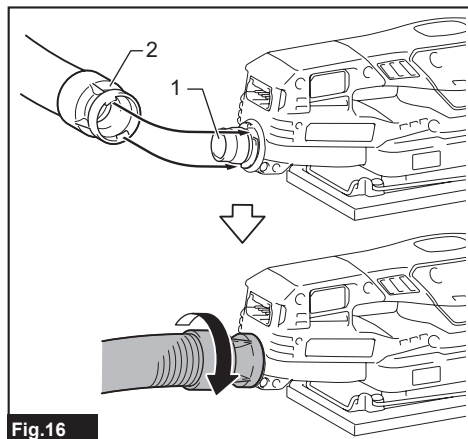
2. Screw in the front cuff supplied with the tool onto the hose. Make sure that the front cuff is securely screwed in the hose.



**Fig.15**

- ▶ 1. Front cuff (supplied with the tool) 2. Hose 3. Vacuum cleaner 4. Other cuff

3. Attach the front cuff over the dust spout of the tool. Put the front cuff onto the dust spout all the way and then turn the front cuff tightly in the arrow as shown in the figure.

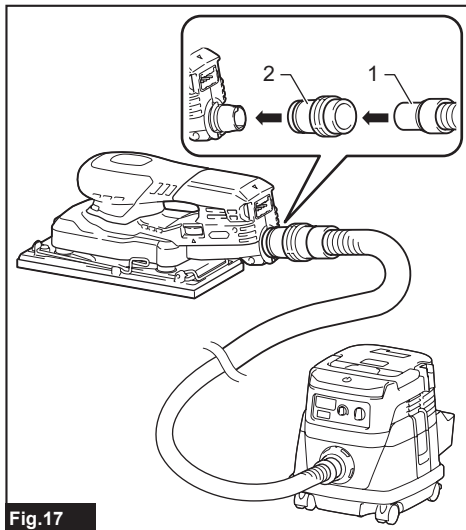


**Fig.16**

- ▶ 1. Dust spout 2. Front cuff (supplied with the tool)

### For vacuum cleaner that is not backpack type

You can connect the hose with also the front cuff 22 and the front cuff 24. The front cuff 22 and the front cuff 24 are the optional accessories or supplied with the vacuum cleaner.



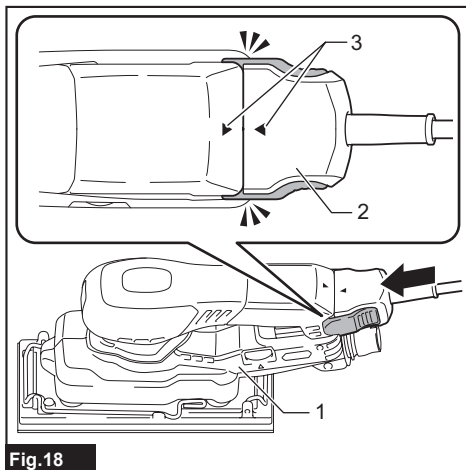
**Fig.17**

- ▶ 1. Front cuff 22 (optional accessory or supplied with the vacuum cleaner) 2. Front cuff 24 (optional accessory or supplied with the vacuum cleaner)

### Installing or removing the battery adapter

**NOTICE:** Make sure that there is no dust accumulation at the connection between the tool and battery adapter. Dust accumulation may cause malfunction.

1. To install the battery adapter, align the arrow mark on the battery adapter with that of the tool.
2. Insert the battery adapter all the way until it locks in place with a little click.



**Fig.18**

- ▶ 1. Tool 2. Battery adapter 3. Arrow mark

To remove the battery adapter, slide the battery adapter off while pushing down both buttons.

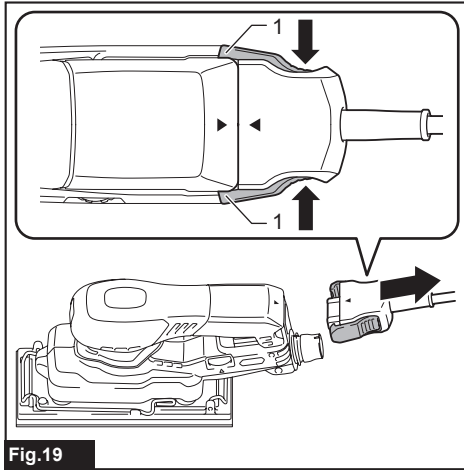


Fig.19

► 1. Button

## Setting up the battery adapter

**CAUTION:** Do not operate the tool if the connection cord is damaged.

**NOTICE:** Do not abuse the connection cord. Do not carry the tool by pulling the connection cord. Keep the connection cord away from heat, oil, or sharp edges. Otherwise the connection cord may be damaged.

Hang the battery adapter on the waist belt. The cord holder helps the cord handling. Attach the cord holder if necessary with screw on right or left of the battery adapter.

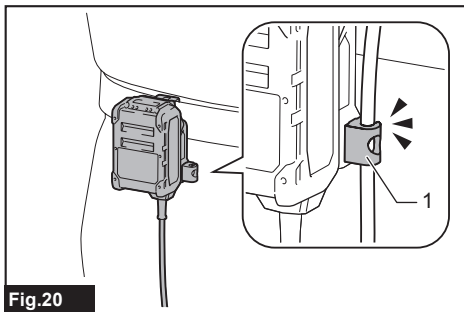


Fig.20

► 1. Cord holder

## Arm band

The arm band is convenient for the cord handling.

1. Put the arm band on your arm, and then adjust the length of the arm band.
2. Press in the connection cord through the opening of the holder.

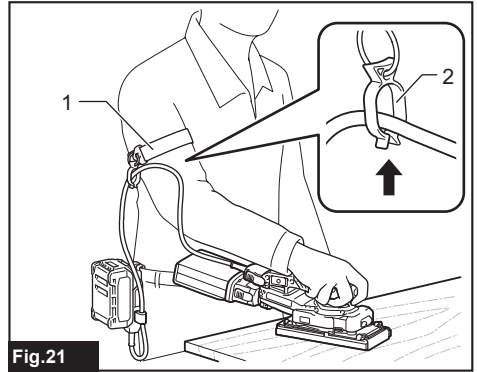


Fig.21

► 1. Arm band 2. Holder with the opening

**CAUTION:** Do not force the opening of the holder. Failure to do so may cause deflection and damage to it.

## Hose band

*Included in Battery adapter with 5 m cord (optional accessory)*

When using the vacuum cleaner connected to the tool, the hose band can be used for holding the cord and hose to prevent the tangle.

Hold the cord and hose with the hose band at intervals of approximately 1 m as shown in the figure.

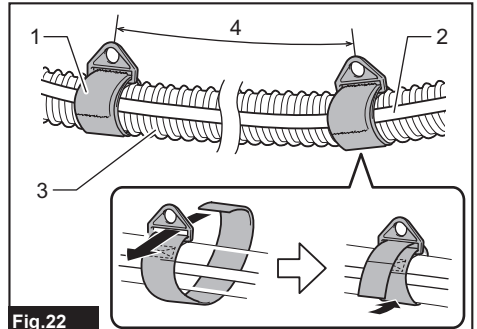


Fig.22

► 1. Hose band 2. Cord 3. Hose 4. Approximately 1 m

# OPERATION

## Sanding operation

**CAUTION:** Always be sure that the workpiece is secured firmly.

**CAUTION:** Wear a dust mask when working with much dust.

**CAUTION:** Do not touch the rotating abrasive paper. Failure to do so may result in a personal injury.

**NOTICE:** Never run the tool without the abrasive paper. You may seriously damage the pad saver or the pad.

**NOTICE:** Never force the tool. Excessive pressure may decrease the sanding efficiency, damage the abrasive paper and/or shorten the tool life.

**NOTICE:** Do not use the tool for polishing. Do not attach the polishing accessory such as the sponge on the tool. Otherwise malfunction may occur.

Hold the tool firmly. Turn the tool on and wait until it attains the adjusted speed. Then gently place the tool on the workpiece surface. Keep the pad flush with the workpiece and do not bear down on the tool.

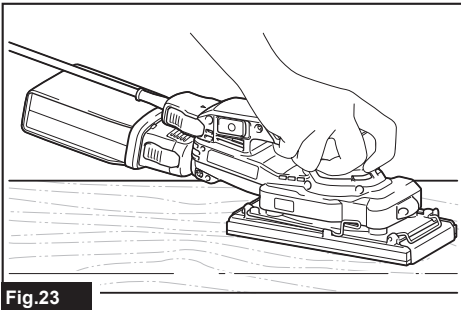


Fig.23

## Operation with the harness

### Optional accessory

The harness allows the operation while carrying the battery adapter on your back.

The carabiner can be attached to the harness. The tool can be hooked onto the carabiner by using the hook. For the installation of the hook, refer to "Installing hook".

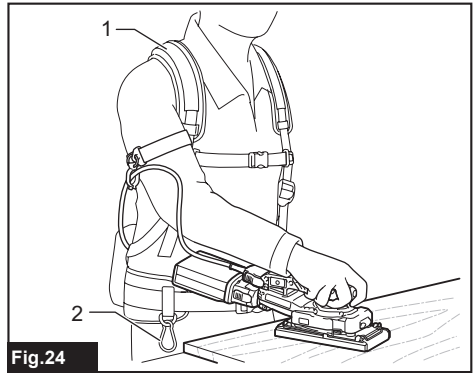


Fig.24

► 1. Harness 2. Carabiner

## Operation with the protection cover

### Optional accessory

**NOTICE:** Before you select the protection cover, make sure that the protection cover is compatible with your backpack vacuum cleaner. The protection cover can be attached to the only specific models of backpack vacuum cleaner.

Examples of the compatible model:

- VC008G / GCV05
- VC009G / GCV06

Above are part of the examples. For details, ask our service center whether your backpack vacuum cleaner is compatible to the protection cover or not.

The protection cover protects the backpack vacuum cleaner and the battery adapter, and allows the operation with carrying the backpack vacuum cleaner and the battery adapter together on your back.

1. Remove the screws that secure the harness of the backpack vacuum cleaner.

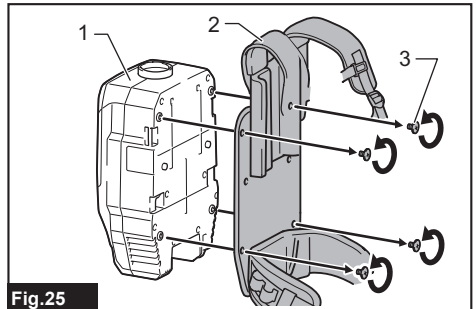


Fig.25

► 1. Backpack vacuum cleaner 2. Harness of the backpack vacuum cleaner 3. Screw

2. Wrap the backpack vacuum cleaner with the protection cover (for backpack vacuum cleaner).

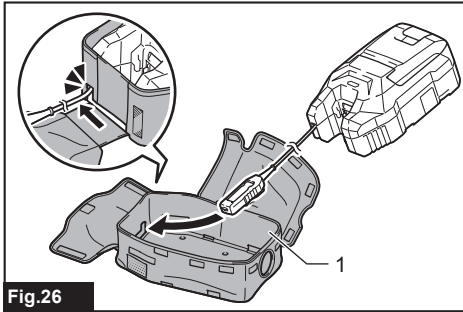


Fig.26

- 1. Protection cover (for backpack vacuum cleaner)

3. Secure the harness of the backpack vacuum cleaner by fastening the screws.

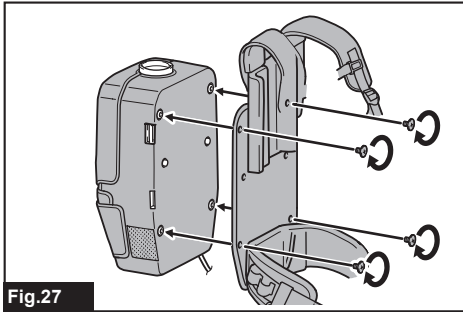


Fig.27

4. Store the battery parts of the battery adapter in the protection cover (for the battery adapter), and then loop the protection cover (for the battery adapter) on the harness as shown in the figure.

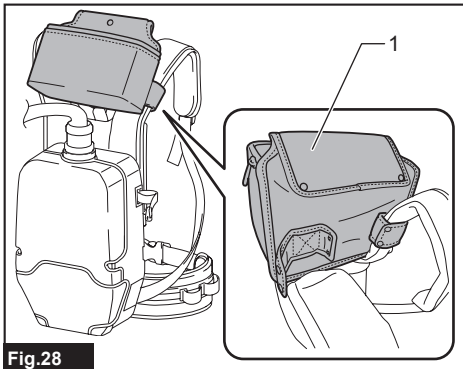


Fig.28

- 1. Protection cover (for the battery adapter)

5. The carabiner can be attached to the harness. The tool can be hooked onto the carabiner by using the hook. For the installation of the hook, refer to "Installing hook".

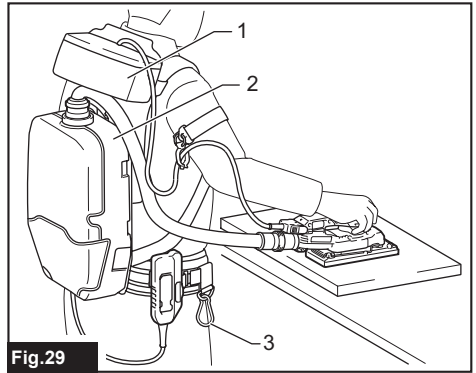


Fig.29

- 1. Protection cover (for the battery adapter)  
2. Protection cover (for backpack vacuum cleaner)  
3. Carabiner

## Installing hook

**⚠ WARNING:** Use the hanging/mounting parts for their intended purposes only, e.g., hanging the tool on a tool belt between jobs or work intervals.

**⚠ WARNING:** Be careful not to overload the hook as too much force. Otherwise irregular overburden may cause damages to the tool resulting in personal injury.

**⚠ CAUTION:** When installing the hook, always secure it with the screw firmly. If not, the hook may come off from the tool and result in the personal injury.

**⚠ CAUTION:** Make sure to hang the tool securely before releasing your hold. Insufficient or unbalanced hooking may cause falling off and you may be injured.

**⚠ CAUTION:** Use the carabiner that has sufficient strength. Otherwise the carabiner may break and cause injury.

The tool can be hooked onto the carabiner by using the hook.

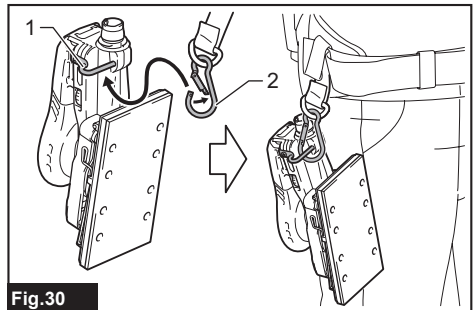


Fig.30

- 1. Hook 2. Carabiner

The hook can be installed on either side of the tool. To install the hook, insert it into the hole in the tool, and then secure the hook with a screw. To remove, loosen the screw and then take it out.

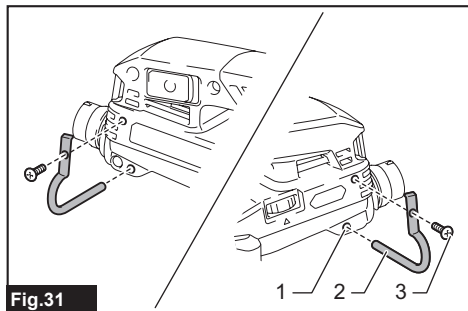


Fig.31

► 1. Hole 2. Hook 3. Screw

## WIRELESS ACTIVATION FUNCTION

### What you can do with the wireless activation function

The wireless activation function enables clean and comfortable operation. By connecting a supported vacuum cleaner to the tool, you can run the vacuum cleaner automatically along with the switch operation of the tool.

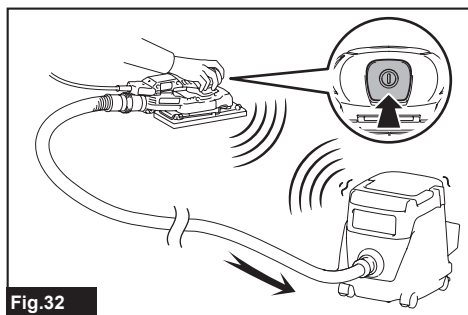


Fig.32

To use the wireless activation function, prepare following items:

- A wireless unit (optional accessory)
- A vacuum cleaner which supports the wireless activation function

The overview of the wireless activation function setting is as follows. Refer to each section for detail procedures.

1. Installing the wireless unit
2. Tool registration for the vacuum cleaner
3. Starting the wireless activation function

## Installing the wireless unit

### Optional accessory

**CAUTION:** Place the tool on a flat and stable surface when installing the wireless unit.

**NOTICE:** Clean the dust and dirt on the tool before installing the wireless unit. Dust or dirt may cause malfunction if it comes into the slot of the wireless unit.

**NOTICE:** To prevent the malfunction caused by static, touch a static discharging material, such as a metal part of the tool, before picking up the wireless unit.

**NOTICE:** When installing the wireless unit, always be sure that the wireless unit is inserted in the correct direction and the lid is completely closed.

1. Open the lid on the tool as shown in the figure.

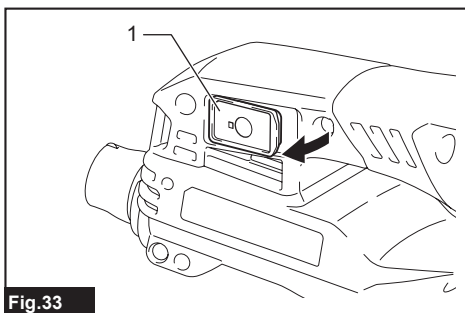


Fig.33

- 1. Lid

2. Insert the wireless unit to the slot and then close the lid.

When inserting the wireless unit, align the projections with the recessed portions on the slot.

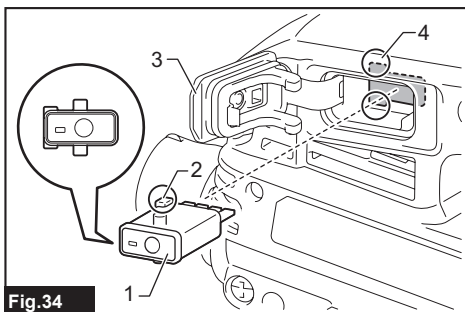
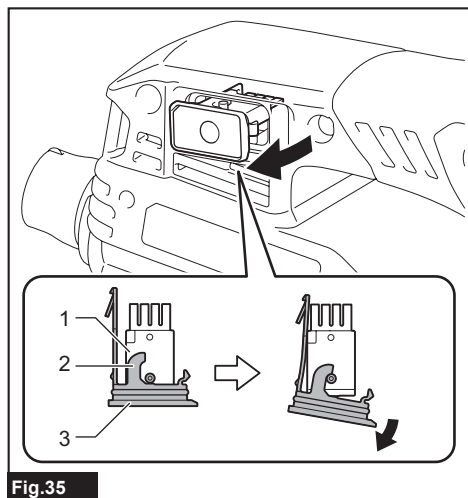


Fig.34

- 1. Wireless unit 2. Projection 3. Lid 4. Recessed portion



When removing the wireless unit, open the lid slowly. The hooks on the back of the lid will lift the wireless unit as you pull up the lid.



**Fig.35**

► 1. Wireless unit 2. Hook 3. Lid

After removing the wireless unit, keep it in the supplied case or a static-free container.

**NOTICE:** Always use the hooks on the back of the lid when removing the wireless unit. If the hooks do not catch the wireless unit, close the lid completely and open it slowly again.

## Tool registration for the vacuum cleaner

**NOTE:** A Makita vacuum cleaner supporting the wireless activation function is required for the tool registration.

**NOTE:** Finish installing the wireless unit to the tool before starting the tool registration.

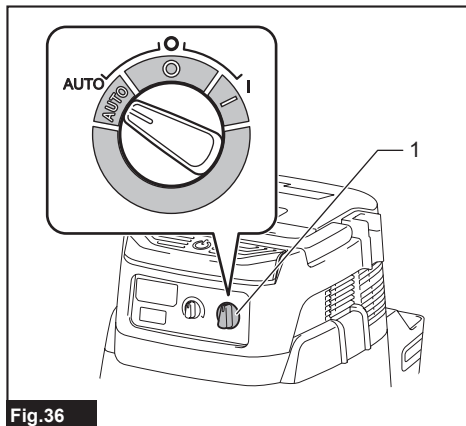
**NOTE:** During the tool registration, do not pull the switch trigger or turn on the power switch on the vacuum cleaner.

**NOTE:** Refer to the instruction manual of the vacuum cleaner, too.

If you wish to activate the vacuum cleaner along with the switch operation of the tool, finish the tool registration beforehand.

1. Install the batteries to the vacuum cleaner and the tool.

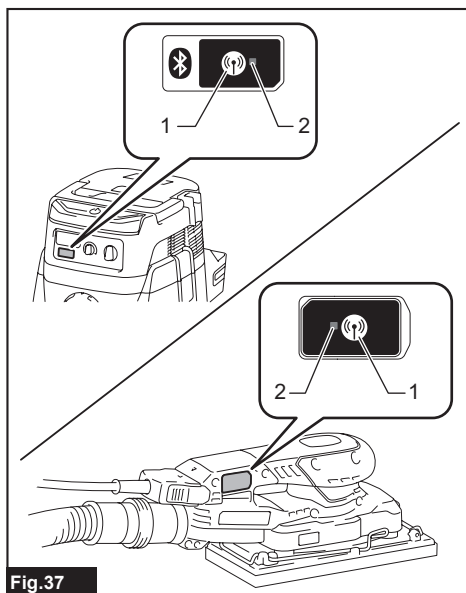
2. Set the stand-by switch on the vacuum cleaner to "AUTO".



**Fig.36**

► 1. Stand-by switch

3. Press the wireless activation button on the vacuum cleaner for 3 seconds until the wireless activation lamp blinks in green. And then press the wireless activation button on the tool in the same way.



**Fig.37**

► 1. Wireless activation button 2. Wireless activation lamp

If the vacuum cleaner and the tool are linked successfully, the wireless activation lamps will light up in green for 2 seconds and start blinking in blue.

**NOTE:** The wireless activation lamps finish blinking in green after 20 seconds elapsed. Press the wireless activation button on the tool while the wireless activation lamp on the cleaner is blinking. If the wireless activation lamp does not blink in green, push the wireless activation button briefly and hold it down again.

**NOTE:** When performing two or more tool registrations for one vacuum cleaner, finish the tool registration one by one.

## Starting the wireless activation function

**NOTE:** Finish the tool registration for the vacuum cleaner prior to the wireless activation.

**NOTE:** Refer to the instruction manual of the vacuum cleaner, too.

After registering a tool to the vacuum cleaner, the vacuum cleaner will automatically run along with the switch operation of the tool.

1. Install the wireless unit to the tool.
2. Connect the hose of the vacuum cleaner with the tool.

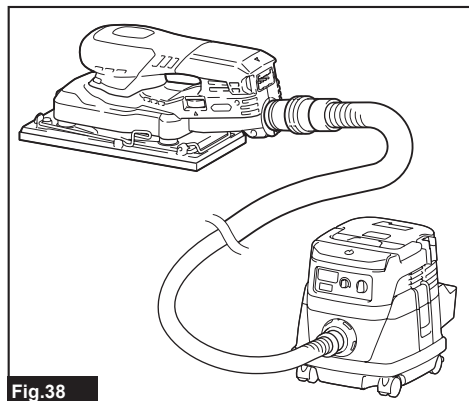


Fig.38

3. Set the stand-by switch on the vacuum cleaner to "AUTO".

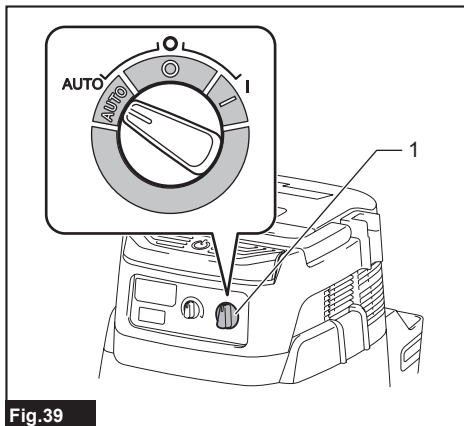


Fig.39

- ▶ 1. Stand-by switch

4. Push the wireless activation button on the tool briefly. The wireless activation lamp will blink in blue.

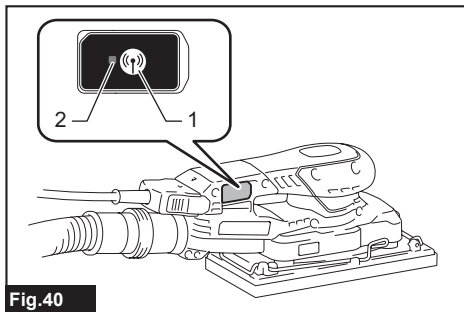


Fig.40

- ▶ 1. Wireless activation button 2. Wireless activation lamp

5. Turn on the tool. Check if the vacuum cleaner runs while the tool is operating.

To stop the wireless activation of the vacuum cleaner, push the wireless activation button on the tool.

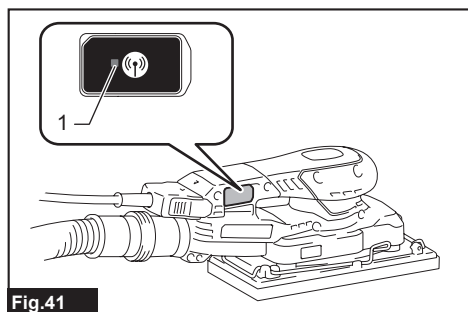
**NOTE:** The wireless activation lamp on the tool will stop blinking in blue when there is no operation for 2 hours. In this case, set the stand-by switch on the vacuum cleaner to "AUTO" and push the wireless activation button on the tool again.

**NOTE:** The vacuum cleaner starts/stops with a delay. There is a time lag when the vacuum cleaner detects a switch operation of the tool.

**NOTE:** The transmission distance of the wireless unit may vary depending on the location and surrounding circumstances.

**NOTE:** When two or more tools are registered to one vacuum cleaner, the vacuum cleaner may start running even if you do not turn on your tool because another user is using the wireless activation function.

## Description of the wireless activation lamp status



**Fig.41**

► **1. Wireless activation lamp**

The wireless activation lamp shows the status of the wireless activation function. Refer to the table below for the meaning of the lamp status.

Status	Wireless activation lamp				Description
	Color	■ On	▣ Blinking	Duration	
Standby	Blue		▣	2 hours	The wireless activation of the vacuum cleaner is available. The lamp will automatically turn off when no operation is performed for 2 hours.
		■		When the tool is running.	The wireless activation of the vacuum cleaner is available and the tool is running.
Tool registration	Green		▣	20 seconds	Ready for the tool registration. Waiting for the registration by the vacuum cleaner.
		■		2 seconds	The tool registration has been finished. The wireless activation lamp will start blinking in blue.
Cancelling tool registration	Red		▣	20 seconds	Ready for the cancellation of the tool registration. Waiting for the cancellation by the vacuum cleaner.
		■		2 seconds	The cancellation of the tool registration has been finished. The wireless activation lamp will start blinking in blue.
Others	Red	■		3 seconds	The power is supplied to the wireless unit and the wireless activation function is starting up.
	Off	-		-	The wireless activation of the vacuum cleaner is stopped.

## Cancelling tool registration for the vacuum cleaner

Perform the following procedure when cancelling the tool registration for the vacuum cleaner.

1. Install the batteries to the vacuum cleaner and the tool.
2. Set the stand-by switch on the vacuum cleaner to "AUTO".

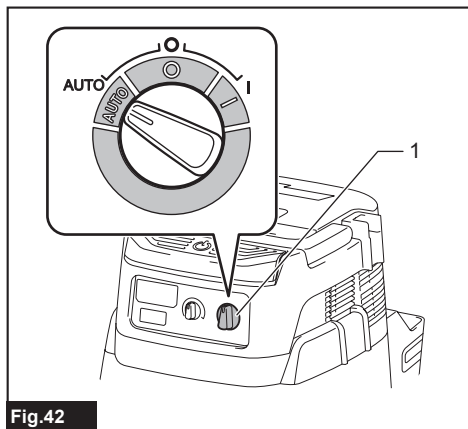


Fig.42

- 1. Stand-by switch

3. Press the wireless activation button on the vacuum cleaner for 6 seconds. The wireless activation lamp blinks in green and then become red. After that, press the wireless activation button on the tool in the same way.

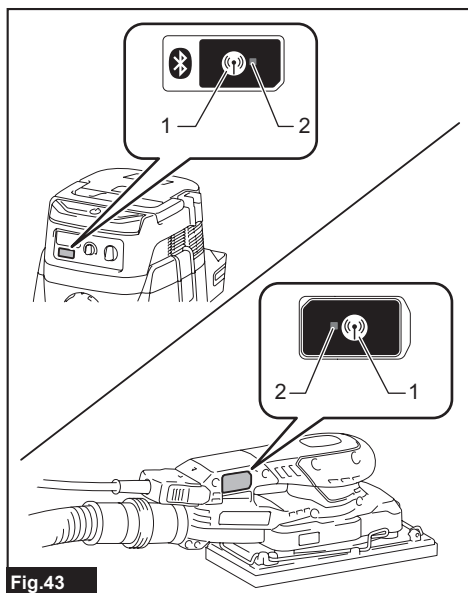


Fig.43

- 1. Wireless activation button 2. Wireless activation lamp

If the cancellation is performed successfully, the wireless activation lamps will light up in red for 2 seconds and start blinking in blue.

**NOTE:** The wireless activation lamps finish blinking in red after 20 seconds elapsed. Press the wireless activation button on the tool while the wireless activation lamp on the cleaner is blinking. If the wireless activation lamp does not blink in red, push the wireless activation button briefly and hold it down again.

## Troubleshooting for wireless activation function

Before asking for repairs, conduct your own inspection first. If you find a problem that is not explained in the manual, do not attempt to dismantle the tool. Instead, ask Makita Authorized Service Centers, always using Makita replacement parts for repairs.

State of abnormality	Probable cause (malfunction)	Remedy
The wireless activation lamp does not light/blink.	The wireless unit is not installed into the tool. The wireless unit is improperly installed into the tool.	Install the wireless unit correctly.
	The terminal of the wireless unit and/or the slot is dirty.	Gently wipe off dust and dirt on the terminal of the wireless unit and clean the slot.
	The wireless activation button on the tool has not been pushed.	Push the wireless activation button on the tool briefly.
	The stand-by switch on the vacuum cleaner is not set to "AUTO".	Set the stand-by switch on the vacuum cleaner to "AUTO".
	No power supply	Supply the power to the tool and the vacuum cleaner.
Cannot finish tool registration / cancelling tool registration successfully.	The wireless unit is not installed into the tool. The wireless unit is improperly installed into the tool.	Install the wireless unit correctly.
	The terminal of the wireless unit and/or the slot is dirty.	Gently wipe off dust and dirt on the terminal of the wireless unit and clean the slot.
	The stand-by switch on the vacuum cleaner is not set to "AUTO".	Set the stand-by switch on the vacuum cleaner to "AUTO".
	No power supply	Supply the power to the tool and the vacuum cleaner.
	Incorrect operation	Push the wireless activation button briefly and perform the tool registration/cancellation procedures again.
	The tool and vacuum cleaner are away from each other (out of the transmission range).	Get the tool and vacuum cleaner closer to each other. The maximum transmission distance is approximately 10 m however it may vary according to the circumstances.
	Before finishing the tool registration/cancellation; - the switch of the tool is turned on or; - the power button on the vacuum cleaner is turned on.	Push the wireless activation button briefly and perform the tool registration/cancellation procedures again.
	The tool registration procedures for the tool or vacuum cleaner have not finished.	Perform the tool registration procedures for both the tool and the vacuum cleaner at the same timing.
Radio disturbance by other appliances which generate high-intensity radio waves.	Keep the tool and vacuum cleaner away from the appliances such as Wi-Fi devices and microwave ovens.	

State of abnormality	Probable cause (malfunction)	Remedy
The vacuum cleaner does not run along with the switch operation of the tool.	The wireless unit is not installed into the tool. The wireless unit is improperly installed into the tool.	Install the wireless unit correctly.
	The terminal of the wireless unit and/or the slot is dirty.	Gently wipe off dust and dirt on the terminal of the wireless unit and clean the slot.
	The wireless activation button on the tool has not been pushed.	Push the wireless activation button briefly and make sure that the wireless activation lamp is blinking in blue.
	The stand-by switch on the vacuum cleaner is not set to "AUTO".	Set the stand-by switch on the vacuum cleaner to "AUTO".
	More than 10 tools are registered to the vacuum cleaner.	Perform the tool registration again. If more than 10 tools are registered to the vacuum cleaner, the tool registered earliest will be cancelled automatically.
	The vacuum cleaner erased all tool registrations.	Perform the tool registration again.
	No power supply	Supply the power to the tool and the vacuum cleaner.
	The tool and vacuum cleaner are away from each other (out of the transmission range).	Get the tool and vacuum cleaner closer each other. The maximum transmission distance is approximately 10 m however it may vary according to the circumstances.
	Radio disturbance by other appliances which generate high-intensity radio waves.	Keep the tool and vacuum cleaner away from the appliances such as Wi-Fi devices and microwave ovens.
The vacuum cleaner runs while the tool is not operating.	Other users are using the wireless activation of the vacuum cleaner with their tools.	Turn off the wireless activation button of the other tools or cancel the tool registration of the other tools.

## MAINTENANCE

**CAUTION:** Always be sure that the tool is switched off and the battery cartridge is removed before attempting to perform inspection or maintenance.

**NOTICE:** Never use gasoline, benzene, thinner, alcohol or the like. Discoloration, deformation or cracks may result.

To maintain product SAFETY and RELIABILITY, repairs, any other maintenance or adjustment should be performed by Makita Authorized or Factory Service Centers, always using Makita replacement parts.

### After use

Wipe off the tool using a dry cloth or cloth slightly moistened with soapy water at regular intervals.

## Replacing the pad

Replace the pad when the hook-and-loop fastener on the pad wears out.

1. Loosen the screws to remove the pad from the base.

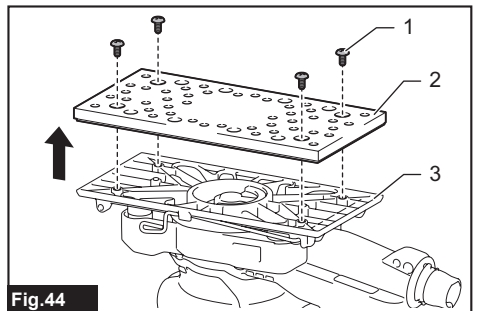


Fig.44

- 1. Screw 2. Pad 3. Base

2. Replace the current pad with a new one.
3. Re-tighten the screws firmly to secure the pad.

# OPTIONAL ACCESSORIES

**⚠ CAUTION:** These accessories or attachments are recommended for use with your Makita tool specified in this manual. The use of any other accessories or attachments might present a risk of injury to persons. Only use accessory or attachment for its stated purpose.

If you need any assistance for more details regarding these accessories, ask your local Makita Service Center.

- Abrasive paper (hook and loop)
- Abrasive paper (clamp)
- Pad saver
- Pad
- Punch plate
- Dust bag
- Harness
- Protection cover
- Battery adapter
- Wireless unit
- Makita genuine battery and charger

**NOTE:** Some items in the list may be included in the tool package as standard accessories. They may differ from country to country.

# Makita Europe N.V.

Jan-Baptist Vinkstraat 2, 3070 Kortenberg, Belgium

# Makita Corporation

3-11-8, Sumiyoshi-cho, Anjo, Aichi 446-8502 Japan

[www.makita.com](http://www.makita.com)



885A90-224  
EN  
20240827