



HK

HONG KONG

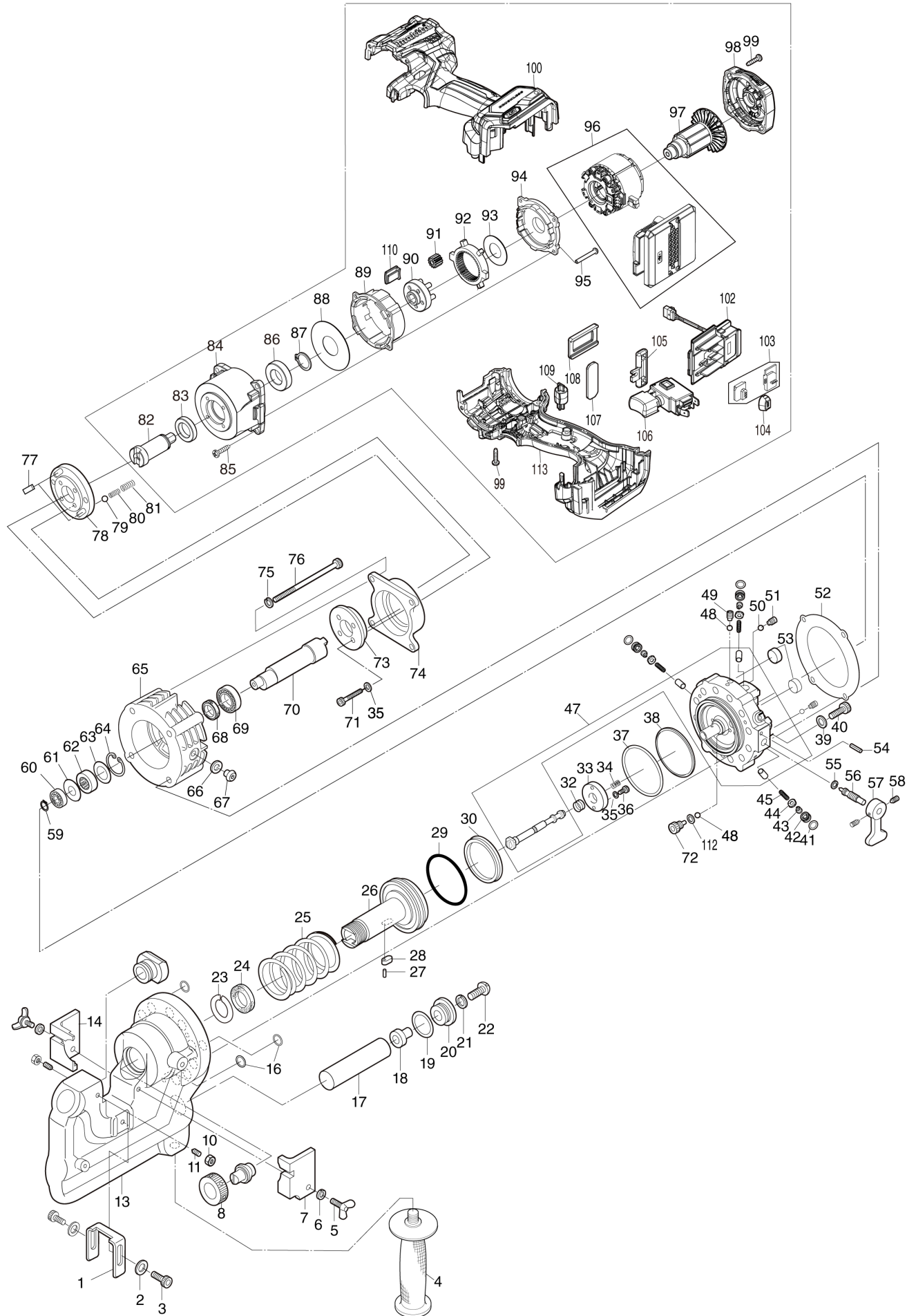
Diagram / Parts List

PP001G

CORDLESS HOLE PUNCHER



(HK) PP001G / CORDLESS HOLE PUNCHER



HK

HONG KONG

PP001G / CORDLESS HOLE PUNCHER

Item	Sub	Parts No.	Parts Description	Qty	I/C	E/C No.	Close No.	Remark
001		SC03505970	SLIDE STOPPPER	1				
002		941101-4	FLAT WASHER 5	2				
003		SC00000059	HEX. SOCKET HEAD BOLT M5X12	2				
004		SC00000155	GRIP M14	1				
005		SC07552000	WING BOLT M6X15	2				
006		SC07610040	WASHER SW6	2				
007		SC03303570	STRIPPER R	1				
008		SC03505320	PUNCH RETAINING NUT	1				
010		931301-4	HEX. NUT M6	2				
011		913327-8	SET SCREW (CONE POINT) M6X16	2				
013		SC03103740	C FRAME COMPLETE	1				
014		SC03302580	STRIPPER L	1				
016		SC06506010	O RING P8	3				
017		SC09004910	OIL LEVELER SACK	1				
018		SC03507000	BUSHING	1				
019		SC06505320	O RING P26	1				
020		SC03507010	BUSHING HOLDER	1				
021		SC00000065	SPRING WASHER 8	1				
022		SC00000034	SPECIAL PAN HEAD SCREW M8X20	1				
023		SC06503640	BACK UP RING	1				
024		SC06505880	SKY PACKING	1				
025		SC04000370	RETURN SPRING FOR CUTTER ROD	1				
026		SC03110760	PUNCHING ROD	1				
027		SC00000070	SPRING PIN 2.5X10	1				
028		SC03700020	KEY	1				
029		SC06505510	O RING S67	1				
030		SC00000096	ROD PACKING	1				
032		SC04005170	VALVE RETURN SPRING	1				
033		SC03500690	STOPPER PLATE	1				
034		SC04004170	RELEASE BULB SPRING	1				
035		SC00000068	FLAT WASHER 4	6				
036		SC00000060	HEX. SOCKET HEAD BOLT 4X6	2				
037		SC06505190	O RING G65	1				
038		SC06503630	BACK UP RING G65	1				
039		SC07620040	WASHER HW8	12				
040		SC07514130	HEX. SOCKET HEAD BOLT M8X22	12				
041		SC06505590	O RING S-8	3				
042		SC03500540	METAL PACKING	3				
043		SC00000468	SPRING #43449N2	3				
044		SC00000464	CHECK VALVE #T43445	3				
045		SC00000022	PISTON RETURN SPRING	3				
047		SC09050360	CYLINDER,PISTON & VALVE SET	1				
048		SC07900010	STEEL BALL S4	6			Y09431	
048-1		SC07900010	STEEL BALL S4	7	O	Y09431		
049		SC07523040	HEX.SOCKET SET SCREW M5X5	6				
050		SC07900000	STEEL BALL 3	3				
051		SC07521010	HEX.SOCKET SET SCREW M4X4	3				
052		SC04601600	LINER B	1				
053		SC00000020	MAGNET	2				
054		951116-3	SPRING PIN 4-20	1				
055		SC00000158	O RING P4	1				
056		SC00000146	RETURN VALVE	1				
057		SC00000147	RETURN LEVER	1				
058		913301-6	SET SCREW (CUP POINT) M6X6	2				
059		SC07411250	CIRCLIP STW5	1				
060		SC07100050	BALL BEARING 698	1				
061		SC03301350	WASHER B	1				
062		SC07201030	NEEDLE BEARING	1				
063		SC03301340	WASHER A	1				
064		SC07411330	RETAINING RING H25	1				
065		SC03211330	PUMP CASE	1				
066		SC00000489	SEAL WASHER	1				
067		SC07550510	T50 BUTTON HEAD BOLT M10X15	1				
068		SC06504050	OIL SEAL UE15257	1				
069		SC00000050	BALL BEARING 6002RU	1				

A:

Interchange

O : Yes

X : No

< : the new part can be substituted for the current.

> : the current part can be substituted for the new.

S : Interchangeable as a set.

