



HK

HONG KONG

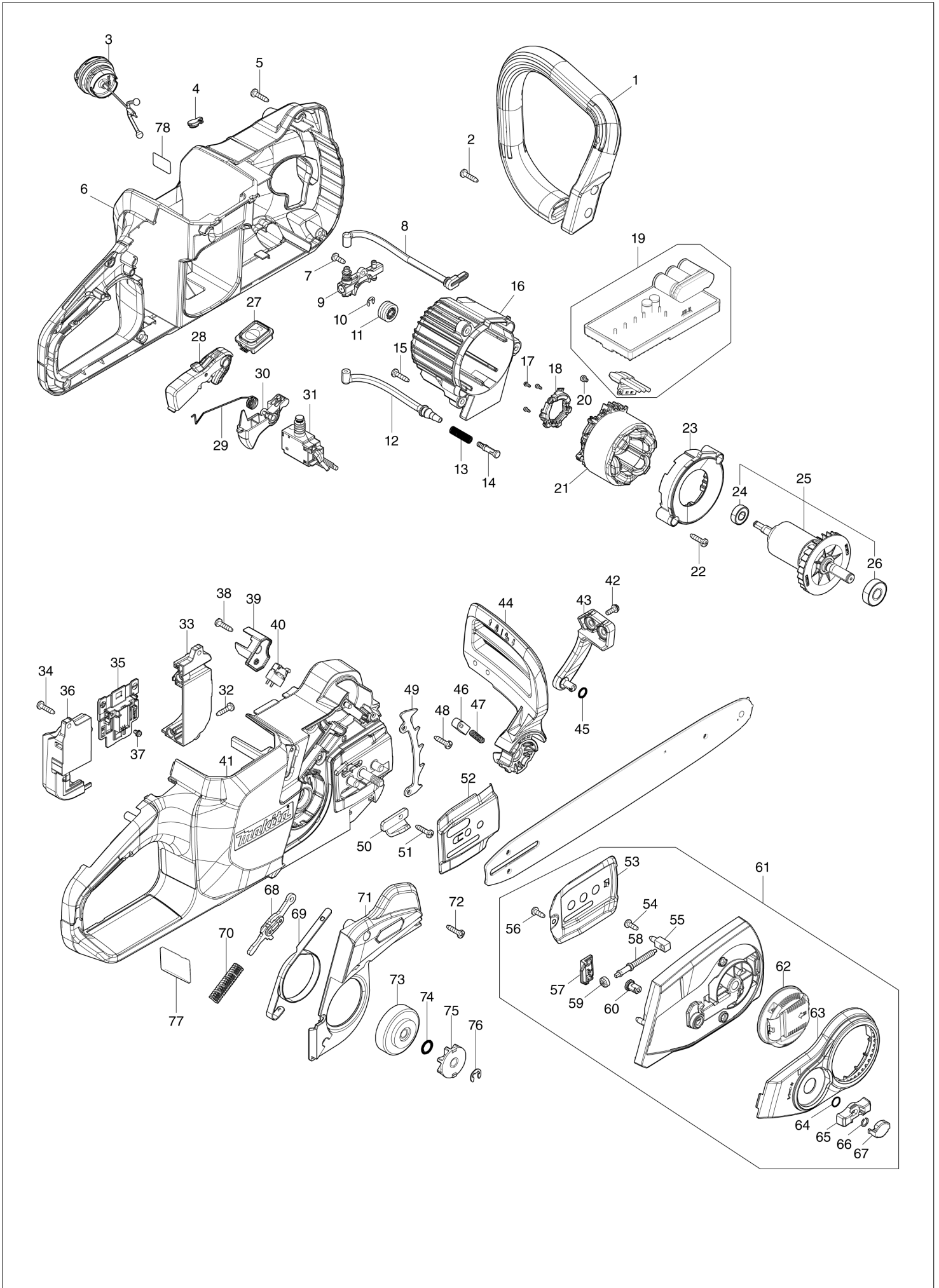
# Diagram / Parts List

**UC022G**

**350MM CORDLESS CHAIN SAW**



(HK) UC022G / 350MM CORDLESS CHAIN SAW



HK

HONG KONG

## UC022G / 350MM CORDLESS CHAIN SAW

Item	Sub	Parts No.	Parts Description	Qty	I/C	E/C No.	Close No.	Remark
001		413W79-4	FRONT HANDLE	1				
002		266326-2	TAPPING SCREW 4X18	4				
003		122A77-2	TANK CAP ASSEMBLY	1				
	C10	213A30-0	O-RING 29.5	1				
004		422467-6	CAP	1				
005		266326-2	TAPPING SCREW 4X18	9				
006		1830U4-5	HOUSING SET	1				
	C10	8074U1-8	CAUTION LABEL	1				
	D10		INC. 4,41					
007		266427-6	TAPPING SCREW 4X12	1				
008		422B10-3	OIL TUBE 3-134	1				
009		140L95-4	OIL PUMP COMPLETE	1				
010		961011-9	STOP RING E-4	1				
011		226884-0	WORM GEAR	1				
012		422B09-8	OIL TUBE 3-114	1				
013		231975-4	SPRING	1				
014		452666-6	NIPPLE	1				
015		266326-2	TAPPING SCREW 4X18	3				
016		413W73-6	MOTOR HOUSING	1				
017		652119-7	PAN HEAD SCREW M2X6	3				
018		632V15-7	SENSOR UNIT	1				
019		620N62-2	CONTROLLER	1				
020		652069-6	FLAT HEAD SCREW M3X6	3				
021		629C60-7	STATOR	1				
022		266326-2	TAPPING SCREW 4X18	2				
023		413W74-4	BAFFLE PLATE	1				
024		210016-9	BALL BEARING 698ZZ	1				
025		519840-0	ROTOR ASSEMBLY	1				
	D10		INC. 24,26					
026		210059-1	BALL BEARING 6000DDW	1				
027		620N64-8	SWITCH CIRCUIT COMPLETE	1				
028		141V01-2	LOCK OFF LEVER COMPLETE	1				
029		232850-7	TORSION SPRING 10	1				
030		413C93-0	SWITCH LEVER	1				
031		650048-8	SWITCH C3JR-4B-PAND6-1	1				
032		266326-2	TAPPING SCREW 4X18	2				
033		1830H3-6	TERMINAL BOX SET	1				
	C10	263005-3	RUBBER PIN 6	2				
	D10		INC. 36					
034		266326-2	TAPPING SCREW 4X18	3				
035		632V23-8	TERMINAL UNIT	1				
036		1830H3-6	TERMINAL BOX SET	1				
	C10	263005-3	RUBBER PIN 6	2				
	D10		INC. 33					
037		652031-1	PAN HEAD SCREW M3X6	2				
038		266326-2	TAPPING SCREW 4X18	1				
039		413W72-8	MICRO SWITCH GUARD	1				
040		650057-7	SWITCH D2SW-P01L30-3M-C2(S)	1				
041		1830U4-5	HOUSING SET	1				
	C10	8074U1-8	CAUTION LABEL	1				
	D10		INC. 4,6					
042		911118-1	PAN HEAD SCREW M4X12	2				
043		413W82-5	FRONT HAND GUARD RETAINER	1				
044		413W68-9	FRONT HAND GUARD	1				
045		213594-8	O RING 7	1				
046		313398-9	HAND GUARD GUIDE	1				
047		234210-9	COMPRESSION SPRING 3	1				
048		266326-2	TAPPING SCREW 4X18	2				
049		347925-0	SPIKE BUMPER	1				
050		347924-2	CHAIN CATCHER	1				
051		266326-2	TAPPING SCREW 4X18	1				
052		347C01-8	GUIDE PLATE	1				
053		347C02-6	GUIDE PLATE R	1				
054		266427-6	TAPPING SCREW 4X12	2				
055		327D00-2	ADJUST PIN	1				

Z:UC022GZ(N)

Interchange

O : Yes

X : No

&lt; : the new part can be substituted for the current.

&gt; : the current part can be substituted for the new.

S : Interchangeable as a set.

