



HK

HONG KONG

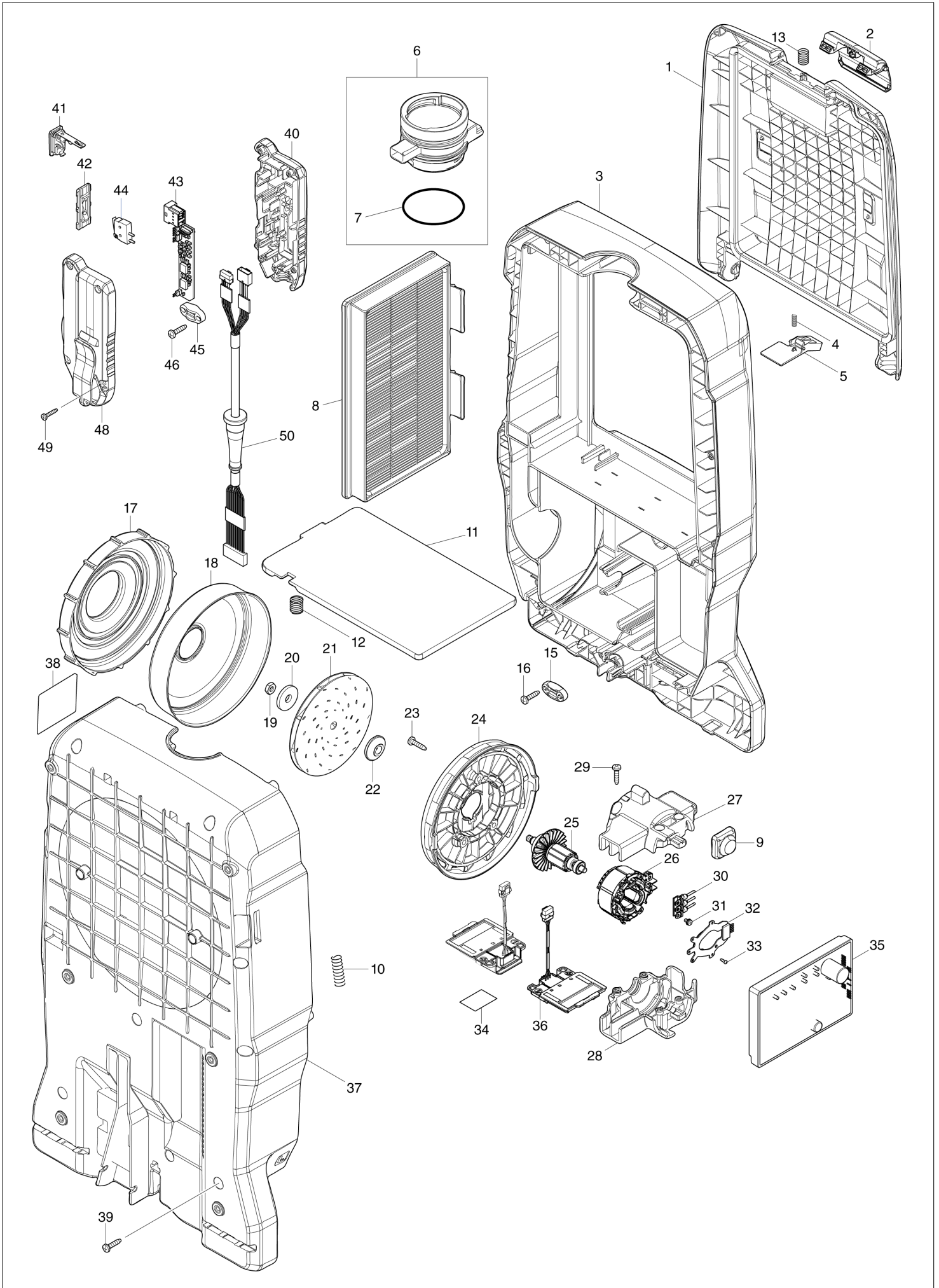
# Diagram / Parts List

**VC012G**

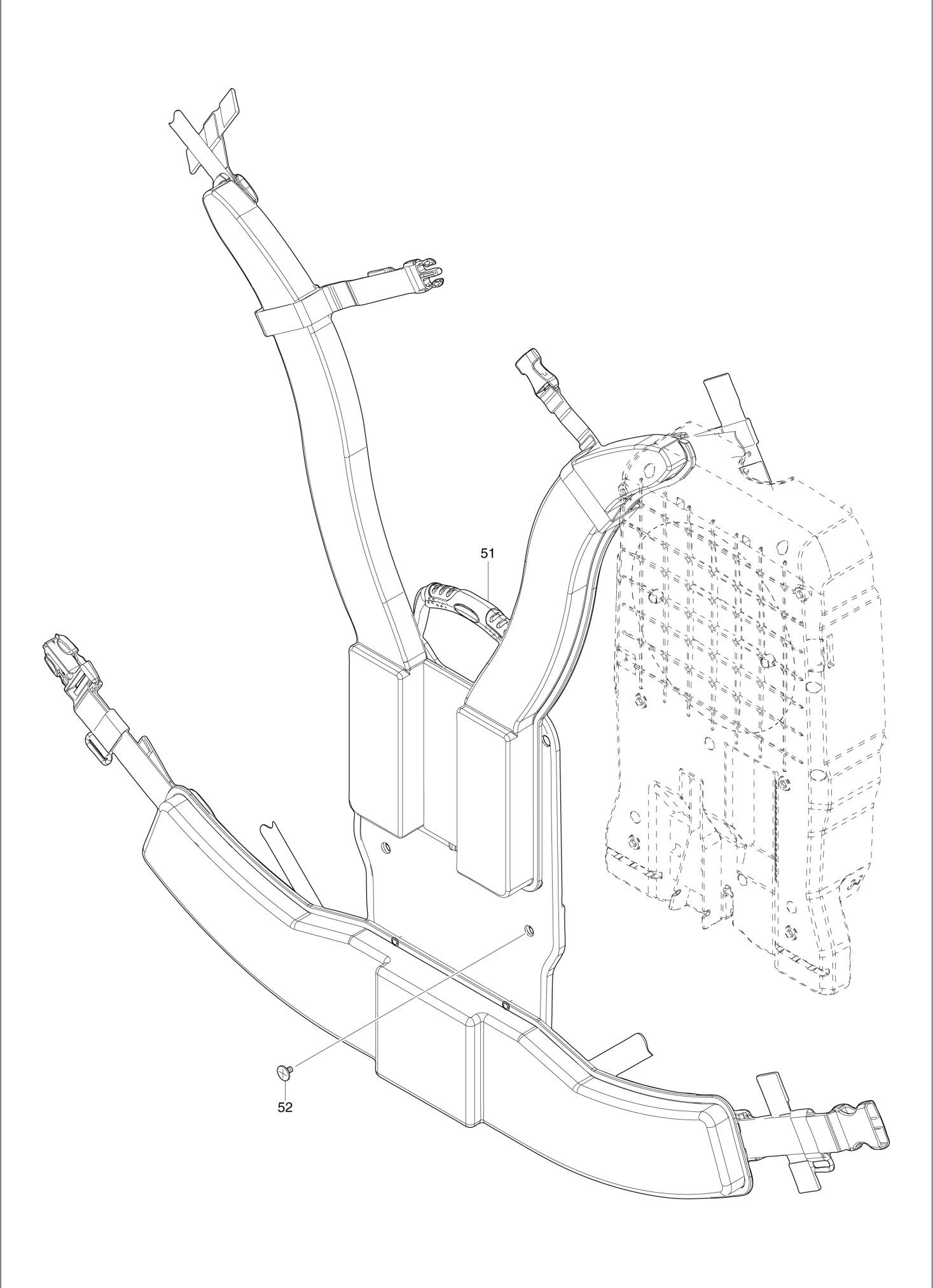
**DC BACKPACK VACUUM CLEANER**



# (HK) VC012G / DC BACKPACK VACUUM CLEANER



(HK) VC012G / DC BACKPACK VACUUM CLEANER



HK

HONG KONG

## VC012G / DC BACKPACK VACUUM CLEANER

| Item | Sub | Parts No. | Parts Description          | Qty | I/C | E/C No. | Close No. | Remark |
|------|-----|-----------|----------------------------|-----|-----|---------|-----------|--------|
| 001  |     | 141S82-8  | DUST BOX COVER COMPLETE    | 1   |     |         |           |        |
|      | C10 | 422A82-2  | SEAL A                     | 1   |     |         |           |        |
| 002  |     | 413E53-4  | HOOK                       | 1   |     |         |           |        |
| 003  |     | 137052-9  | UPPER HOUSING ASSEMBLY     | 1   |     |         |           |        |
|      | C10 | 263005-3  | RUBBER PIN 6               | 2   |     |         |           |        |
|      | C20 | 422A76-7  | REAR BLOCK FILTER          | 1   |     |         |           |        |
| 004  |     | 232389-0  | COMPRESSION SPRING 5       | 1   |     |         |           |        |
| 005  |     | 412268-0  | STOPPER PLATE              | 1   |     |         |           |        |
| 006  |     | 135771-1  | INLET ASS'Y                | 1   |     |         |           |        |
|      | D10 |           | INC. 7                     |     |     |         |           |        |
| 007  |     | 213655-4  | O RING 56                  | 1   |     |         |           |        |
| 008  |     | 191D12-9  | MAIN FILTER H SET          | 1   |     |         |           |        |
| 009  |     | 422A84-8  | SUPPORT A                  | 1   |     |         |           |        |
| 010  |     | 231297-2  | COMPRESSION SPRING 9       | 1   |     |         |           |        |
| 011  |     | 459913-6  | PLATE                      | 1   |     |         |           |        |
| 012  |     | 234141-2  | COMPRESSION SPRING 12      | 2   |     |         |           |        |
| 013  |     | 234391-9  | COMPRESSION SPRING 8       | 1   |     |         |           |        |
| 015  |     | 687124-5  | STRAIN RELIEF              | 1   |     |         |           |        |
| 016  |     | 266326-2  | TAPPING SCREW 4X18         | 2   |     |         |           |        |
| 017  |     | 422A83-0  | SUPPORT RING               | 1   |     |         |           |        |
| 018  |     | 347B87-6  | FAN COVER                  | 1   |     |         |           |        |
| 019  |     | 252268-6  | HEX. NUT M6                | 1   |     |         |           |        |
| 020  |     | 253752-4  | FLAT WASHER 8              | 1   |     |         |           |        |
| 021  |     | 240178-9  | FAN 104                    | 1   |     |         |           |        |
| 022  |     | 313062-2  | FLANGE                     | 1   |     |         |           |        |
| 023  |     | 266326-2  | TAPPING SCREW 4X18         | 3   |     |         |           |        |
| 024  |     | 413U78-4  | FAN BASE                   | 1   |     |         |           |        |
| 025  |     | 619835-4  | ROTOR                      | 1   |     |         |           |        |
| 026  |     | 629C56-8  | STATOR                     | 1   |     |         |           |        |
| 027  |     | 1830C1-5  | MOTOR HOUSING SET          | 1   |     |         |           |        |
|      | D10 |           | INC. 28                    |     |     |         |           |        |
| 028  |     | 1830C1-5  | MOTOR HOUSING SET          | 1   |     |         |           |        |
|      | D10 |           | INC. 27                    |     |     |         |           |        |
| 029  |     | 266326-2  | TAPPING SCREW 4X18         | 4   |     |         |           |        |
| 030  |     | 638A29-8  | LEAD UNIT                  | 1   |     |         |           |        |
| 031  |     | 652069-6  | FLAT HEAD SCREW M3X6       | 3   |     |         |           |        |
| 032  |     | 620F39-9  | CONTROLLER B               | 1   |     |         |           |        |
| 033  |     | 266490-9  | TAPPING SCREW PT 2X6       | 3   |     |         |           |        |
| 034  |     | 8143B4-6  | VC012G SERIAL NO. LABEL    | 1   |     |         |           |        |
| 035  |     | 620M52-9  | CONTROLLER                 | 1   |     |         |           |        |
| 036  |     | 632P49-4  | TERMINAL UNIT              | 2   |     |         |           |        |
| 037  |     | 137053-7  | LOWER HOUSING ASSEMBLY     | 1   |     |         |           |        |
|      | C10 | 263005-3  | RUBBER PIN 6               | 2   |     |         |           |        |
|      | C20 | 422A76-7  | REAR BLOCK FILTER          | 1   |     |         |           |        |
| 038  |     | 8143B3-8  | VC012G NAME PLATE          | 1   |     |         |           |        |
| 039  |     | 266326-2  | TAPPING SCREW 4X18         | 11  |     |         |           |        |
| 040  |     | 1830D1-2  | SWITCH CASE SET            | 1   |     |         |           |        |
|      | C10 | 8071N9-5  | SWITCH LABELA              | 1   |     |         |           |        |
|      | C20 | 818F56-3  | SWITCH LABELB              | 1   |     |         |           |        |
|      | D10 |           | INC. 48                    |     |     |         |           |        |
| 041  |     | 140G18-2  | CAP COMPLETE               | 1   |     |         |           |        |
|      | C10 | 213A05-9  | O-RING16                   | 1   |     |         |           |        |
|      | C20 | 818F57-1  | CAP LABEL                  | 1   |     |         |           |        |
| 042  |     | 458714-9  | SWITCH LEVER               | 1   |     |         |           |        |
| 043  |     | 620M48-0  | SWITCH CIRCUIT             | 1   |     |         |           |        |
| 044  |     | 632E26-0  | SWITCH UNIT                | 1   |     |         |           |        |
| 045  |     | 687124-5  | STRAIN RELIEF              | 1   |     |         |           |        |
| 046  |     | 266326-2  | TAPPING SCREW 4X18         | 2   |     |         |           |        |
| 048  |     | 1830D1-2  | SWITCH CASE SET            | 1   |     |         |           |        |
|      | C10 | 8071N9-5  | SWITCH LABELA              | 1   |     |         |           |        |
|      | C20 | 818F56-3  | SWITCH LABELB              | 1   |     |         |           |        |
|      | D10 |           | INC. 40                    |     |     |         |           |        |
| 049  |     | 266130-9  | TAPPING SCREW BIND PT 3X16 | 4   |     |         |           |        |
| 050  |     | 699235-4  | POWER SUPPLY CORD UNIT     | 1   |     |         |           |        |
| 051  |     | 162C95-0  | HARNESS                    | 1   |     |         |           |        |

Z:VC012GZ(N)

Interchange

O : Yes

X : No

&lt; : the new part can be substituted for the current.

&gt; : the current part can be substituted for the new.

S : Interchangeable as a set.

